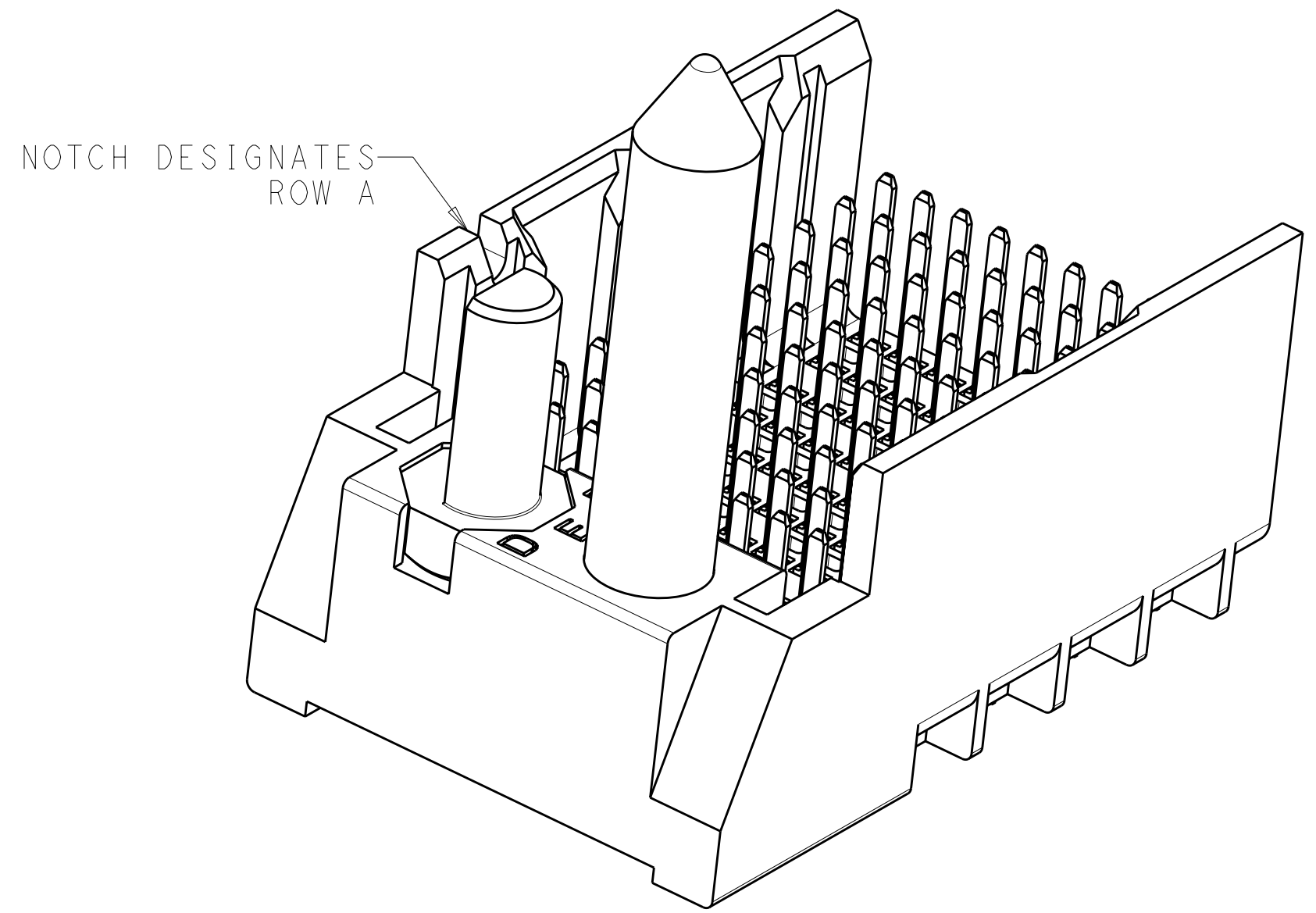
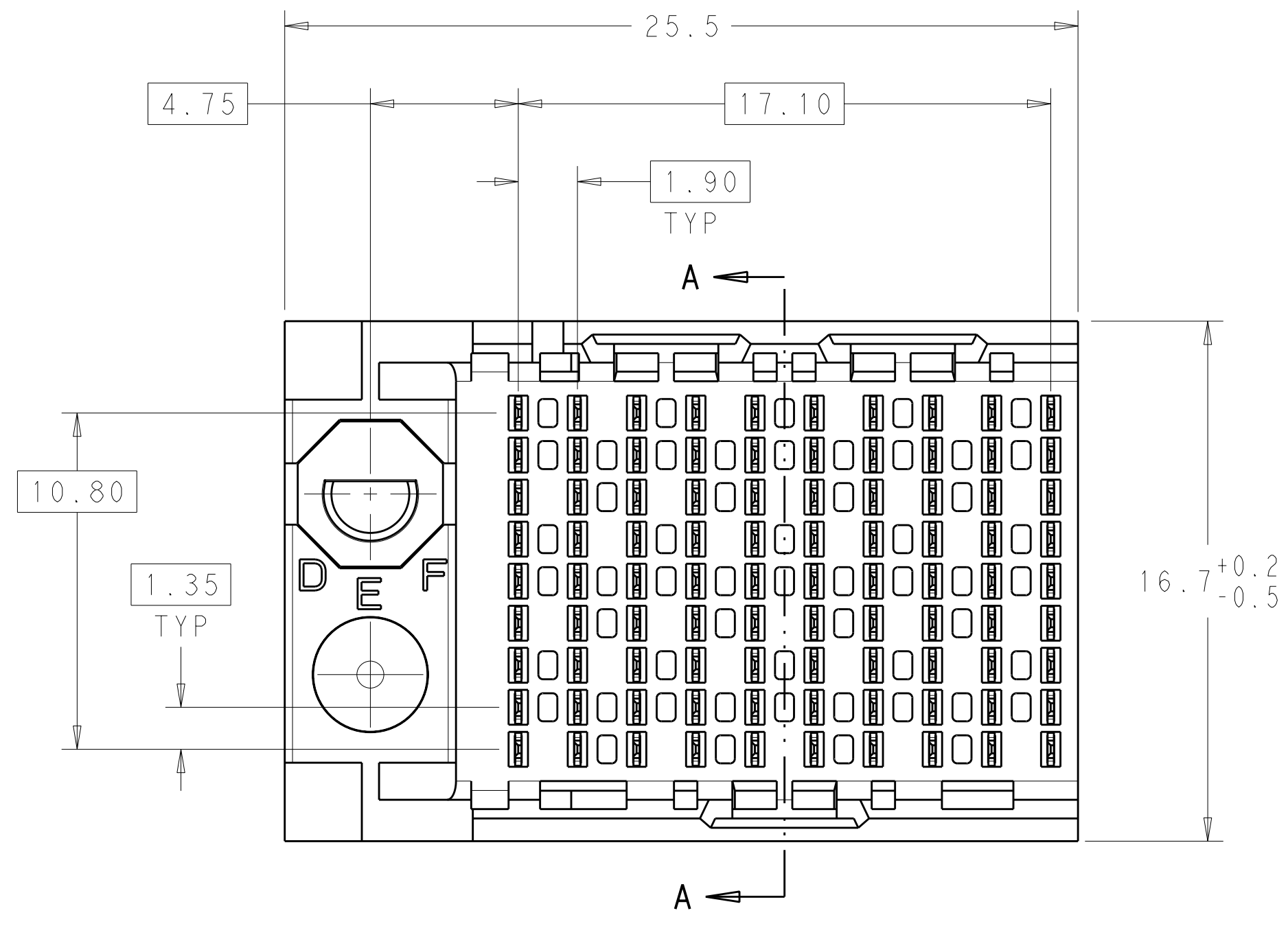
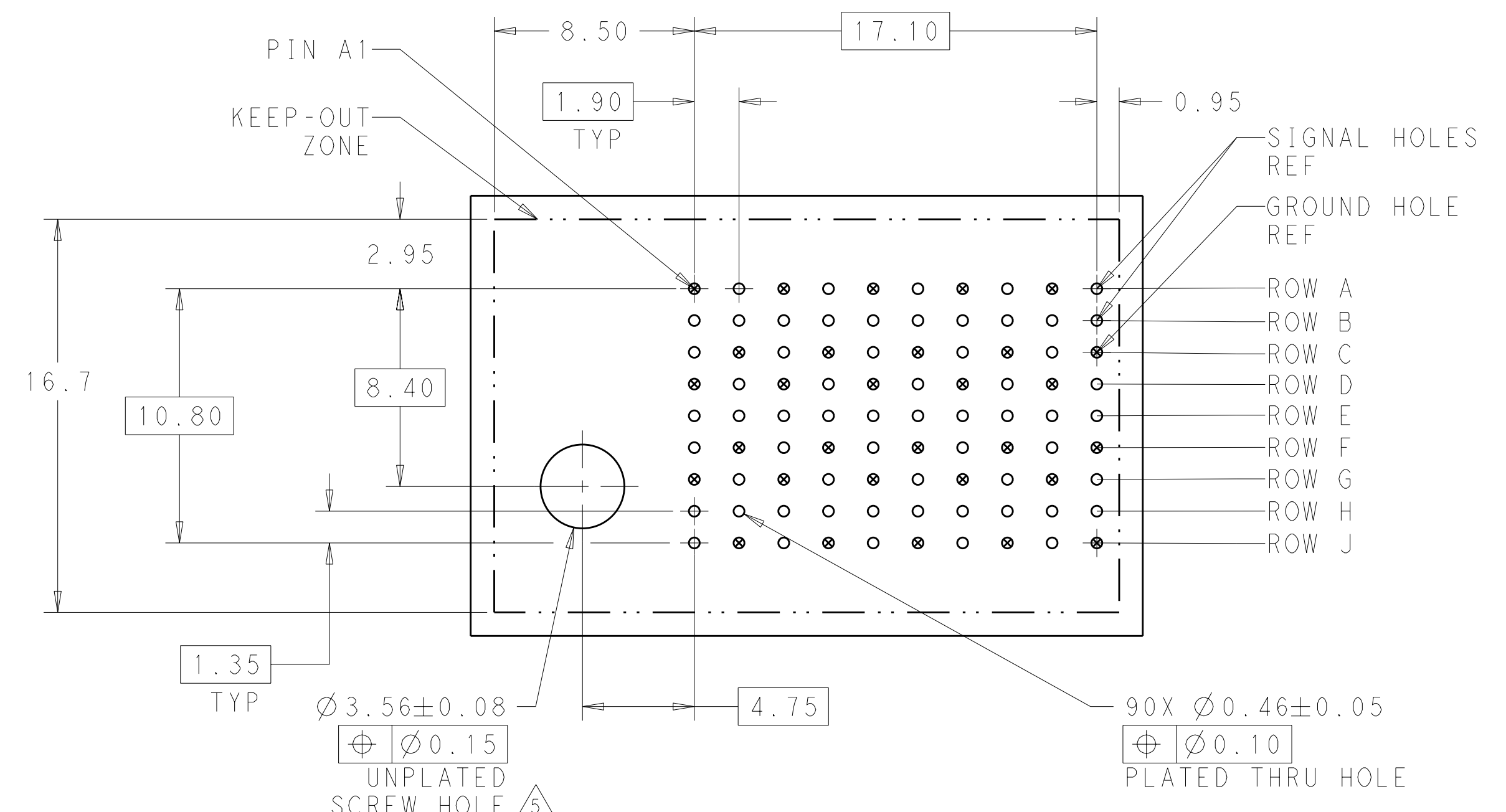


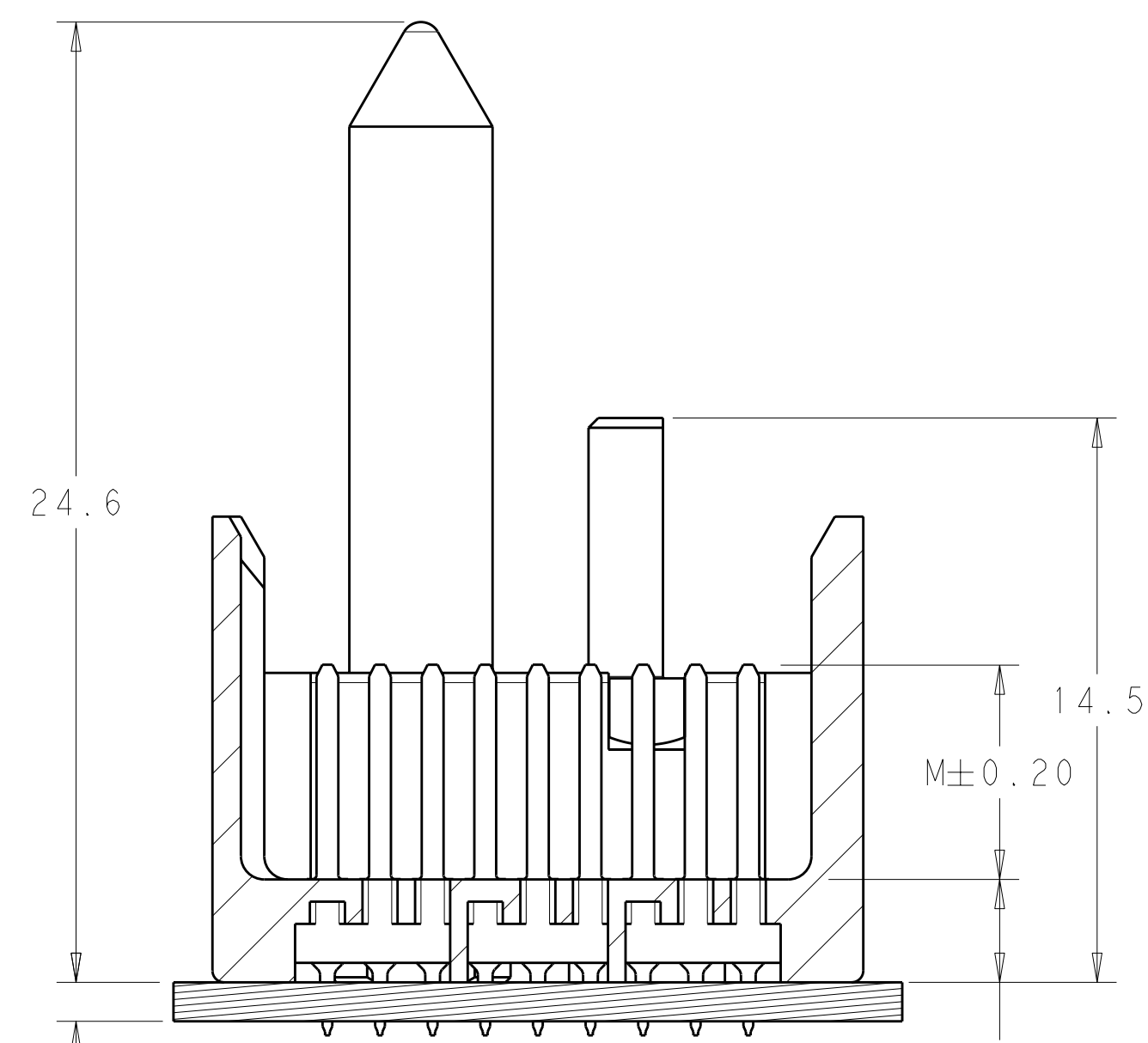
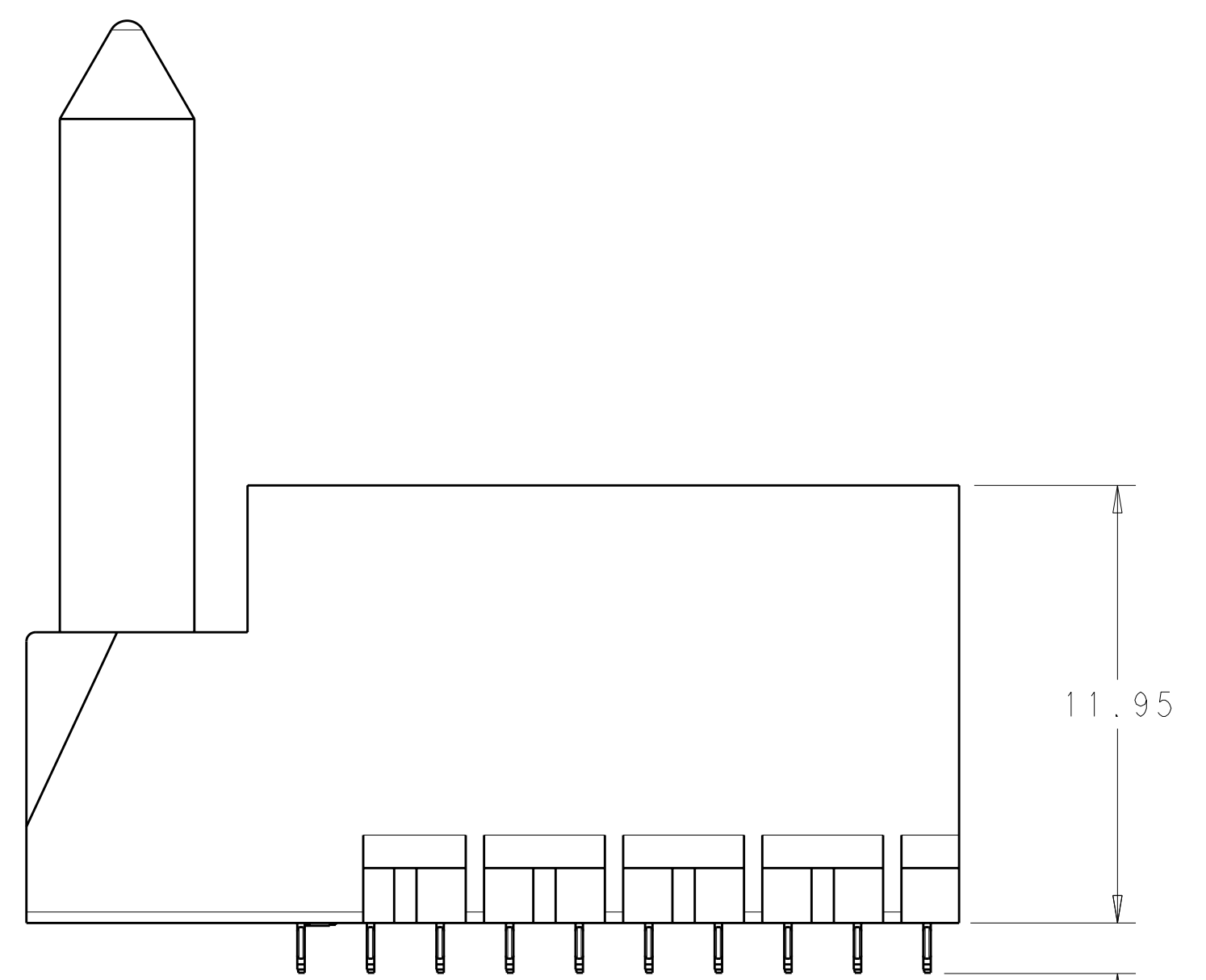
LOC	DIST	REV	DATE	BY	APPD
AD	00	C	22DEC11	KH	DY
REVISIONS			DESCRIPTION	DATE	DWN
C			REVISED PER ECO-11-025276	22DEC11	KH



- 1 MATERIAL:  
HOUSING: LCP, GLASS FILLED, UL94V-0.  
TERMINALS: HIGH PERFORMANCE COPPER ALLOY.
- 2 FINISH:  
30μ" MIN GOLD IN CONTACT AREA. SELECTIVE TIN  
ON PCB TAILS, NICKEL OVERALL.
- 3 FINISH:  
30μ" MIN GOLD IN CONTACT AREA. SELECTIVE TIN-LEAD  
ON PCB TAILS, NICKEL OVERALL.
- 4. SCREWS PACKAGED IN END OF PACKAGING TUBE.
- 5 FOR GROUNDED GUIDE PIN USE  $\varnothing 3.56 \pm 0.08$  PTH,  
 $\varnothing 3.66$  DRILL, AND  $\varnothing 6.5$  PAD.
- 6. KEYING PIN SHOWN IN POSITION A. SEE KEYING CHART  
ON SHEET 2 FOR OTHER POSITIONS.



LEFT GUIDED  
BACKPLANE HOLE PATTERN  
(CONNECTOR SIDE)

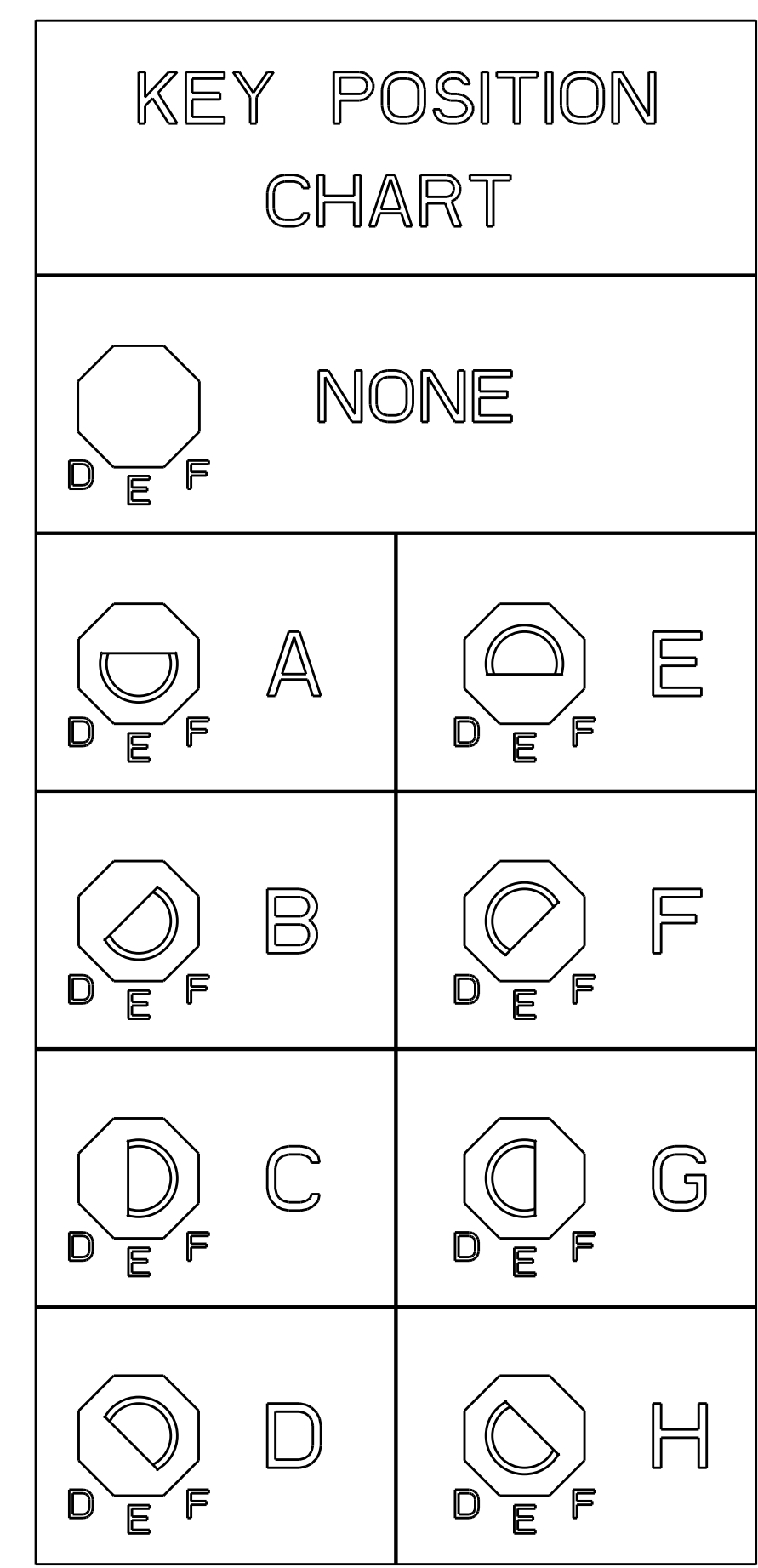


THIS DRAWING IS A CONTROLLED DOCUMENT.		DWN	J. K. SHOBER	22DEC11
DIMENSIONS:		CHK	J. EARY	22DEC11
mm	TOLERANCES UNLESS OTHERWISE SPECIFIED:	APVD	J. EARY	22DEC11
$\varnothing$	9 PLC $\pm$	PRODUCT SPEC	NAME	
$\varnothing$	1 PLC $\pm 0.25$	APPLICATION SPEC	IMPACT, 3 PAIR, 10 COLUMN, HEADER	
$\varnothing$	3 PLC $\pm 0.13$	WEIGHT	LEFT GUIDED, OPEN END WALL	
$\varnothing$	4 PLC $\pm$	CUSTOMER DRAWING	SIGNAL MODULE, 0.46 PTH	
$\varnothing$	ANGLES $\pm$	SCALE	6:1	SHEET 1 OF 2
MATERIAL	FINISH	REV	C	
SEE TABLE	SEE TABLE	SIZE	A100779	C=2007776

LOC		DIST		REVISIONS			
AD	00	P	LTG	DESCRIPTION	DATE	DWN	APVD
		-	-	SEE SHEET 1	-	-	-

3	H	5.5	8-2007776-6
3	H	4.9	8-2007776-5
3	H	4.5	8-2007776-4
2	H	5.5	8-2007776-3
2	H	4.9	8-2007776-2
2	H	4.5	8-2007776-1
3	G	5.5	7-2007776-6
3	G	4.9	7-2007776-5
3	G	4.5	7-2007776-4
2	G	5.5	7-2007776-3
2	G	4.9	7-2007776-2
2	G	4.5	7-2007776-1
3	F	5.5	6-2007776-6
3	F	4.9	6-2007776-5
3	F	4.5	6-2007776-4
2	F	5.5	6-2007776-3
2	F	4.9	6-2007776-2
2	F	4.5	6-2007776-1
3	E	5.5	5-2007776-6
3	E	4.9	5-2007776-5
3	E	4.5	5-2007776-4
2	E	5.5	5-2007776-3
2	E	4.9	5-2007776-2
2	E	4.5	5-2007776-1
3	D	5.5	4-2007776-6
3	D	4.9	4-2007776-5
3	D	4.5	4-2007776-4
2	D	5.5	4-2007776-3
2	D	4.9	4-2007776-2
2	D	4.5	4-2007776-1
3	C	5.5	3-2007776-6
3	C	4.9	3-2007776-5
3	C	4.5	3-2007776-4
2	C	5.5	3-2007776-3
2	C	4.9	3-2007776-2
2	C	4.5	3-2007776-1
3	B	5.5	2-2007776-6
3	B	4.9	2-2007776-5
3	B	4.5	2-2007776-4
2	B	5.5	2-2007776-3
2	B	4.9	2-2007776-2
2	B	4.5	2-2007776-1
3	A	5.5	1-2007776-6
3	A	4.9	1-2007776-5
3	A	4.5	1-2007776-4
2	A	5.5	1-2007776-3
2	A	4.9	1-2007776-2
2	A	4.5	1-2007776-1
3	-	5.5	2007776-6
3	-	4.9	2007776-5
3	-	4.5	2007776-4
2	-	5.5	2007776-3
2	-	4.9	2007776-2
2	-	4.5	2007776-1
FINISH	KEY POSITION	DIM M	PART NUMBER

REFER TO WWW.TE.COM FOR PRODUCT AVAILABILITY



THIS DRAWING IS A CONTROLLED DOCUMENT.		DWN J. K. SHOBER 22DEC11	<b>TE</b> TE Connectivity
DIMENSIONS: mm		CHK J. EBY 22DEC11	
TOLERANCES UNLESS OTHERWISE SPECIFIED:		APVD J. EBY 22DEC11	NAME: IMPACT, 3 PAIR, 10 COLUMN, HEADER LEFT GUIDED, OPEN END WALL SIGNAL MODULE, 0.46 PTH
9 PLC ±0.25 5 PLC ±0.13 4 PLC ± ANGLES ± FINISH SEE TABLE		PRODUCT SPEC	
MATERIAL		APPLICATION SPEC	RESTRICTED TO
		WEIGHT	SIZE CAGE CODE DRAWING NO. A100779C=2007776
		CUSTOMER DRAWING	SCALE 5:1 SHEET 2 OF 2 REV C