



# GE Sensing

A COMMITMENT TO EXCELLENCE

GE Sensing, Crown Industrial Estate, Priorswood Road, Taunton, Somerset, TA2 8QY, UK  
Tel +44 (0) 1823 335200 Fax +44 (0) 1823 332637

<b>TEST SPECIFICATION</b>	PART No. <b>YS5677</b>	ISSUE: A
CUSTOMER: <b>Various</b>	DATE: <b>18<sup>th</sup> December, 2009</b>	QUANTITY:
Customer P/N:	ORIGINATOR: M.J.Roberts	PAGE 1 OF 1

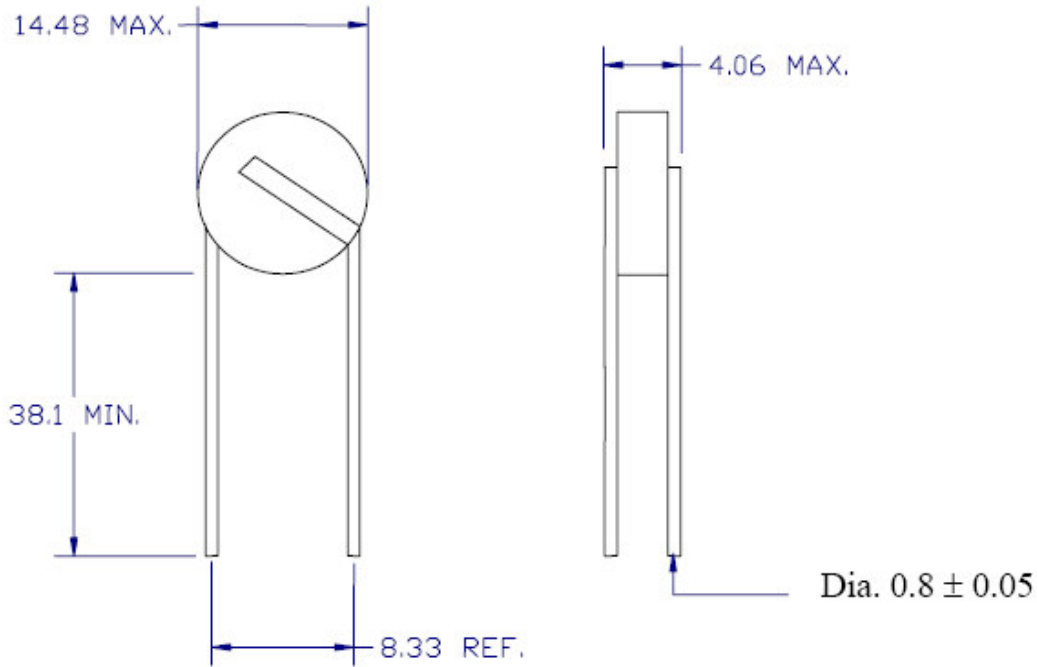
**DESCRIPTION:** PTC THERMISTOR INTENDED FOR USE AS A CURRENT LIMITING PROTECTION DEVICE

## MECHANICAL SPECIFICATION

CONSTRUCTION: BARE CERAMIC DISC. THICK SILVER FILM ELECTRODES  
UNINSULATED LEADWIRES.

TERMINATIONS: STRAIGHT TYPE, TIN COATED COPPER WIRE

DIMENSIONS in mm: SEE DRAWING BELOW.



## ELECTRICAL SPECIFICATION

RESISTANCE AT 25°C, R <sub>25</sub> :	10Ω ± 30%	(1)
SWITCHING TEMPERATURE T <sub>b</sub> :	120°C ± 5°C	(2)
NORMAL OPERATING VOLTAGE:	50Vdc	
MAXIMUM OPERATING VOLTAGE, V <sub>max</sub> :	75Vdc	

### NOTES:

- (1) Measuring Current: 1mA.max
- (2) Resistance – 2 x Resistance minimum

CHANGES SINCE LAST ISSUE: Δ							
Issue :	A						
Date :	18/12/09						