

MODEL:

SR48UBCL

SmartRack™ Premium Co-Location Rack Enclosure



46 Rack Units



3000 lb
Stationary
Load Capacity



2250 lb
Rolling
Load Capacity



Heavy-Duty
Casters



Combination
Locking Doors &
Keylock Side
Panels



Standard
19-inch
Rack Width



Toolless
Mounting Slots



Adjustable
Rails with
Easy-View
Depth Index



Airflow
Exceeds
Server OEM
Requirements



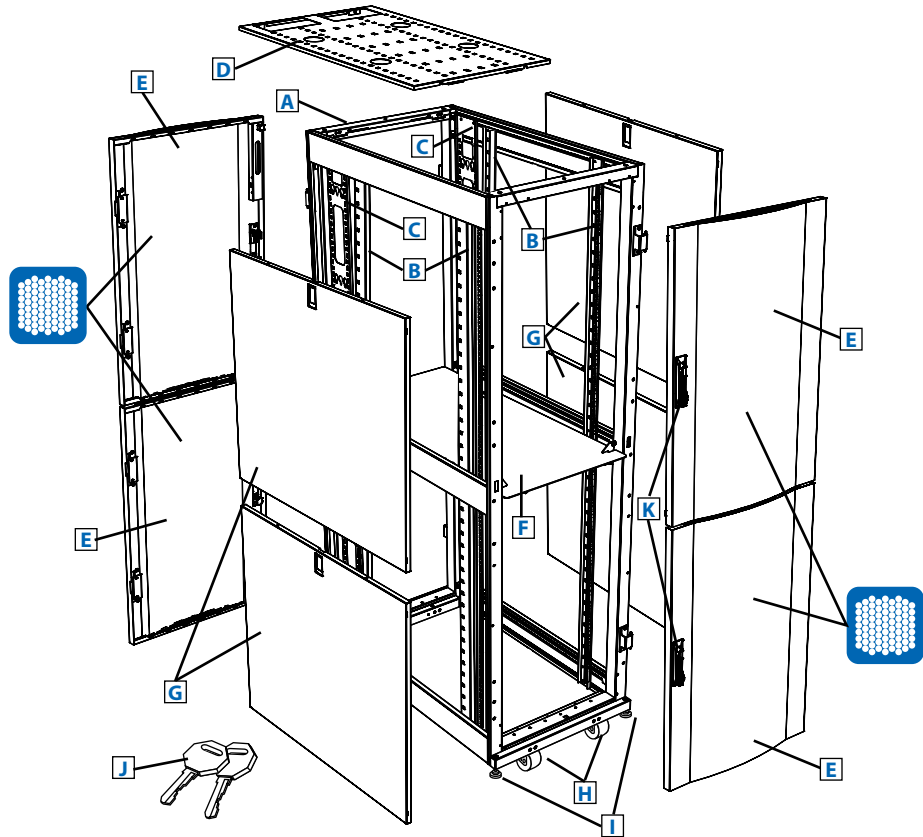
Integrated
Baying Tabs



Square Hole
Mounting

- A** Two Compartment Co-Location Rack
- B** Adjustable Mounting Rails
- C** Adjustable PDU Mounting Rails with Toolless Mounting Slots
- D** Roof Panel (Removable)
- E** Doors (Lockable/Removable/Reversible)
- F** Divider Panel to Split Compartments
- G** Side Panels (Lockable/Removable)
- H** Heavy-Duty Casters
- I** Heavy-Duty Levelers
- J** Keys (For doors and side panels)
- K** Combo Locks

Also Includes: Owner's Manual, 2 shipping/stabilizing brackets and rackmount equipment mounting hardware (50 cage nuts, 50 mounting screws, 50 nylon cup washers).



- Enclosures ship fully assembled for rapid deployment, but can be knocked down for easy reassembly in confined spaces
- Modular design optimized for quick configuration and reconfiguration
- Ideal for rackmount server, network and telecom applications

SEE FOLLOWING PAGES FOR DETAILED UNIT MEASUREMENTS



1111 W. 35th Street
Chicago, IL 60609 USA
773.869.1234
www.tripplite.com

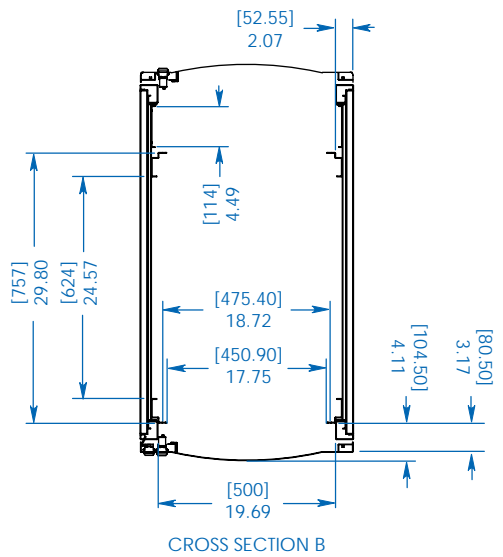
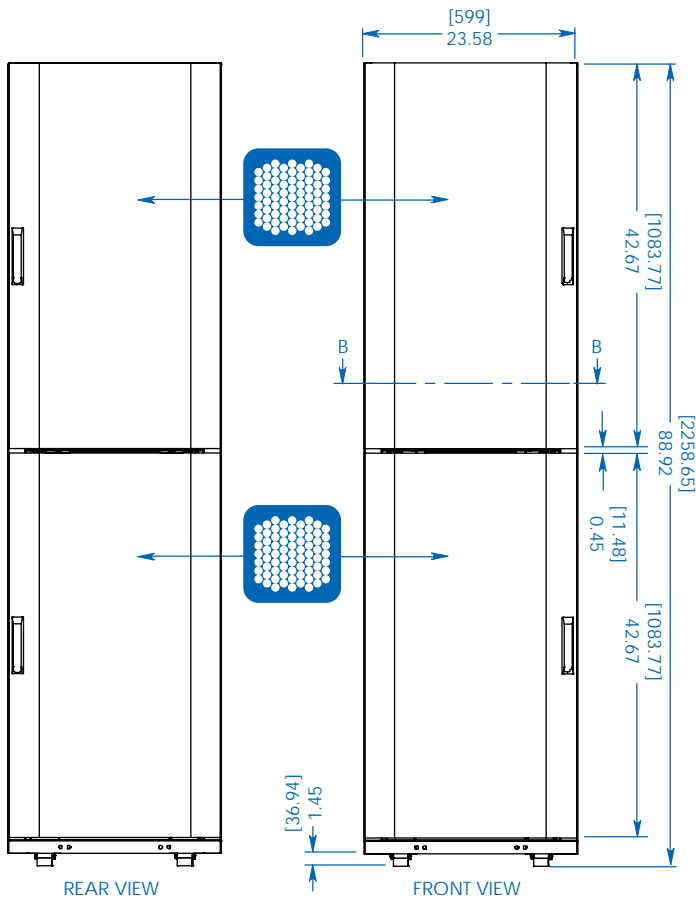
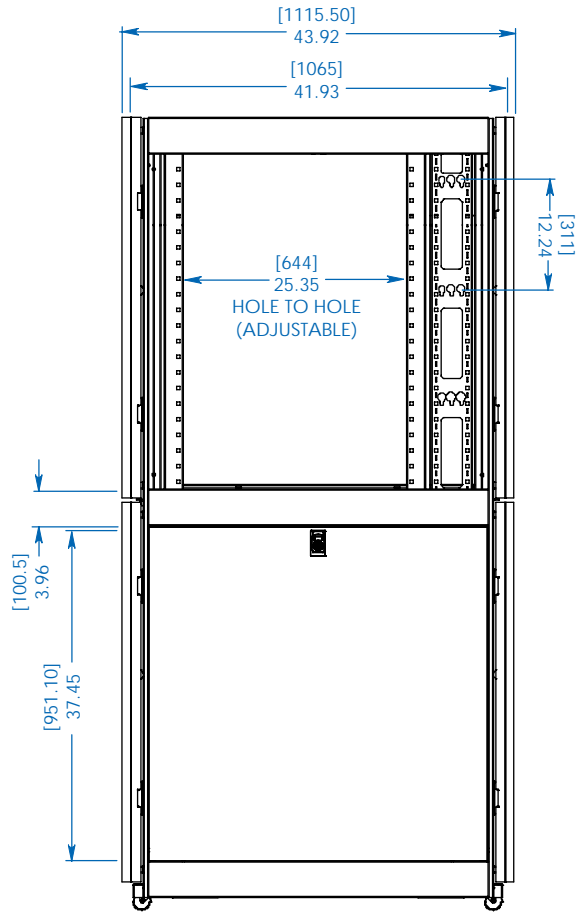
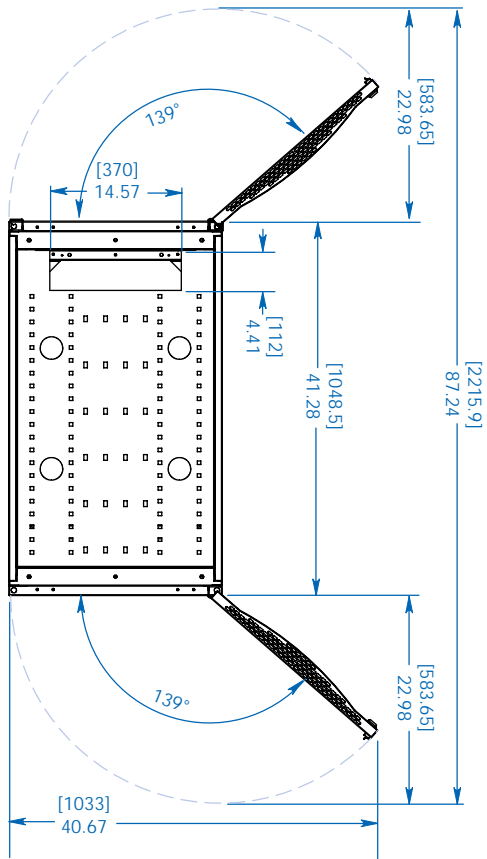
Specifications



Model	SR48UBCL
Rack Spaces	2 compartments @ 23U spaces each
Stationary Load Capacity	3000 lb (1363 kg)
Rolling Load Capacity	2250 lb (1022 kg)
Unit Dimensions (H x W x D)	89 x 23.63 x 43 in (2261 x 600 x 1092 mm)
Shipping Dimensions (H x W x D)	95 x 27.75 x 47 in (2413 x 705 x 1194 mm)
Unit Weight	309 lb (140.5 kg)
Shipping Weight	332 lb (150.9 kg)
Certifications	TIA/EIA-310-D Compliant (Accommodates all standard 19-inch rackmount equipment regardless of vendor)

Tripp Lite has a policy of continuous improvement. Specifications are subject to change without notice.

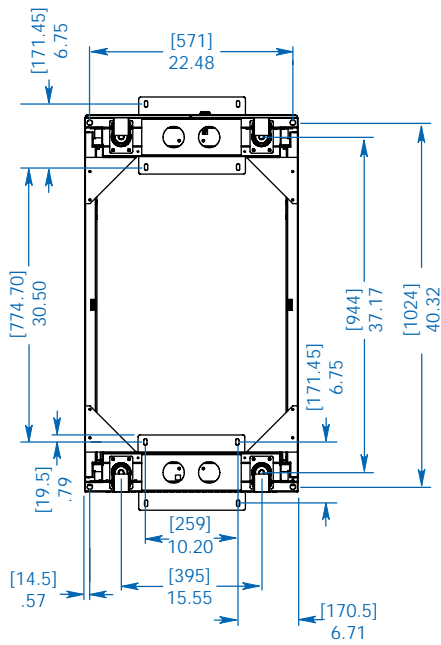
Also Available: Shock pallet models with special packaging to facilitate equipment pre-installation and reshipment to final site. Heavy-duty shock pallet holds up to 1250 lb (568 kg), including the weight of the enclosure and pre-installed equipment. Add "SP1" to model number above to order shock pallet models.



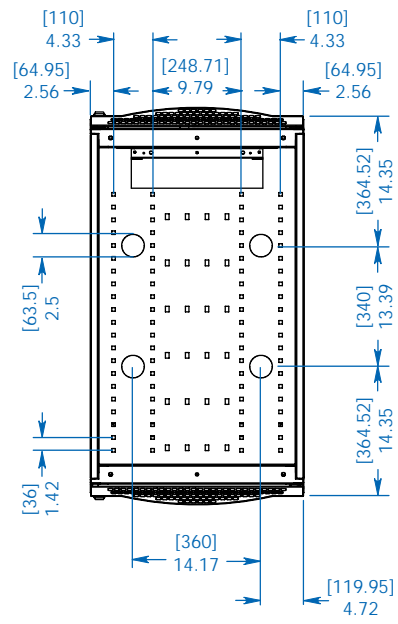
Dimensions: [mm] INCHES

Tripp Lite has a policy of continuous improvement. Specifications are subject to change without notice.

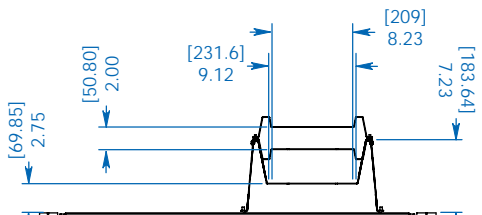
MODEL:
SR48UBCL



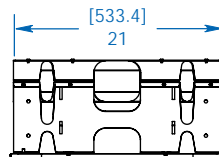
BOTTOM VIEW



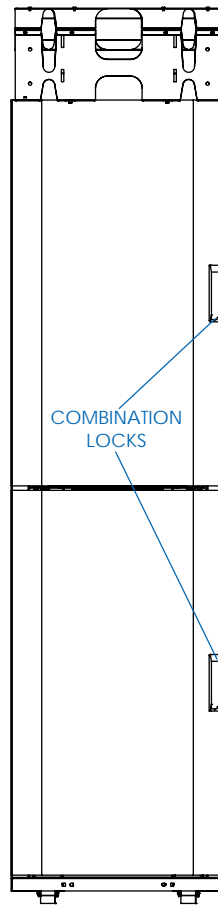
TOP VIEW



LOCKING LATCH



COMBINATION LOCKS



COMBINATION LOCKS

OPTIONAL SRCABLETRAY AND SRCABLETRAYEXP CABLE MANAGEMENT ACCESSORIES SHOWN (MOUNTING POSITION ADJUSTS TO ACCOMMODATE A WIDE RANGE OF APPLICATIONS)

SIDE VIEW

REAR VIEW

FRONT VIEW

Dimensions: [mm] INCHES

Tripp Lite has a policy of continuous improvement. Specifications are subject to change without notice.

MODEL:
SR48UBCL

TRIPP·LITE

1111 W. 35th Street
Chicago, IL 60609 USA
773.869.1234
www.triplite.com