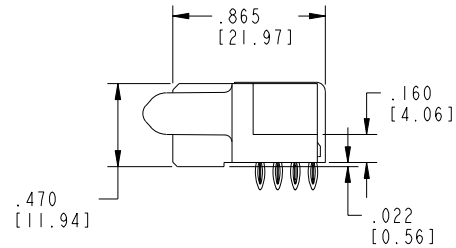
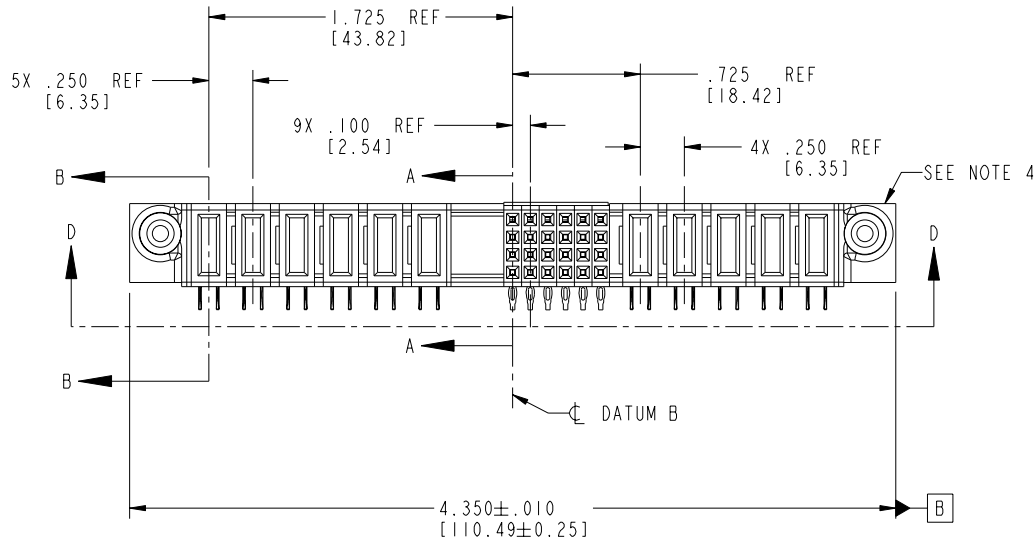
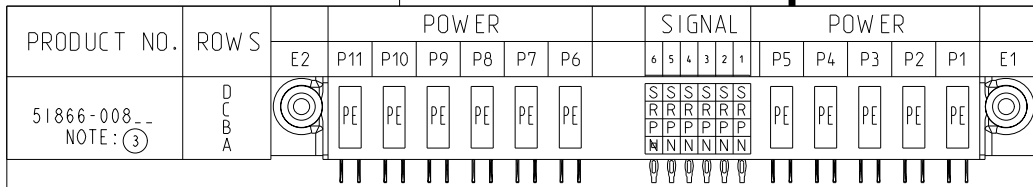


Tous droits strictement réservés. Reproduction ou communication a des tiers interdite sous quelque forme que ce soit sans autorisation écrite du propriétaire. Propriété de c FCI. Droits de reproduction FCI.

All rights strictly reserved. Reproduction or issue to third parties in any form whatever is not permitted without written authority from the proprietor. Property of FCI. Copyright FCI.



CODE	DIM "M" MATING LENGTH	CONTACT TYPE
N	N/A [N/A]	SIGNAL
P	N/A [N/A]	SIGNAL
R	N/A [N/A]	SIGNAL
S	N/A [N/A]	SIGNAL
PE	.042 [1.07]	POWER

mat'l code SEE NOTE 2				tolerances unless otherwise specified		CUSTOMER	
ltr	ecn no.	dr	date	linear	projection	FCI www.fciconnect.com	
A	V12545	JWS	11/29/01	.XX±.01/0.X±0.3	INCH/MM	COPY	
B	DG05-0232	SJ	07/20/05	.XXX±.005/0.XX±0.13	scale	5P + 24S + 1M + 6P R/A PRESS FIT RECEPT.	
				.XXXX±.0020/0.XXX±0.051	1:1	product family PwrBlade code 213	
				angles 0°±2°		size dwg no 51866-008 sheet 1 of 4	
				dr J. SHAFFER 11/29/01			
				enr J. ALLISON 11/29/01			
				chr J. ALLISON 11/29/01			
				appd J. ALLISON 11/29/01			
sheet index	revision	B	B	B	B		
	sheet	1	2	3	4		

cage code 22526 4

PDM: Rev:B

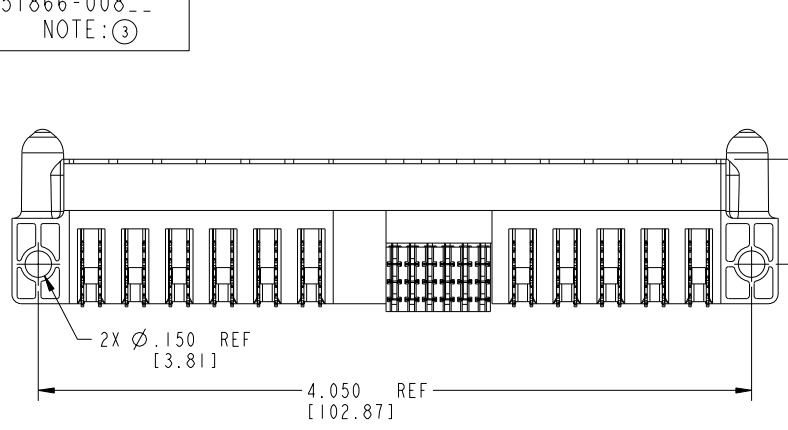
STATUS: Released

Printed: Dec 20, 2010

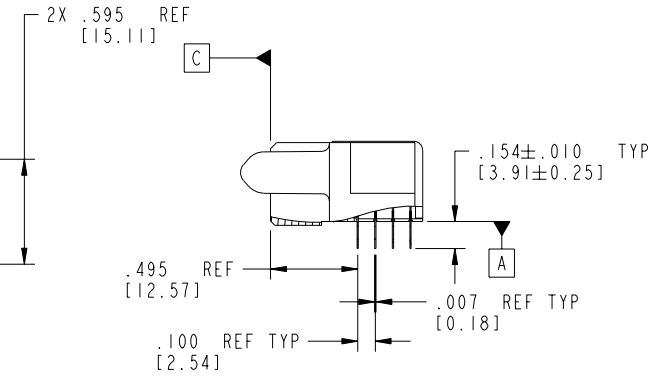
Tous droits strictement réservés. Reproduction ou communication à des tiers interdite sous quelque forme que ce soit sans autorisation écrite du propriétaire. Propriété de FCI. Droits de reproduction FCI.

All rights strictly reserved. Reproduction or issue to third parties in any form whatever is not permitted without written authority from the proprietor. Property of FCI. Copyright FCI.

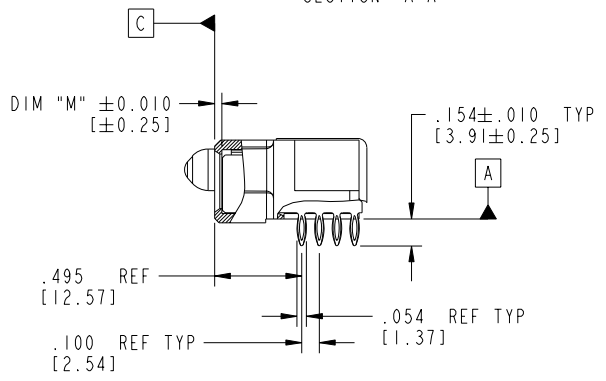
PRODUCT NUMBER
51866-008--
NOTE: (3)



VIEW D-D



SECTION A-A



SECTION B-B

mat'l code		SEE NOTE 2		tolerances unless otherwise specified		CUSTOMER		 www.fciconnect.com	
ltr	ecn no.	dr	date	linear	.XX±.01/0.X±0.3	COPY		title	
B					.XXX±.005/0.XX±0.13	projection		5P + 24S + 1M + 6P	
				angles	.XXX±.0020/0.XXX±0.051			R/A PRESS FIT RECEPT.	
				dr	0°±2°	INCH/MM		product family	
				enr	J. SHAFFER 11/29/01	scale		PwrBlade	
				chr	J. ALLISON 11/29/01	1:1		code	
				appd	J. ALLISON 11/29/01			213	
sheet index	revision sheet							sheet	
								2 of 4	

cage code 22526

Pro/E

PDM: Rev:B

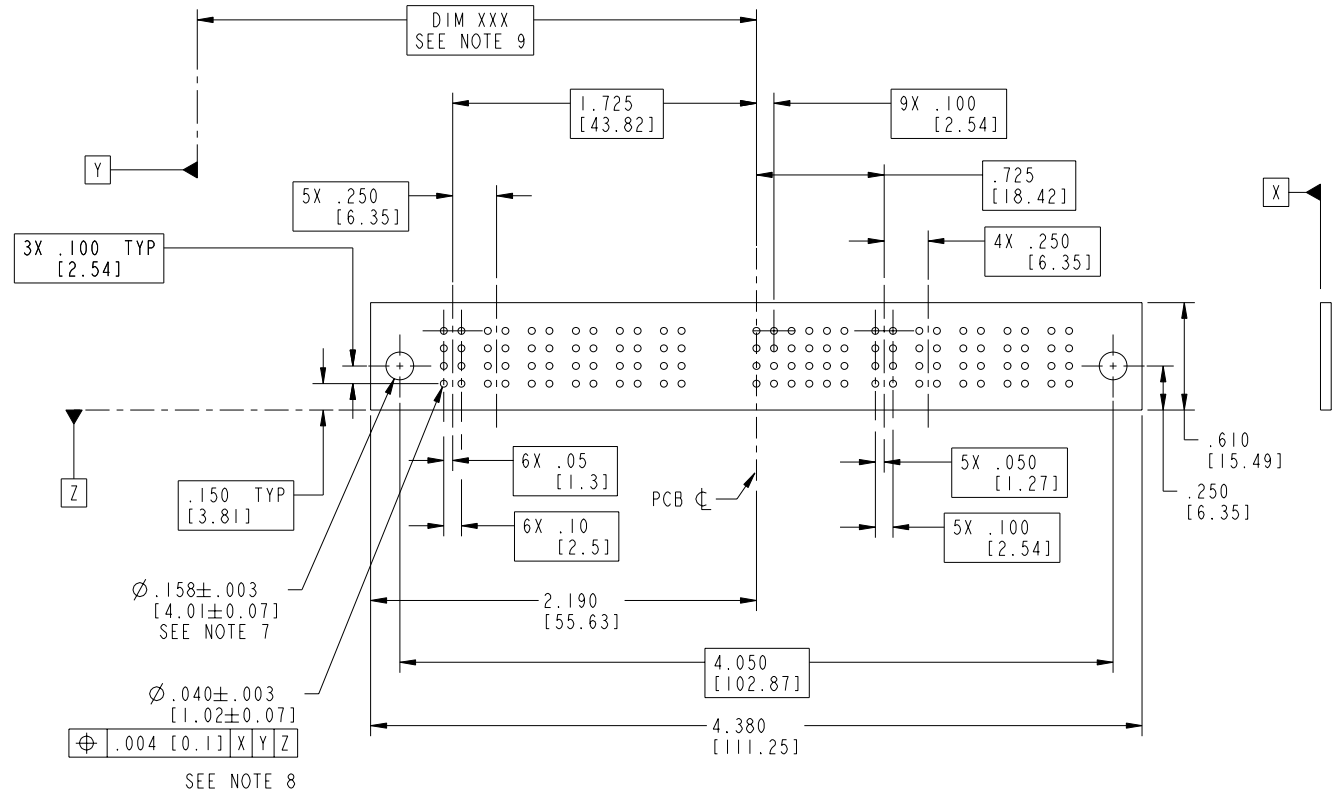
STATUS: Released

Printed: Dec 20, 2010

Tous droits strictement réservés. Reproduction ou communication a des tiers interdite sous quelque forme que ce soit sans autorisation écrite du propriétaire. Propriété de c FCI. Droits de reproduction FCI.

All rights strictly reserved. Reproduction or issue to third parties in any form whatever is not permitted without written authority from the proprietor. Property of FCI. Copyright FCI.

PRODUCT NUMBER
51866-008_-
NOTE: ③



SEE NOTE 8

⊕	.004	[0.1]	X	Y	Z
---	------	-------	---	---	---

mat'l code		SEE NOTE 2		tolerances unless otherwise specified		CUSTOMER		 www.fciconnect.com	
ltr	ecn no.	dr	date	linear	.XX±.01/0.X±0.3	COPY		projection	
B				angles	.XXX±.005/0.XX±0.13	INCH/MM		title 5P + 24S + 1M + 6P R/A PRESS FIT RECEPT.	
				dr	.XXXX±.0020/0.XXX±0.051	scale 1:1		product family PwrBlade code 213	
				enrg	0°±2°	A		size dwg no 51866-008 sheet 3 of 4	
				chr					
				appd					
sheet index	revision sheet								
								cage code 22526	

Pro/E

PDM: Rev:B

STATUS: Released

Printed: Dec 20, 2010

Tous droits strictement réservés. Reproduction ou communication à des tiers interdite sous quelque forme que ce soit sans autorisation écrite du propriétaire. Propriété de c FCI. Droits de reproduction FCI.

A
FCI

All rights strictly reserved. Reproduction or issue to third parties in any form whatever is not permitted without written authority from the proprietor. Property of FCI. Copyright FCI.

B

PRODUCT NUMBER
51866-008_-
NOTE: ③

NOTES:

1. DIMENSIONS AND TOLERANCES ARE IN ACCORDANCE WITH ASME Y14.5M, 1994 UNLESS OTHERWISE SPECIFIED.

CONNECTORS NOTES:

② HOUSING MATERIAL: UL 94 V-0 GLASS FILLED HIGH TEMP THERMO PLASTIC
POWER CONTACT MATERIAL: COPPER ALLOY
SIGNAL PIN MATERIAL: COPPER ALLOY

③ PLATING:

51866-008 Singal Pin: 30u"/0.76um Au OVER 50u"/1.27um Ni ON THE CONTACT AREA,
AND 100u"/2.54um SnPb PLATING OVER 50u"/1.27um Ni ON THE TERMINATION SECTION.
Power Pin: 30u"/0.76um Au OVER 50u"/1.27um Ni ON THE CONTACT AREA,
AND 100u"/2.54um SnPb PLATING OVER 50u"/1.27um Ni ON THE TERMINATION SECTION.

51866-008LF Singal Pin: 30u"/0.76um Au OVER 50u"/1.27um Ni ON THE CONTACT AREA,
AND 78u"/2.00um Sn PLATING OVER 50u"/1.27um Ni ON THE TERMINATION SECTION.
Power Pin: 30u"/0.76um Au OVER 50u"/1.27um Ni ON THE CONTACT AREA,
AND 78u"/2.00um Sn PLATING OVER 50u"/1.27um Ni ON THE TERMINATION SECTION.

PART NUMBER 51866-008LF MEETS EUROPEAN UNION DIRECTIVE AND OTHER COUNTRY REGULATIONS AS DESCRIBED IN GS-22-008.

THE HOUSING WILL WITHSTAND EXPOSURE TO 260° PEAK TEMPERATURE FOR 10 SECONDS IN A WAVE SOLDER APPLICATION WITH A CIRCUIT BOARD.

④ "MANUFACTURER" NAME, P/N, AND DATE CODE TO APPEAR ON THIS SURFACE.

⑤ PRODUCT SPECIFICATION GS-12-149.

PCB - NOTES:

⑥ ALL HOLE DIAMETERS ARE FINISHED HOLE SIZE.

7. HOLD DOWN THROUGH HOLES ARE UNPLATED.

8. $\varnothing .0453 \pm 0.0010$ [1.151 \pm 0.025] DRILLED HOLES PLATED WITH 0.0003 [0.008] MIN SnPb OVER .001 [0.03] TO .003 [0.08] Cu PLATING TO ACHIEVE $\varnothing .040 \pm .003$ [1.02 \pm .07] HOLE.

9. "DIM XXX" TO BE DETERMINED BY THE CUSTOMER.

10. USE FCI CAM TOOL 430140-XXX TO APPLY CONNECTOR TO PCB.

mat'l code				SEE NOTE 2		tolerances unless otherwise specified		CUSTOMER		A FCI www.fciconnect.com	
ltr	ecn no.	dr	date	linear	.XX+ .01/0.X+0.3	COPY		projection		title 5P + 24S + 1M + 6P R/A PRESS FIT RECEPT.	
B				angles	.XXX+ .005/0.XX+0.13	INCH/MM		product family PwrBlade		code 213	
				dr	XXXX+ .0020/0.XXX+0.051	scale 1:1		size		sheet 4 of 4	
				enrg	0° ± 2°			A		51866-008	
				chr	J. SHAFFER 11/29/01						
				appd	J. ALLISON 11/29/01						
					J. ALLISON 11/29/01						
sheet index	revision sheet										

cage code 22526 4

PDM: Rev:B

STATUS: Released

Printed: Dec 20, 2010