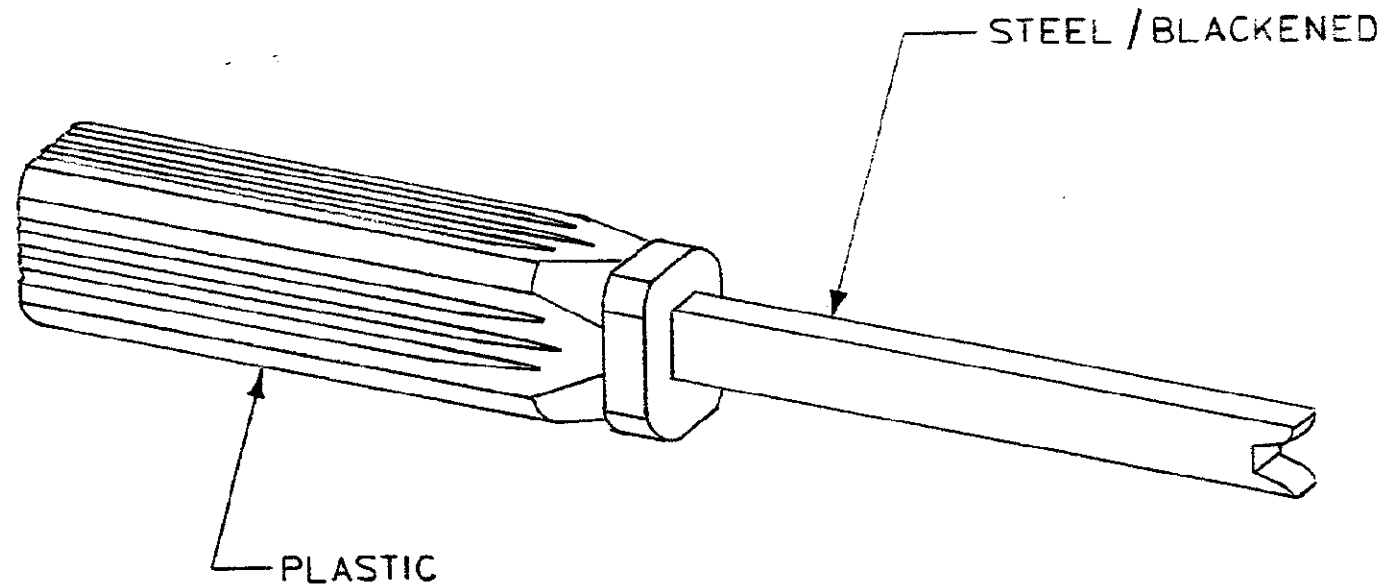



TOOL NUMBER	EXTRACTS	TERMINAL NUMBER	FROM	HOUSING NUMBER
274186-1		62243		360051-1
		62244		360052-1
		62324		
		62325		



DIMENSIONS IN INCHES. DO NOT SCALE PRINT.

REVISION RECORD				NUMBER	DESCRIPTION	DWG SIZE	NUMBER	NAME	REMARKS	ITEM NO
LTR	DR	CHK	DATE							

© 1975 BY AMP INCORPORATED. ALL RIGHTS RESERVED. AMP PRODUCTS COVERED BY PATENTS AND/OR PATENTS PENDING.						CUSTOMER COPY REFERENCE ONLY	
DR	WK 5/12/75		MATERIAL AND FINISH		SEE NOTES		 AMP INCORPORATED HARRISBURG, PENNA.
CHK							
DE	W.M. KISSINGER		WIRE - RANGE - INSULATION		TYPE		CLASS
APP	1/13/75				RECEPTACLE		CLUSTER PIN
TOLERANCE EXCEPT AS NOTED		SCALE	LOC	NO	REV		
± .015		± 1° 0'	N.T.S.	B	274186	0	
NAME TOOL, EXTRACTION							

D
C
B
A