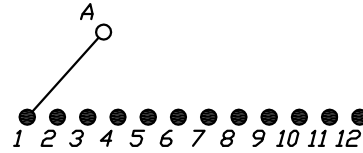
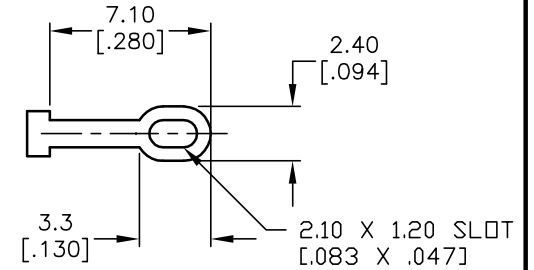


NOTES:

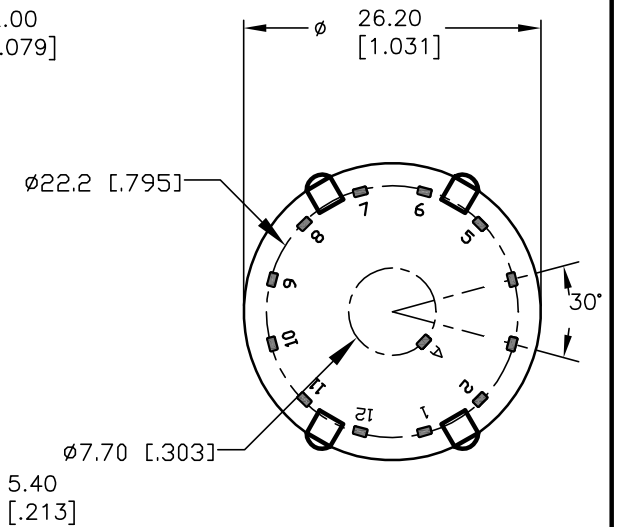
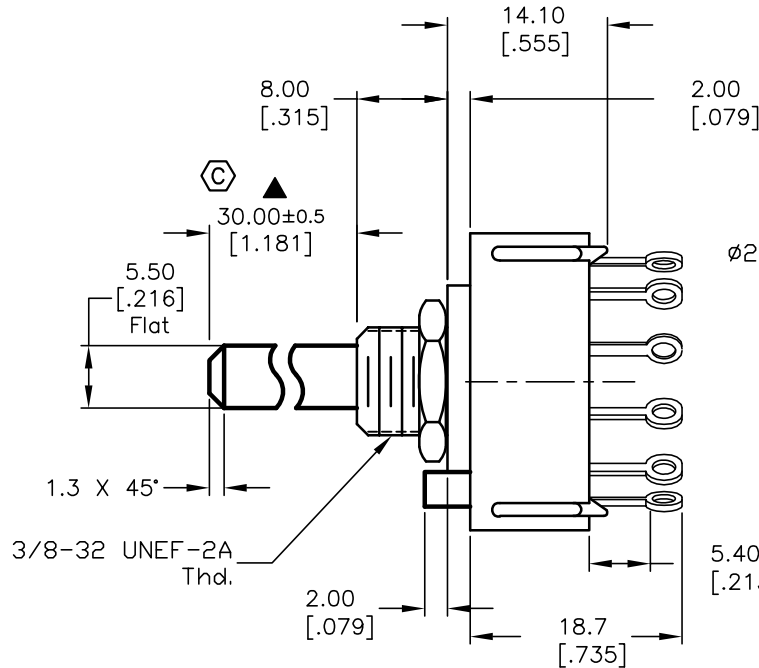
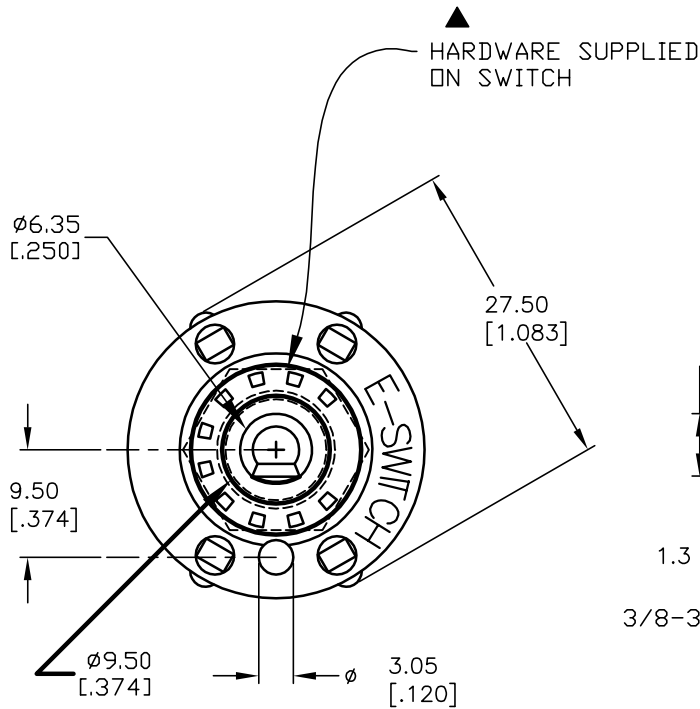
1. ALL DIMENSION IN MM [INCH]
2. GENERAL TOLERANCE: X.X=±0.4  
X.XX=±0.25
3. TERM. NOS. FOR REF. ONLY
4. CONTACT RATING SWITCHING: 150mA, 250V AC/DC  
350mA, 110V AC/DC
5. CONTACT RATING (NON-SWITCHING) 5A
6. OPERATING FORCE: 425±100 CM/STANDARD
7. OPERATING TEMP: -30° to 85°C
- ▲ 8. CIRCUIT SP: 12 POSITIONS, 30° INDEX.
- ▲ 9. DIELECTRIC STRENGTH 1000V RMS min. @ SEA LEVEL
- ▲ 10. DESIGNATE MAJOR DIMENSIONS
- ▲ 11. HARDWARE SUPPLIED ON SWITCH- SEE BELOW  
LOCKWASHER, & HEXNUT



CONTACT CONFIGURATION  
Timing: SHORTING



TERMINAL DETAIL  
SCALE 2X



C	13720	CORRECT ACTUATOR LENGTH	1/20/04	AR
B	12821	REVISED NOTE 11	3/4/03	CJB
A	112XX	RELEASED FOR PRODUCTION	3/6/01	CJB
REV.	ECN No.	DESCRIPTION	DATE	CHKD

THE INFORMATION CONTAINED IN THIS DOCUMENT IS PROPRIETARY TO E-SWITCH AND IS NOT TO BE COPIED OR TRANSFERRED

**E-SWITCH®**

TITLE

KC52A30.001SLS

SCALE

1.5:1

DATE

3/6/01

DR

CJB

DWG

G510340

REV

C