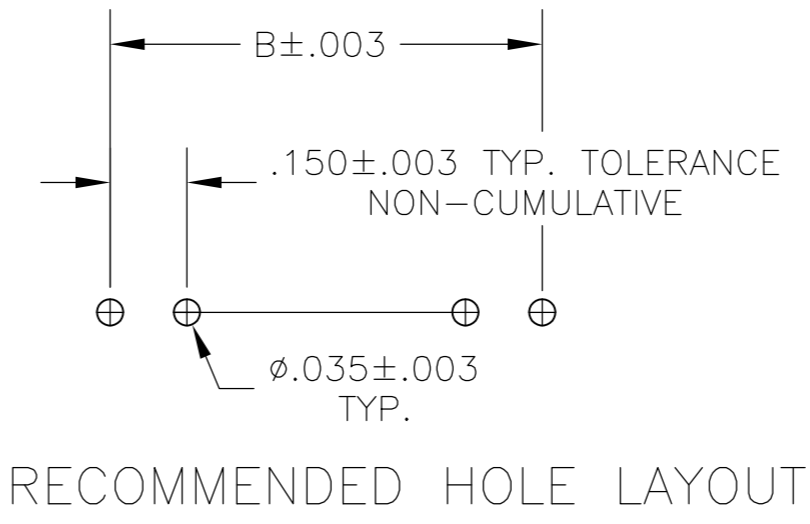
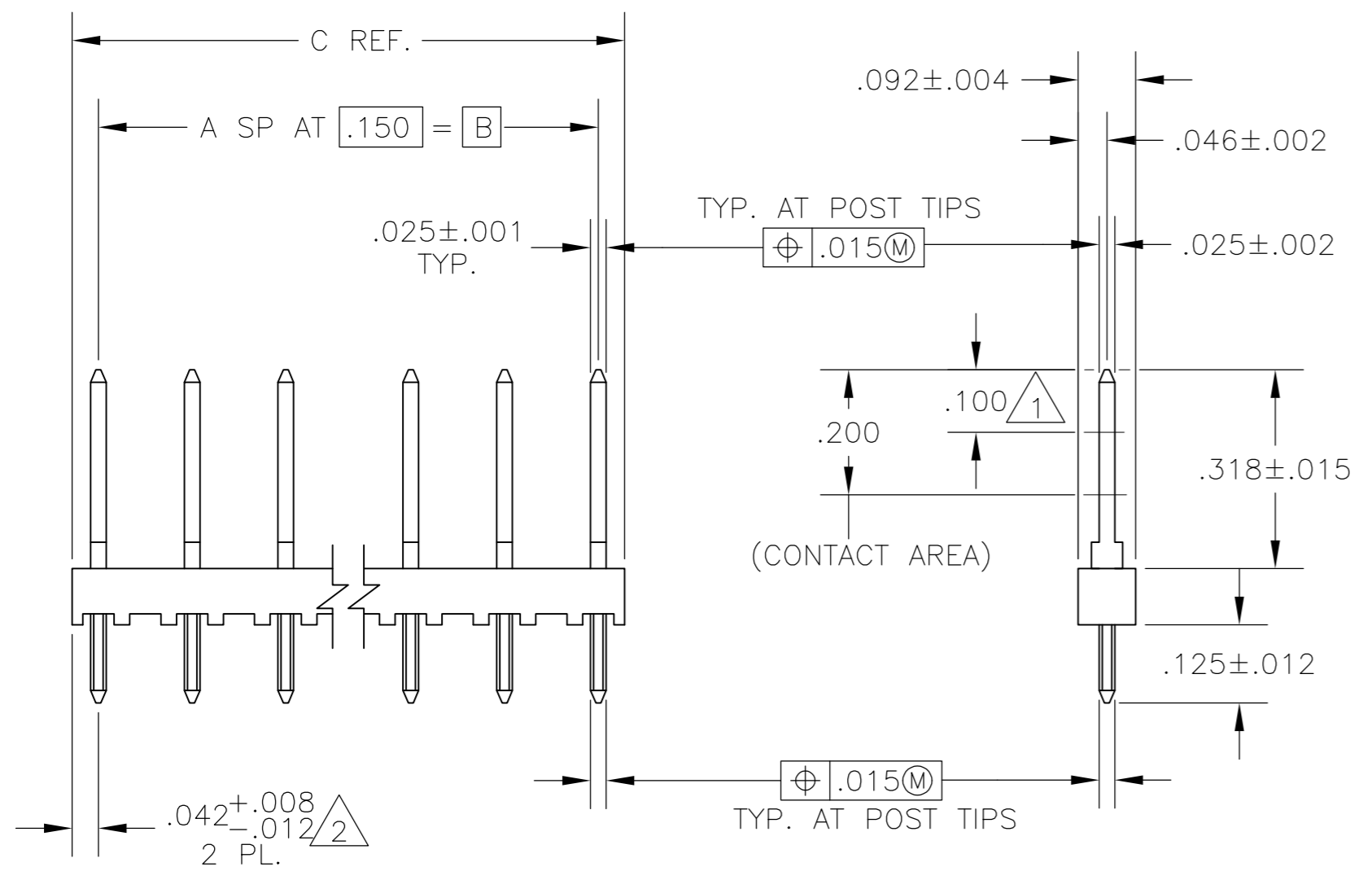


THIS DRAWING IS UNPUBLISHED. RELEASED FOR PUBLICATION
 © COPYRIGHT - By - ALL RIGHTS RESERVED.

LOC	DIST	REVISIONS			
P	LTR	DESCRIPTION	DATE	DWN	APVD
AD	39	K2	REVISED PER ECO-11-004820	11MAR11	RK HMR



- 1 POINT OF MEASUREMENT FOR PLATING THICKNESS.
- 2 THE NOTED DIMENSION APPLY FROM THE BASIC DIMENSION LINE (NOT THE POST CENTERLINE) TO THE SURFACE INDICATED.
- 3 TRUE POSITION TOLERANCE OF THE POST TIPS APPLIES WHEN THE HEADERS ARE HELD FLAT AGAINST THE PRINTED CIRCUIT BOARD.
- 4 OBSOLETE PARTS: OBSOLETE CIS STREAMLINING PER D.RENAUD/D.SINISI

4	DESCRIPTION	3.984	3.900	26	27	-2-87221-6
	OBSOLETE	3.834	3.750	25	26	2-87221-5
	OBSOLETE	3.684	3.600	24	25	2-87221-4
	OBSOLETE	3.534	3.450	23	24	2-87221-3
	OBSOLETE	3.384	3.300	22	23	2-87221-2
	OBSOLETE	3.234	3.150	21	22	2-87221-1
	OBSOLETE	3.084	3.000	20	21	2-87221-0
	OBSOLETE	2.934	2.850	19	20	1-87221-9
	OBSOLETE	2.784	2.700	18	19	1-87221-8
	OBSOLETE	2.634	2.550	17	18	1-87221-7
	OBSOLETE	2.484	2.400	16	17	1-87221-6
	OBSOLETE	2.334	2.250	15	16	1-87221-5
	OBSOLETE	2.184	2.100	14	15	1-87221-4
	OBSOLETE	2.034	1.950	13	14	1-87221-3
	OBSOLETE	1.884	1.800	12	13	1-87221-2
	OBSOLETE	1.734	1.650	11	12	1-87221-1
		1.584	1.500	10	11	1-87221-0
	OBSOLETE	1.434	1.350	9	10	87221-9
	OBSOLETE	1.284	1.200	8	9	87221-8
	OBSOLETE	1.134	1.050	7	8	87221-7
		.984	.900	6	7	87221-6
		.834	.750	5	6	87221-5
	OBSOLETE	.684	.600	4	5	87221-4
		.534	.450	3	4	87221-3
		.384	.300	2	3	87221-2
	OBSOLETE	.234	.150	1	2	87221-1
		C	B	A	NO OF POS	PART NO.

THIS DRAWING IS A CONTROLLED DOCUMENT.		DWN	L. RINGLEY	10-18-85	 TE Connectivity
DIMENSIONS: INCHES		CHK	T. ZOLA	10-28-85	
TOLERANCES UNLESS OTHERWISE SPECIFIED:		APVD	T. ZOLA	10-28-85	
0 PLC ± - 1 PLC ± - 2 PLC ± - 3 PLC ± .005 4 PLC ± - ANGLES ± -		NAME		ASSEMBLY, MOD II, SINGLE ROW, .150 CL. VERTICAL	
MATERIAL: HOUSING-FLAME RETARDENT THERMOPLASTIC, COLOR-BLACK		FINISH: POSTS-.000030 GOLD ON CONTACT AREA, GOLD FLASH ON SOLDER AREA, ALL OVER .000050 NICKEL		SIZE	A2
		WEIGHT		CAGE CODE	00779
		CUSTOMER DRAWING		DRAWING NO	C=87221
				RESTRICTED TO	-
				SCALE	4:1
				SHEET	1 OF 1
				REV	K2