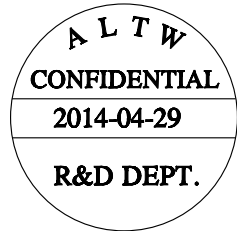
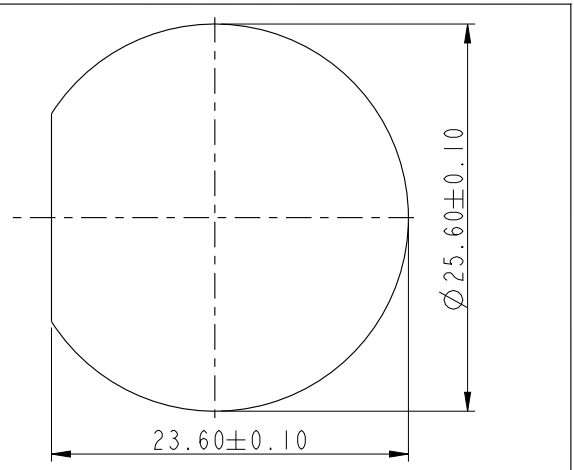
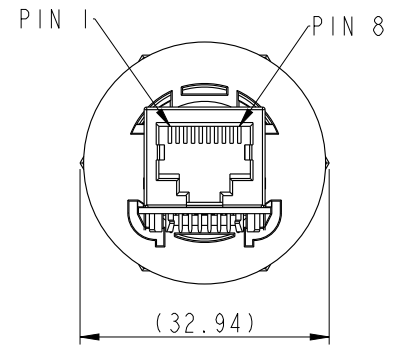
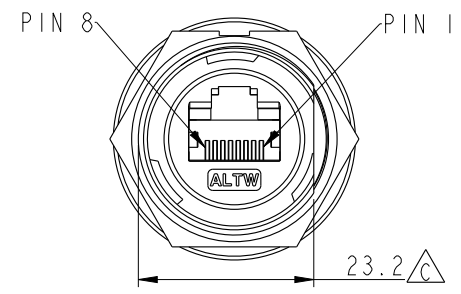
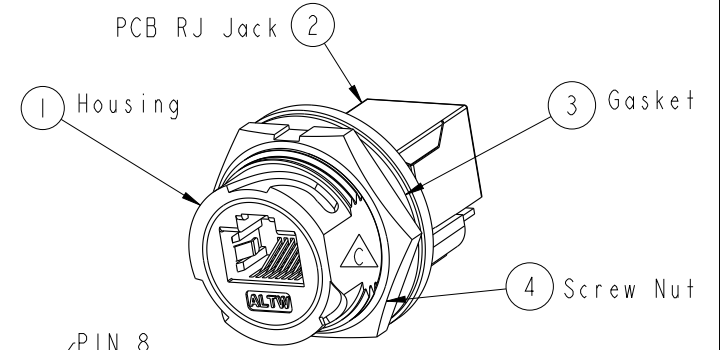
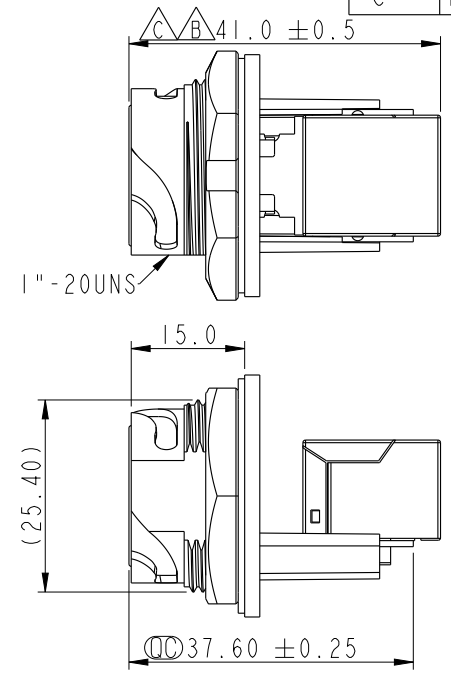


THIS DOCUMENT IS SUBJECT TO CHANGE WITHOUT NOTICE. IT IS CONFIDENTIAL AND A PROPERTY OF AMPHENOL LTW. DISCLOSURE TO THIRD PARTY HAS TO BE AUTHORIZED BY AMPHENOL LTW.

REV.	ECN NO.	DATE	SIGN	DESCRIPTION
B	LEN13C0059	2013-12-13	Laurence	Modify Total Length
C	LEN1450019	2014-04-29	Tom_gu	Change D Cut



- Note:
- * \varnothing Important Dimension
 - * Waterproof Rate : IP67
 - * Housing : Nylon+GF, BLACK
 - * Screw Nut : Nylon+GF, BLACK
 - * Gasket : Silicone, UL 94V-0, Gray.
 - * PCB: FR-4
 - * Jack : PBT Polyester UL 94V-0
 - * Panel Thickness Max: 3.0mm
 - * Screw torsion value range: 8~15kgf-cm

UNIT : mm		
TOLERANCE		
.X	±0.25	
.XX	±0.1	
.XXX	±0.05	
ANGLES	±1°	

TITLE RJ45, D SIZE, WATERPROOF			
SCALE 1:1	SIZE A4	SHEET 1 OF 1	
REV. C	WC-REV. B.3	\varnothing : Inspection item	

Amphenol LTW
安費諾亮泰企業股份有限公司

ITEM NO. RDP-5SPFFH-TCU7001	DRAWN BY Tom_gu	DATE 2014-04-29
DWG NO. RDP-5SPFFH-TCU7001	CHECKED BY Tony	DATE 2014-04-29
CUSTOMER ALTW	APPROVED BY Victor	DATE 2014-04-29