

REVISIONS		
LTR	DESCRIPTION	DATE
F	REVISED PER ECO-11-021852	10/30/2011

**NOTES**

- ALL DIMENSIONS ARE IN  $\frac{\text{INCHES}}{\text{[MILLIMETERS]}}$
- DIMENSIONS APPEARING IN TABLE ARE AS FOLLOWS:
  - a - AS SUPPLIED
  - b - AFTER UNRESTRICTED RECOVERY

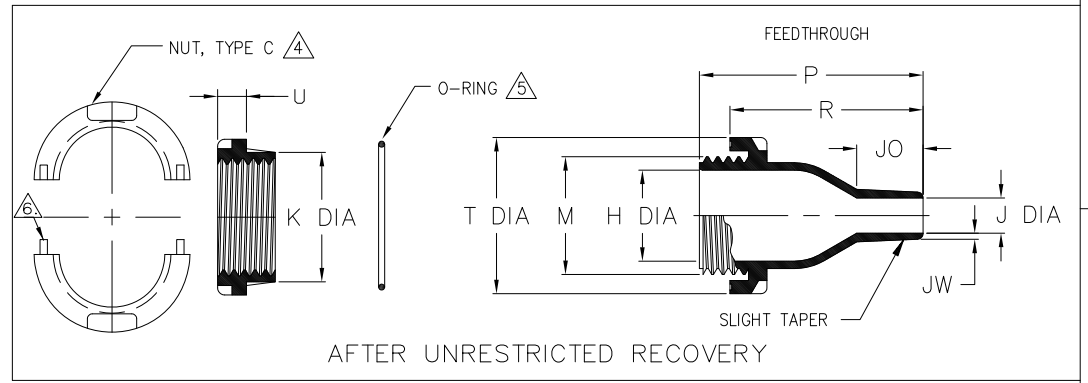
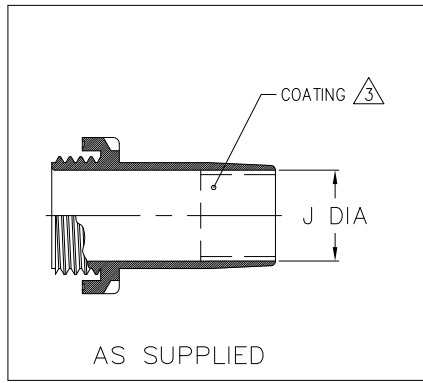
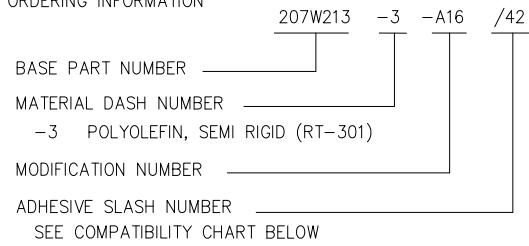
3. COATING (ADHESIVE): IS OPTIONAL AS SUPPLIED DIMENSIONS APPEARING IN TABLE ARE FOR UNCOATED PARTS. WHEN COATING IS ADDED, ENTRY DIAMETER WILL BE REDUCED BY .06 [1.5] MAX.

4. 207W223, 207W234 & 207W245 HAVE STAINLESS STEEL DOWEL PINS SECURED TYPE "C" NUT IS SUPPLIED WITH PART.

5. "O" RING IS SUPPLIED WITH PART.

6. IN PLACE WITH ADHESIVE.

**7. ORDERING INFORMATION**



**TABLE OF DIMENSIONS**

PART DESCRIPTION	H	J		JO	K	M	P	R	T	U	JW	HOLE DIA
	REF	MIN	MAX	MAX	REF	THREAD	±10%	±10%	REF	±10%	±20%	± .02
	b	a	b	b	b	b	b	b	b	b	b	
207W213-X-A16	.47 [11,9]	.39 [9,9]	.16 [4,1]	.60 [15,2]	.91 [23,1]	.79 [20,0]	2.44 [62,0]	1.93 [49,0]	1.26 [32,0]	.28 [7,1]	.04 [1,0]	.94 [23,9]
207W223-X-A16	.79 [20,0]	.71 [18,0]	.28 [7,0]	.77 [19,5]	1.30 [33,2]	1.18 [30,0]	2.84 [72,0]	2.32 [59,0]	1.65 [42,0]	.39 [9,9]	.07 [1,8]	1.34 [34]
207W234-X-A16	1.22 [31,0]	1.10 [28,0]	.47 [12,0]	1.06 [27,0]	1.80 [45,7]	1.65 [42,0]	3.43 [87,0]	2.91 [74,0]	2.28 [58,0]	.39 [9,9]	.08 [2,0]	1.85 [47,0]
207W245-X-A16	1.77 [44,9]	1.69 [42,9]	.71 [18,0]	1.26 [32,0]	2.34 [59,4]	2.20 [55,8]	4.42 [112,2]	3.85 [97,7]	2.80 [71,1]	.39 [9,9]	.12 [3,0]	2.07 [52,4]

If this document is printed it becomes uncontrolled. Check for the latest revision

Raychem Molded Parts  
**CUSTOMER DRAWING**

COMPATIBILITY CHART		
MATERIAL DASH NO.	ADHESIVE (COATING) SLASH NUMBER	ADHESIVE (COATING) S NUMBER
-3	/42;	S-1017;

UNLESS OTHERWISE SPECIFIED DIMENSIONS ARE INCHES. METRIC DIMENSIONS ARE IN BRACKETS. DECIMAL TOLERANCES .XXX ± 0.005 [0.13 mm] .XX ± 0.01 [0.25 mm] .X ± 0.1 [0.50 mm] ANGLE TOLERANCE .X ± 1 DEG.	REVISED UNGUYEN		TE Connectivity
THIRD ANGLE PROJECTION	APPROVED DHURRELL		TITLE FEEDTHROUGH, SEAL
TYCO ELECTRONICS RESERVES THE RIGHT TO AMEND THIS DRAWING AT ANY TIME. USERS SHOULD EVALUATE THE SUITABILITY OF THE PRODUCT FOR THEIR APPLICATION.	SIZE B	CODE IDENT. NO. 06090	DWG. NO. 207W2XX-X-A16
© 1997-2011 Tyco Electronics Corporation. All rights reserved.		DO NOT SCALE THIS DRAWING	SHEET 1 OF 1