

Mounting Brackets  
**E39-L/F39-L**  
 Slit/reflective plate  
**E39-S/E39-R**

Brackets list

\*   Applicable models that appear shaded come with the clamps indicated at left as accessories.

Model	Fitting materials	Count	Accessories			Applicable sensor (mounting pitch on sensor side)
			Description	Material	Count	
E39-L4	Iron, zinc plating	1	Slotted/Phillips screws M3 x 12 (with spring and plain washers)	Iron, zinc plating	2	E32-T16(20)
E39-L40	Iron, zinc plating	1	Phillips screws M4 x 25 (with spring and plain washers) Nut M4	Iron, zinc plating Iron, zinc plating	2 2	E3JK F3C-AL
E39-L43	Stainless steel (SUS304)	1	Slotted/Phillips screws M3 x 8 (with spring and plain washers)	Stainless steel (SUS304)	2	E3Z(25.4)
E39-L44	Stainless steel (SUS304)	1	Slotted/Phillips screws M3 x 8 (with spring and plain washers)	Stainless steel (SUS304)	2	E3Z(25.4)
E39-L54V	Stainless steel (SUS304)	1	---	---	-	E32-T54V
E39-L69	Stainless steel (SUS304)	1	Slotted/Phillips screws M3 x 12 (with spring and plain washers)	Stainless steel (SUS304)	2	E3S-R1□(20)
E39-L70	Stainless steel (SUS304)	1	Slotted/Phillips screws M3 x 12 (with spring and plain washers)	Stainless steel (SUS304)	2	E3S-R6□(20)
E39-L85	Stainless steel (SUS304)	1	Hexagon bolts M4 x 12 (with spring and plain washers)	Iron, zinc plating	2	E3S-C(25.4)
E39-L86	Stainless steel (SUS304)	1	Hexagon bolts M4 x 12 (with spring and plain washers)	Iron, zinc plating	2	E3S-C(25.4)
E39-L87	Stainless steel (SUS304)	1	Hexagon bolts M4 x 12 (with spring and plain washers)	Iron, zinc plating	2	E3S-C(25.4) E3S-CR62/67(25.4)
E39-L93	Stainless steel (SUS304)	1	Holder (upper) Holder (lower)  Pipe  Bolts M4 x 12 with hexagonal holes Bolts M4 x 30 with hexagonal holes Phillips screws M3 x 12 (with spring and plain washers) Spring washer M4 Plain washer M4 Nut M4	Heat-resistant ABS resin PBT (polybutylene terephthalate) Stainless steel (SUS304) Iron, nickel plating Iron, nickel plating Stainless steel (SUS304) Iron, nickel plating Iron, nickel plating Iron, nickel plating	1 1  1 2 1 1 1 3	E3Z(25.4) E3S-R1□/R6□(20)
E39-L94	Iron, zinc plating	2	Phillips screws M3 x 10 Nut M3	Iron, zinc plating Iron, zinc plating	4 4	E32-T16P(19)
E39-L96 * For installation of Sensor Adjuster E39-L93	Stainless steel (SUS304)	1	Phillips screws M3 x 6 (with spring and plain washers)	Iron, nickel plating	2	E39-R1
E39-L97	Stainless steel (SUS304)	1	Slotted/Phillips screws M3 x 12 (with spring and plain washers)	Stainless steel (SUS304)	2	E3S-R1□(20)
E39-L98	Stainless steel (SUS304)	1	Slotted/Phillips screws M3 x 12 (with spring and plain washers)	Stainless steel (SUS304)	2	E3Z(25.4) E3S-R6□(20)
E39-L102	Stainless steel (SUS304)	1	Hexagon bolts M4 x 12 (with spring and plain washers)	Iron, zinc plating	2	E3S-C (horizontal type) (25.4)

Model	Fitting materials	Count	Accessories			Applicable sensor (mounting pitch on sensor side)
			Description	Material	Count	
E39-L103	Stainless steel (SUS304)	1	Hexagon bolts M4 x 12 (with spring and plain washers)	Iron, zinc plating	2	E3S-C (vertical type) (25.4) E3S-CR62/67(25.4)
E39-L104	Stainless steel (SUS304)	1	Slotted/Phillips screws M3 x 8 (with spring and plain washers)	Stainless steel (SUS304)	2	E3Z(25.4) E32-R21 (for installation of E39-R3) (25.4)
E39-L109	Stainless steel (SUS430)	1	---	---	-	E32-S15-□(13.2)
E39-L114	Stainless steel (SUS430)	2	Phillips screws M5 x 10	Iron, zinc plating	4	E3MC(28)
E39-L115	Stainless steel (SUS304)	1	Phillips screws M5 x 8 Slotted/Phillips screws M3 x 8	Iron, zinc plating Iron, nickel plating	4 2	E3MC
E39-L116	Stainless steel (SUS304)	1	---	---	-	E3T-S(9/15)
E39-L117	Stainless steel (SUS304)	1	---	---	-	E3T-S(9/15)
E39-L118	Stainless steel (SUS304)	1	---	---	-	E3T-S(9/15)
E39-L119	Stainless steel (SUS304)	1	---	---	-	E3T-F(8)
E39-L120	Stainless steel (SUS304)	1	---	---	-	E3T-F(8)
E39-L131	Stainless steel (SUS304)	1	Slotted/Phillips screws M4 x 25 Spring washer M4 Plain washer M4	Stainless steel (SUS304) Stainless steel (SUS304) Stainless steel (SUS304)	2 2 2	E3G
E39-L132	Stainless steel (SUS304)	1	Slotted/Phillips screws M4 x 25 Spring washer M4 Plain washer M4	Stainless steel (SUS304) Stainless steel (SUS304) Stainless steel (SUS304)	2 2 2	E3G
E39-L135	Stainless steel (SUS304)	1	Slotted/Phillips screws M4 x 35 Spring washer M4 Plain washer M4	Stainless steel (SUS304) Stainless steel (SUS304) Stainless steel (SUS304)	2 2 2	E3G
E39-L136	Stainless steel (SUS304)	1	Slotted/Phillips screws M4 x 35 Spring washer M4 Plain washer M4	Stainless steel (SUS304) Stainless steel (SUS304) Stainless steel (SUS304)	2 2 2	E3G
E39-L139	Stainless steel (SUS304)	1	Slotted/Phillips screws M3 x 12	Stainless steel (SUS304)	2	E3G-L1/L3
E39-L140	Stainless steel (SUS304)	1	Slotted/Phillips screws M3 x 12	Stainless steel (SUS304)	2	
E39-L142	Stainless steel (SUS304)	1	Slotted/Phillips screws M3 x 8 (with spring and plain washers)	Stainless steel (SUS304)	2	E3Z(25.4)
E39-L143	Stainless steel (SUS304)	1	None	---	-	E3X-DA-N E3X-NA
E39-L144	Stainless steel (SUS304)	1	Slotted/Phillips screws M3 x 12 (with spring and plain washers)	Stainless steel (SUS304)	2	E3Z
E39-L148	Stainless steel (SUS304)	1	None	---	-	E3X-DA-N E3X-NA

Model	Fitting materials	Count	Accessories			Applicable sensor (mounting pitch on sensor side)
			Description	Material	Count	
E39-L150	Stainless steel (SUS304)	1	Holder/bracket	PBT (polybutylene terephthalate)	1	E3Z, E3S-R, E39-R3
			Shaft (brace)	Stainless steel (SUS304)	1	
			Hexagon bolt	Stainless steel (SUSXM7)	1	
			Nut	Stainless steel (SUS304)	1	
			Phillips screw	Stainless steel (SUSXM7)	1	
			Slotted/Phillips screws	Stainless steel (SUS304)	2	
E39-L151	Stainless steel (SUS304)	1	Holder/bracket	PBT (polybutylene terephthalate)	1	E3Z, E3S-R, E39-R3
			Shaft (brace)	Stainless steel (SUS304)	1	
			Hexagon bolt	Stainless steel (SUSXM7)	1	
			Nut	Stainless steel (SUS304)	1	
			Phillips screw	Stainless steel (SUSXM7)	1	
			Slotted/Phillips screws	Stainless steel (SUS304)	2	
E39-L153	Stainless steel (SUS304)	1	Slotted/Phillips screws M3 x 8 (with spring and plain washers)	Stainless steel (SUSXM7) Stainless steel (SUS304)	2	E3Z
F39-L9	Stainless steel (SUS304)	1	Slotted/Phillips screws M3 x 25	Iron, zinc plating	2	F3UV-A
			Plain washer M3	Iron, zinc plating	2	

Contact mounting plate list

\* Applicable models that appear shaded come with the mounting plate at left as accessories

Model	Material	Count	Applicable type
E39-L60	PBT (polybutylene terephthalate)	1	E3S-R□6

Slit list

\* Applicable models that appear shaded come with the slits indicated at left as accessories

Model	Slit width	Installation procedure	Applicable type
E39-S39	Width 1 x 20 mm	Seal type	E3JK-5□□
E39-S60	Width 0.5, 1 x 20 mm	Seal type	E32-T16
E39-S61	Width 0.5, 1, 2, 4 x 20 mm	Insertion type	E3S-CT□1
E39-S63	0.5 mm dia., 1 mm		E3T-ST1□
E39-S64	0.5 mm dia., 1 mm		E3T-FT1□
E39-S65A	0.5 mm dia.		E3Z-T□□
E39-S65B	1 mm dia.		
E39-S65C	2 mm dia.		
E39-S65D	Width 0.5 x 10 mm		
E39-S65E	Width 1 x 10 mm		
E39-S65F	Width 2 x 10 mm		

Reflectors list

Item	Name Model	Reflectors		Non-fogging reflector	Reflectors			
		E39-R1	E39-R1S	E39-R1K	E39-R2	E39-R6	E39-R10	
Directional angle		30° min.*1			30° min.*2	30° min.		
Ambient operating temperature		-25° to 55°						
Ambient storage temperature		-40° to 70°C		-40° to 55°	-40° to 70°C			
Ambient operating humidity		35% to 85%				35% to 95%		
Ambient storage humidity		35% to 95%						
Protective structure		IEC 60529 IP67						
Accessories		---						

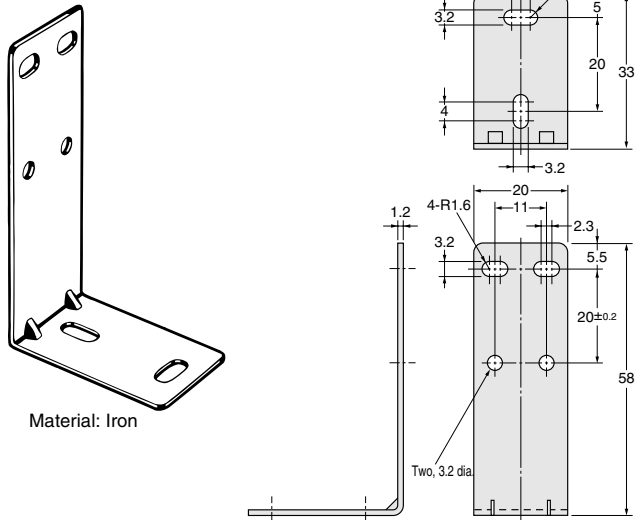
\*1. 40° or higher for E3JK-R.

\*2. 40° or higher for E3G-R.

Item	Name Model	Small reflector				Tape Reflector		
		E39-R9	E39-R3	E39-R4	E39-R37	E39-RS1	E39-RS2	E39-RS3
Directional angle		30° min.		2° to 20° min.	30° min.			
Ambient temperature		-25° to 55° C						
Ambient temperature		-40° to 70°C			0°C to 40°C			
Ambient operating humidity		35% to 95%	35% to 85%					
Ambient storage humidity		35% to 95%			35% to 85%			
Protective structure		IEC 60529 IP67						
Accessories		---	Clamps (with screws)	---	Phillips screws M3 x 3, spring washers M3, nut M3	---		

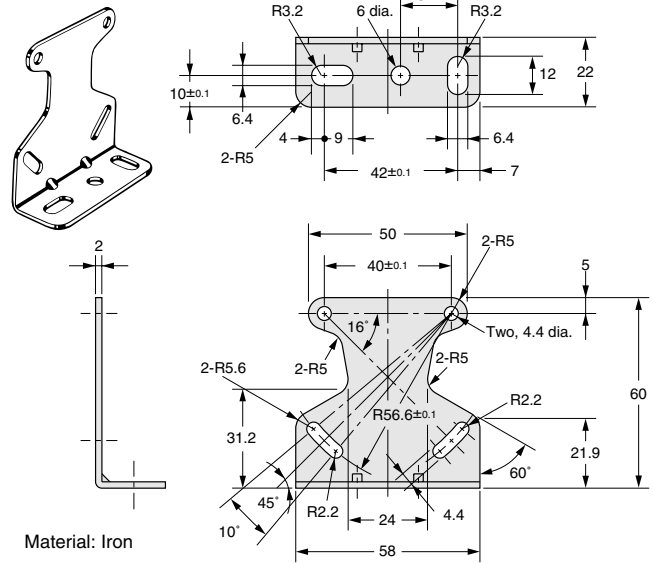
Mounting brackets dimensions (unit: mm)

E39-L4



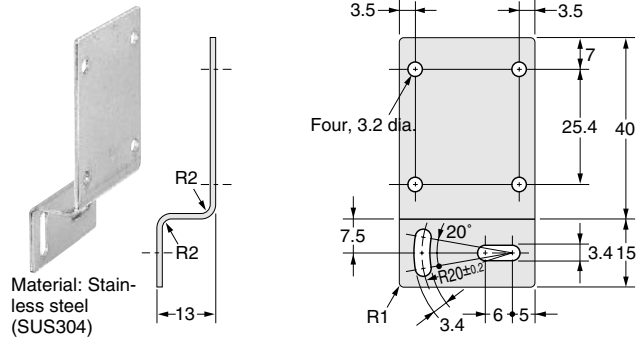
Material: Iron

E39-L40



Material: Iron

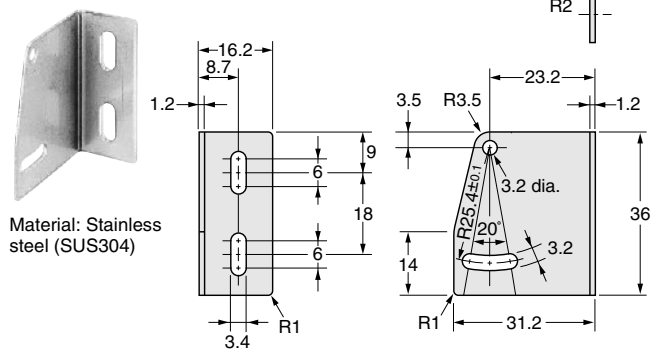
E39-L43



Material: Stainless steel (SUS304)

CAD file E39\_32

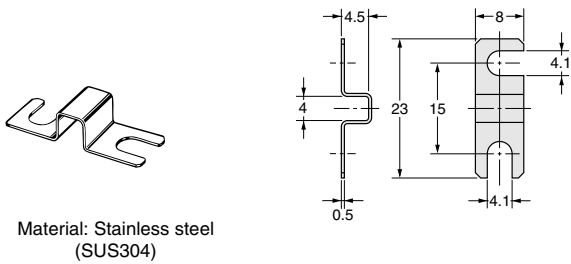
E39-L44



Material: Stainless steel (SUS304)

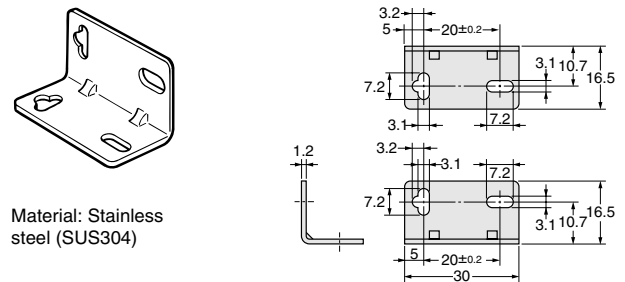
CAD file E39\_33

E39-L54V



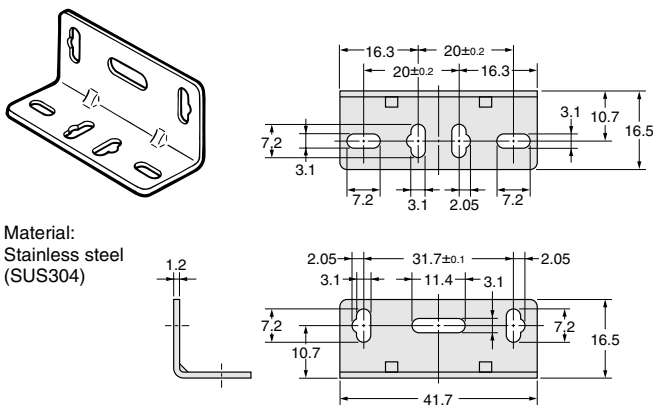
Material: Stainless steel (SUS304)

E39-L69 (for E3S-R1□)



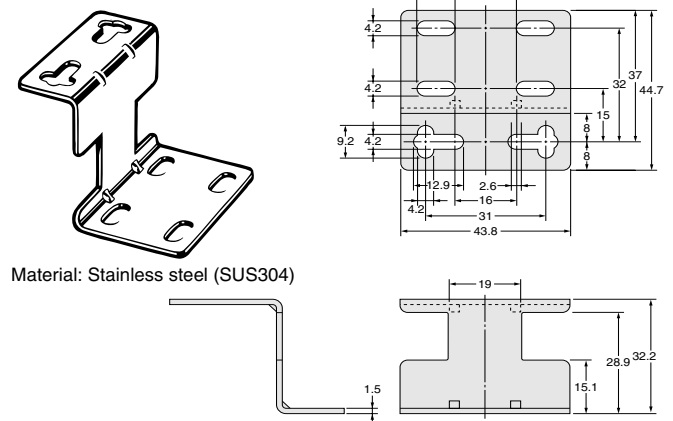
Material: Stainless steel (SUS304)

E39-L70 (for E3S-R6□)



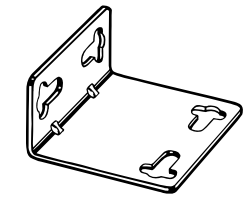
Material: Stainless steel (SUS304)

E39-L85

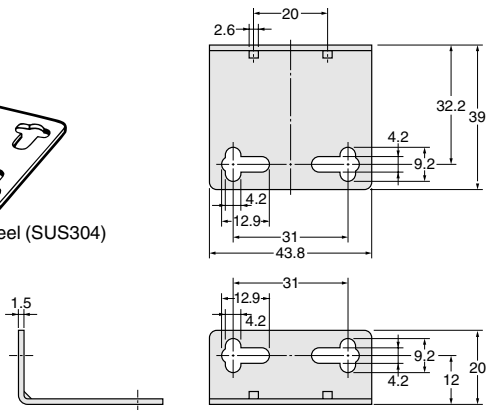


Material: Stainless steel (SUS304)

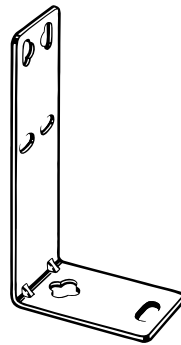
E39-L86



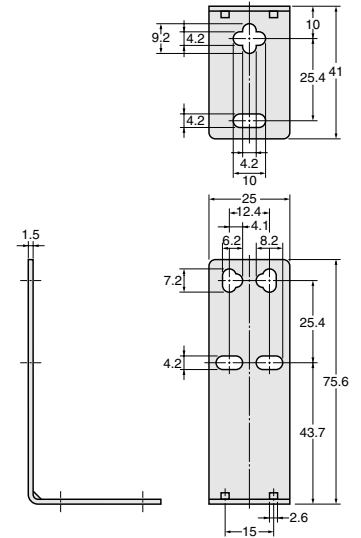
Material: Stainless steel (SUS304)



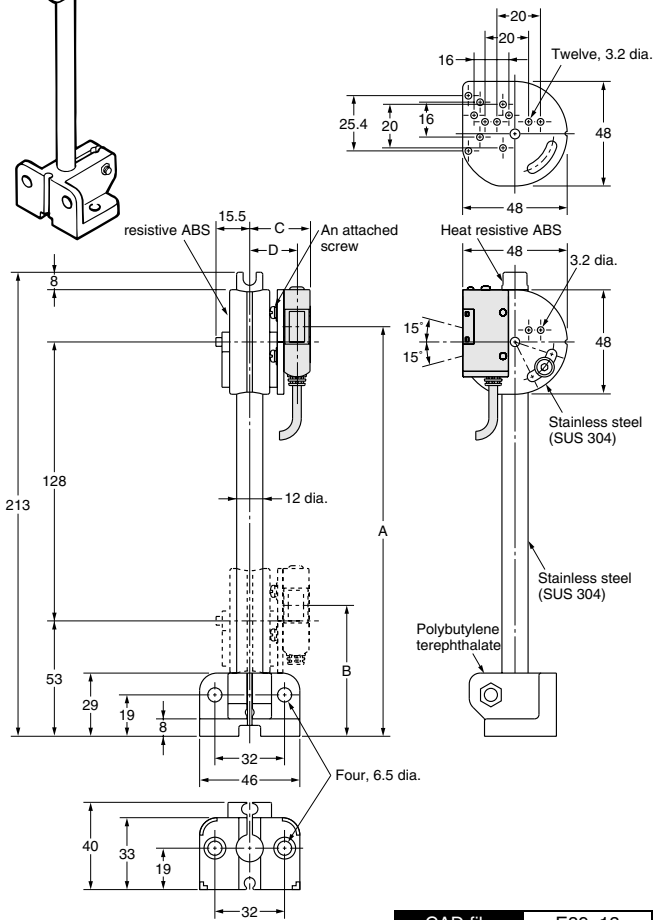
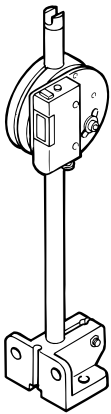
E39-L87



Material: Stainless steel (SUS304)

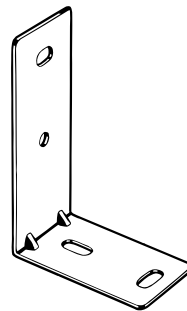


E39-L93

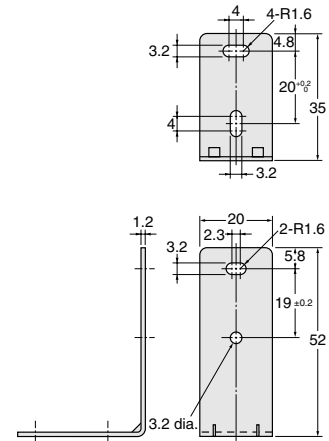


CAD file E39\_13

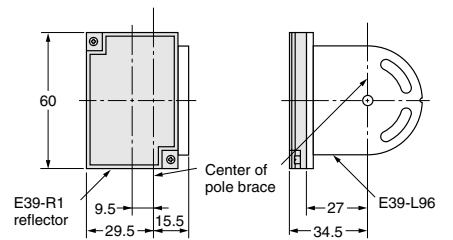
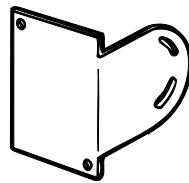
E39-L94



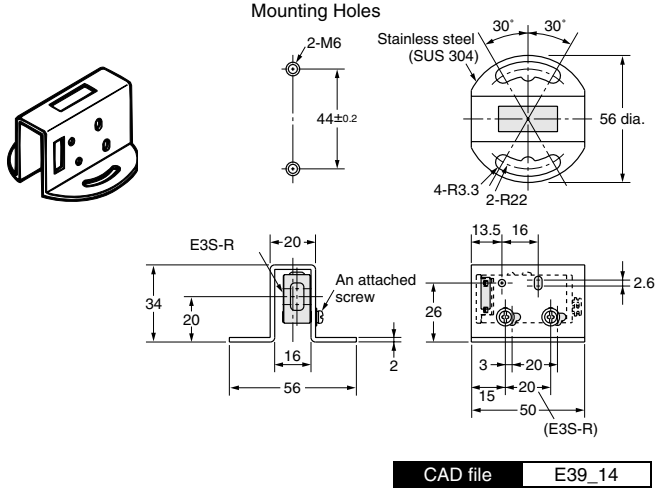
Material: Iron



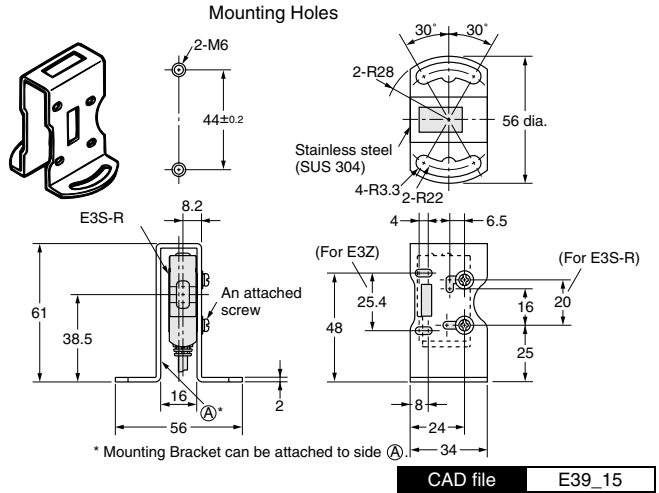
E39-L96



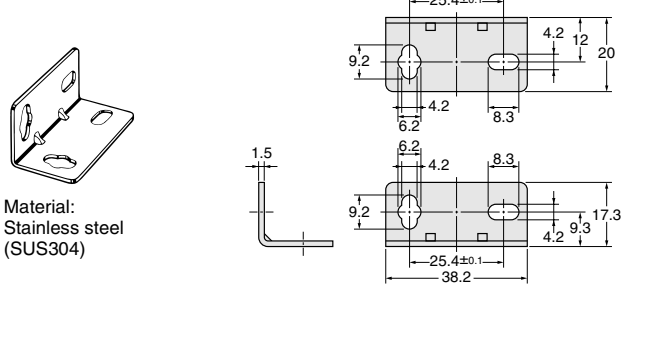
E39-L97



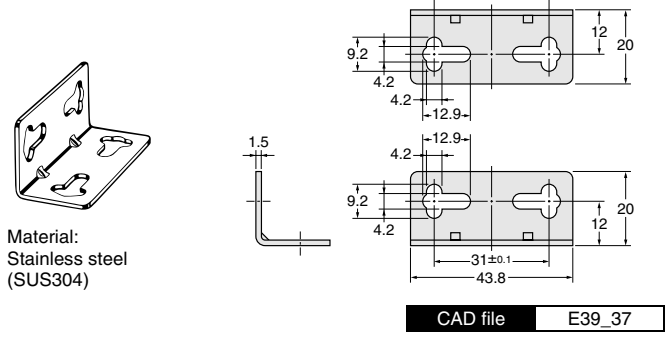
E39-L98



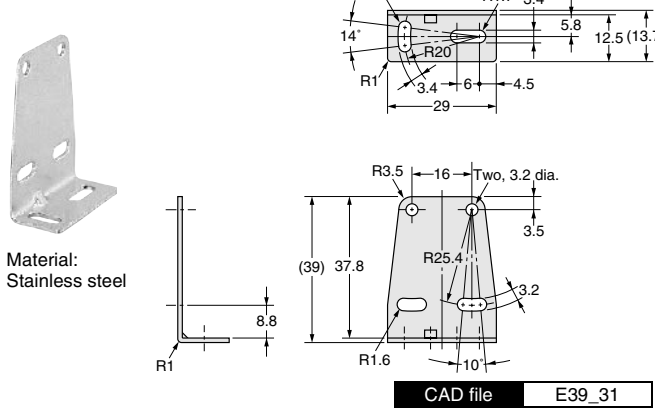
E39-L102



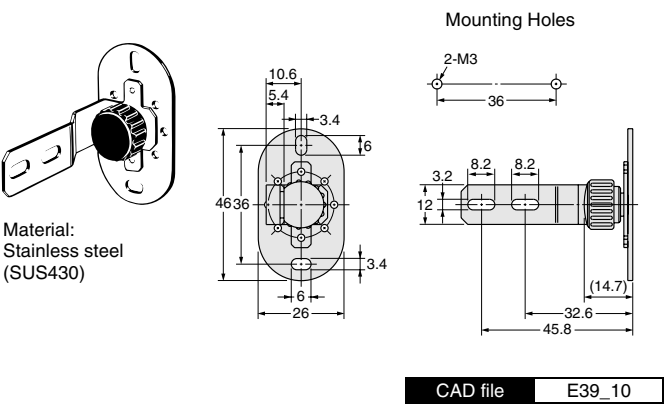
E39-L103



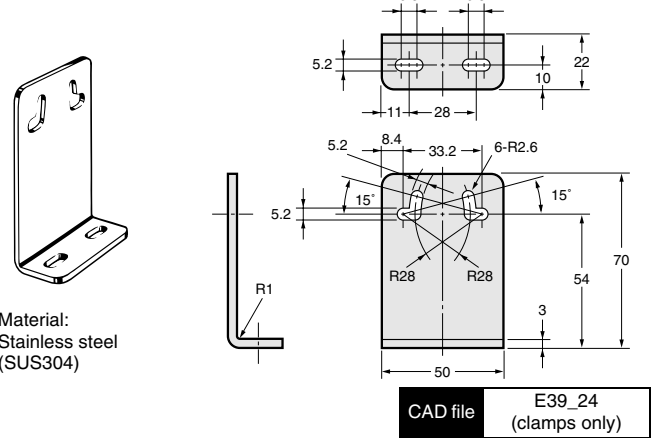
E39-L104



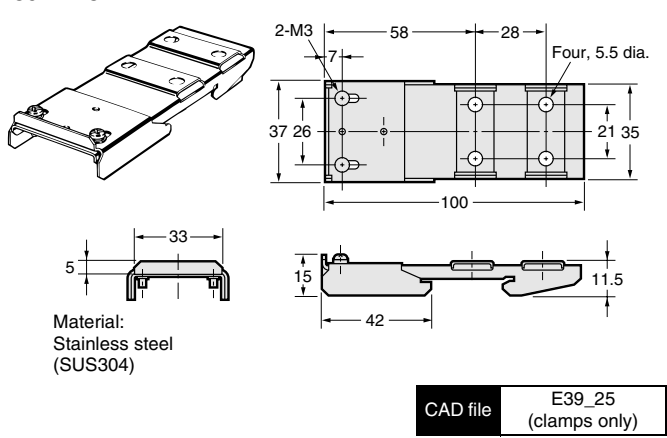
E39-L109



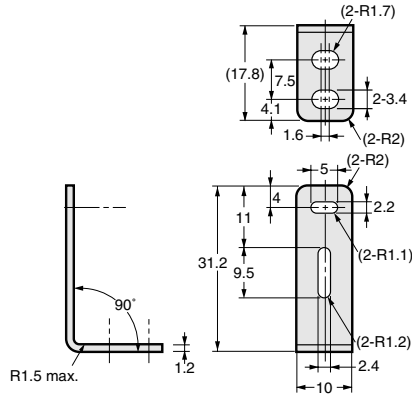
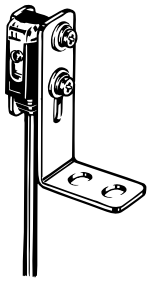
E39-L114



E39-L115



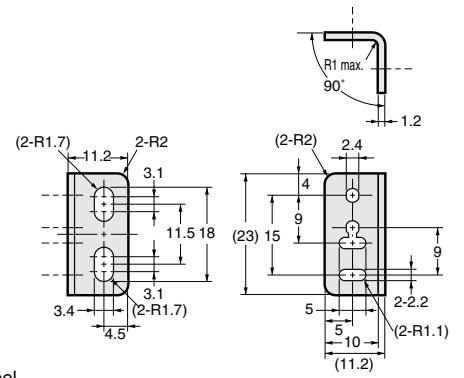
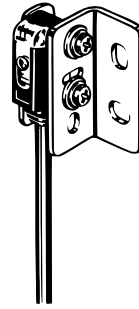
E39-L116



Material: Stainless steel (SUS304)  
1.2 mm thick

CAD file E39\_26

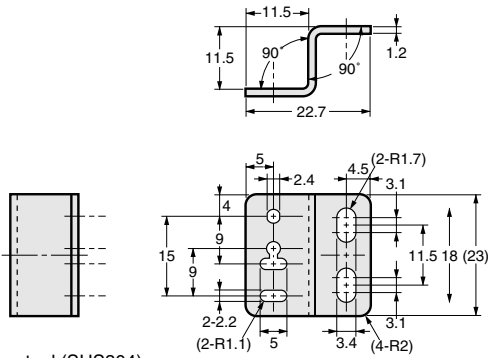
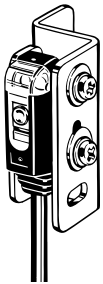
E39-L117



Material: Stainless steel (SUS304)  
1.2 mm thick

CAD file E39\_27

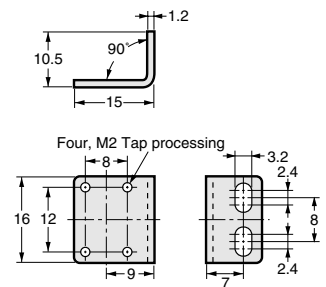
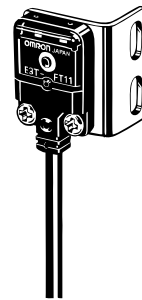
E39-L118



Material: Stainless steel (SUS304)  
1.2 mm thick

CAD file E39\_28

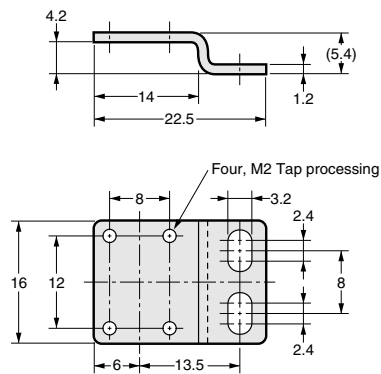
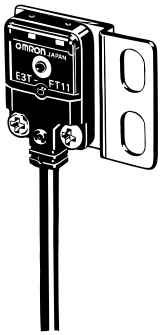
E39-L119



Material: Stainless steel (SUS304)  
1.2 mm thick

CAD file E39\_29

E39-L120

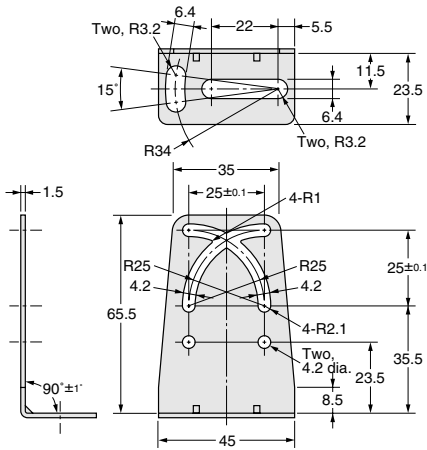
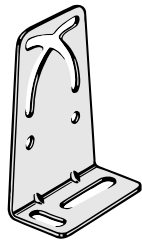


Material: Stainless steel (SUS304)  
1.2 mm thick

CAD file E39\_30



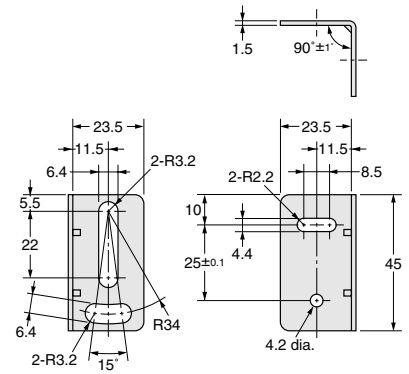
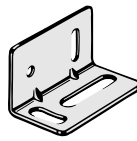
E39-L131



Material: Stainless steel (SUS304)

CAD file E39\_39

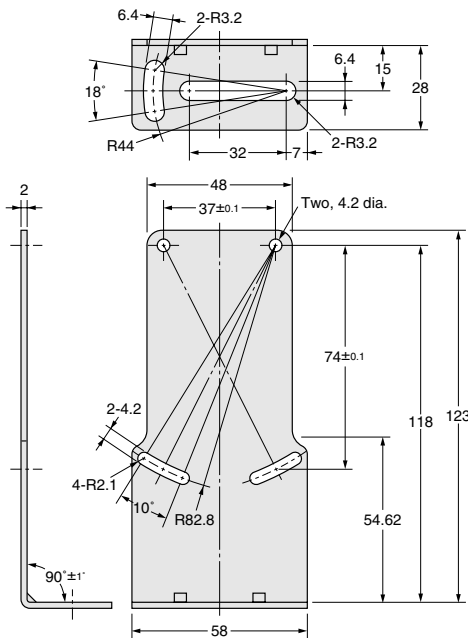
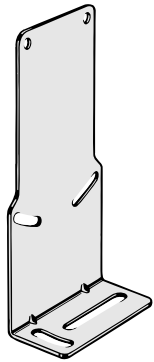
E39-L132



Material: Stainless steel (SUS304)

CAD file E39\_40

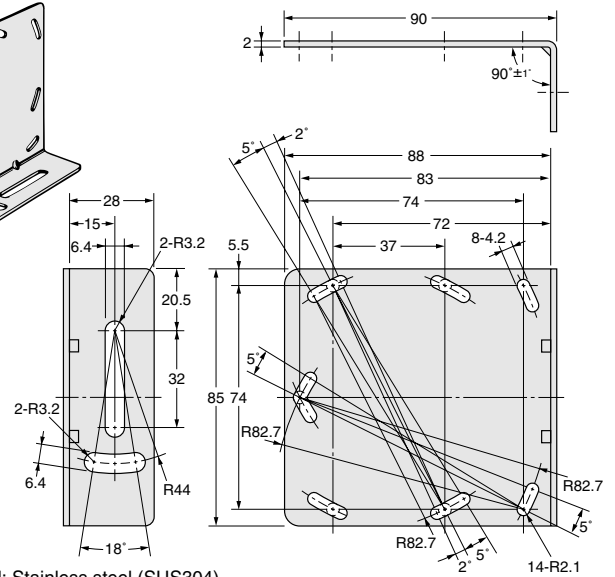
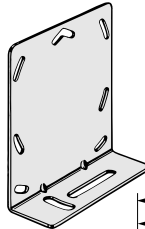
E39-L135



Material: Stainless steel (SUS304)

CAD file E39\_42

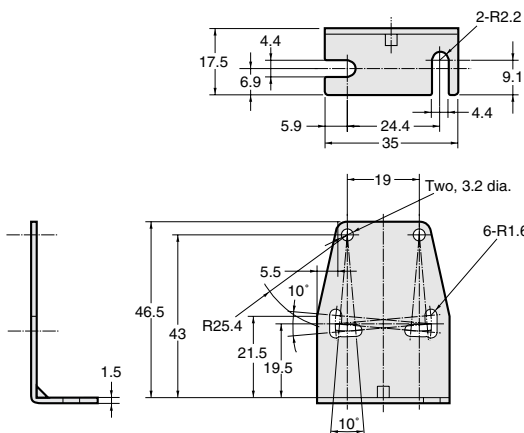
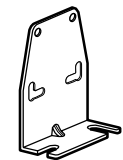
E39-L136



Material: Stainless steel (SUS304)

CAD file E39\_43

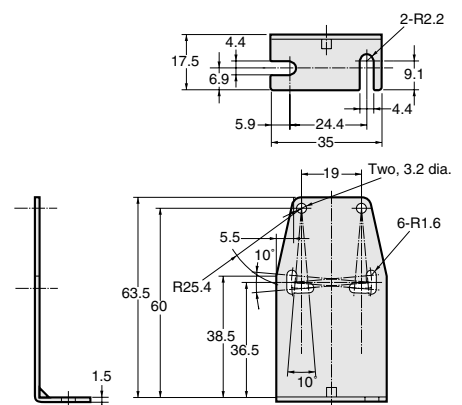
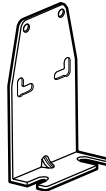
E39-L139



Material: Stainless steel (SUS304)

CAD file E3G\_09 E3G\_11

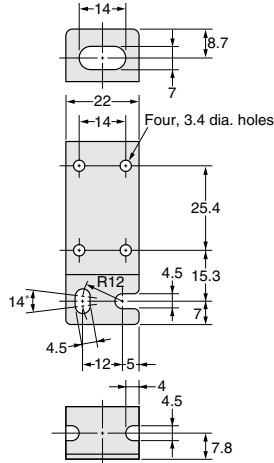
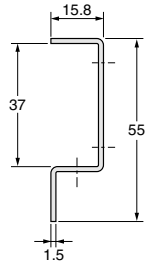
E39-L140



Material: Stainless steel (SUS304)

CAD file E3G\_09 E3G\_11

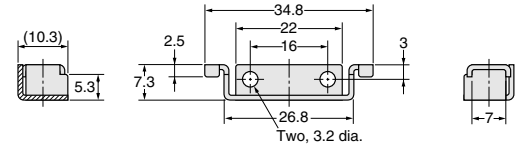
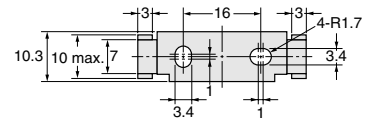
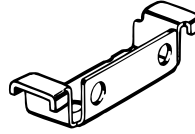
E39-L142



Material: Stainless steel (SUS304)

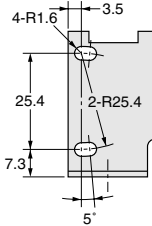
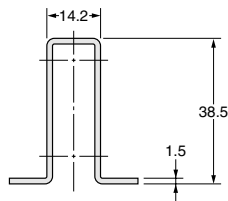
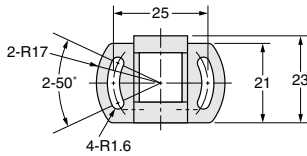
CAD file E39\_49

E39-L143



Material: Stainless steel (SUS304)

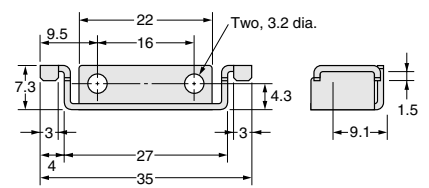
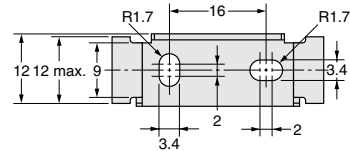
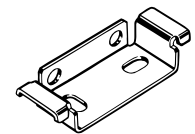
E39-L144



Material: Stainless steel (SUS304)

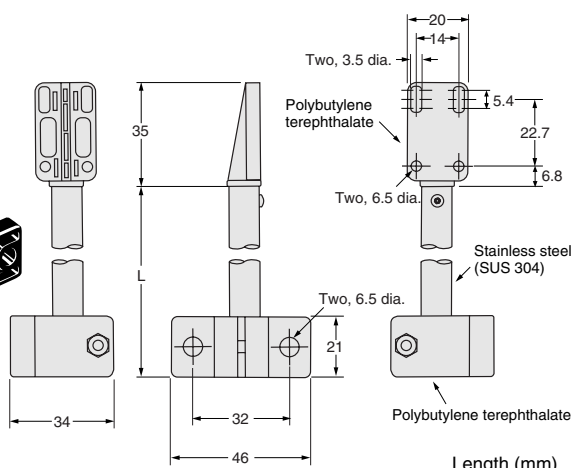
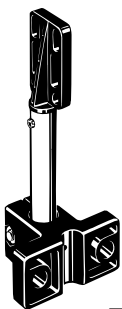
CAD file E39\_50

E39-L148



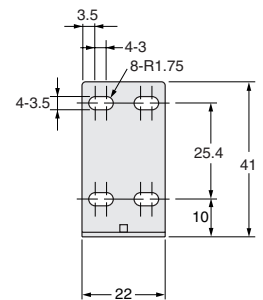
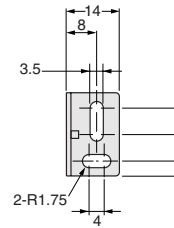
Material: Stainless steel (SUS304)

E39-L150  
E39-L151

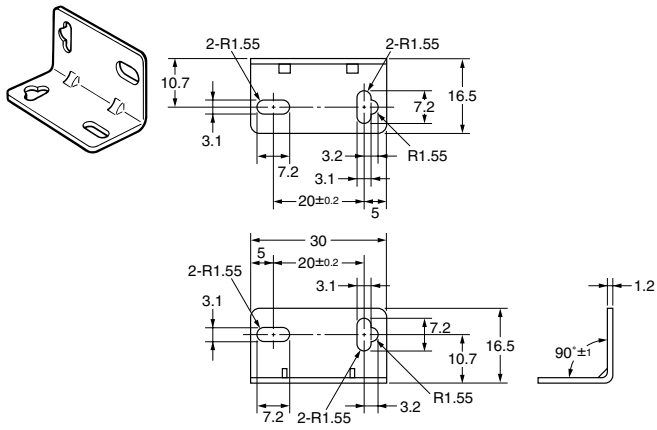


Model	L
E39-L150	65
E39-L151	165

E39-L153



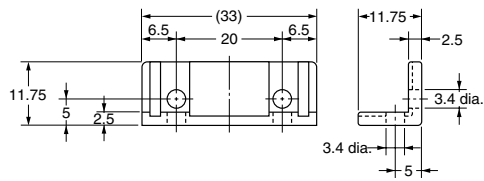
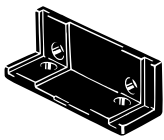
F39-L9



Material: Stainless steel (SUS304-CP)

Contact mounting plate (unit: mm)

E39-L60

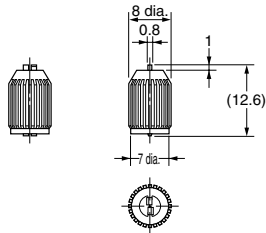


Material: PBT (polybutylene terephthalate)



Sensitivity adjustment driver (Unit: mm)

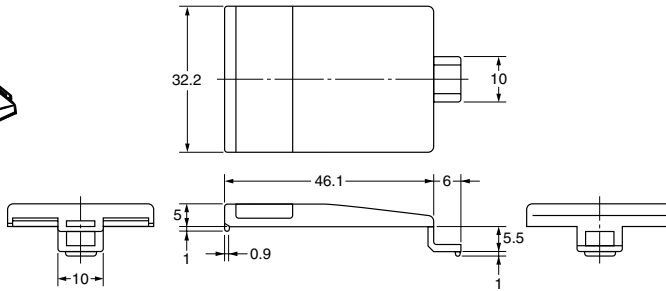
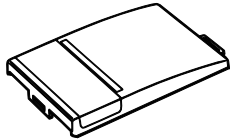
E39-G2



Material: Polycarbonate

Protective Cover(Unit: mm)

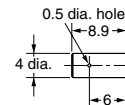
E39-G9



Material: Polycarbonate

Lens Unit(Unit: mm)

E39-F1V



M2.6 x 0.45  
Effective depth: 0.9  
Countersunk with  
straight edge, depth: 0.9