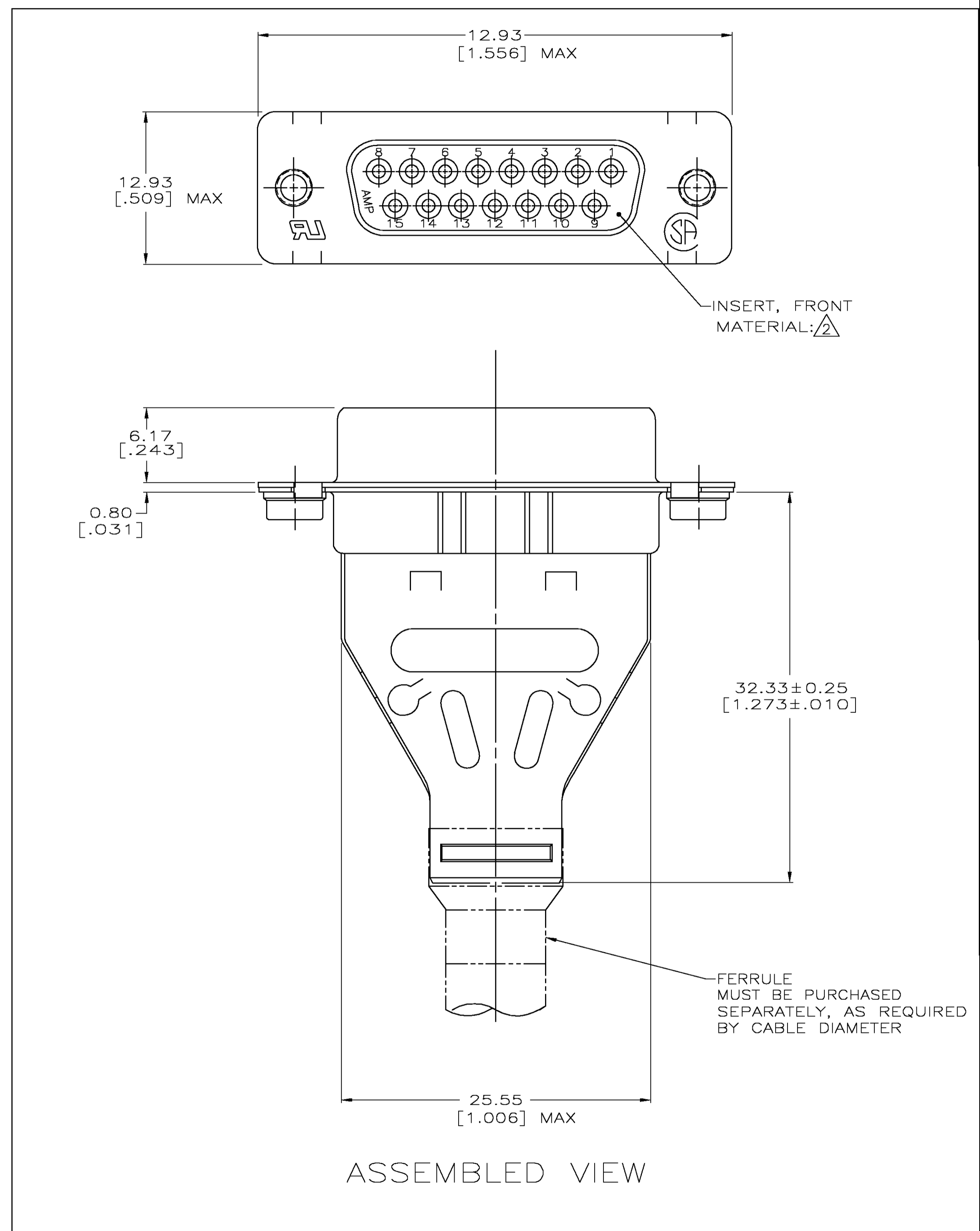
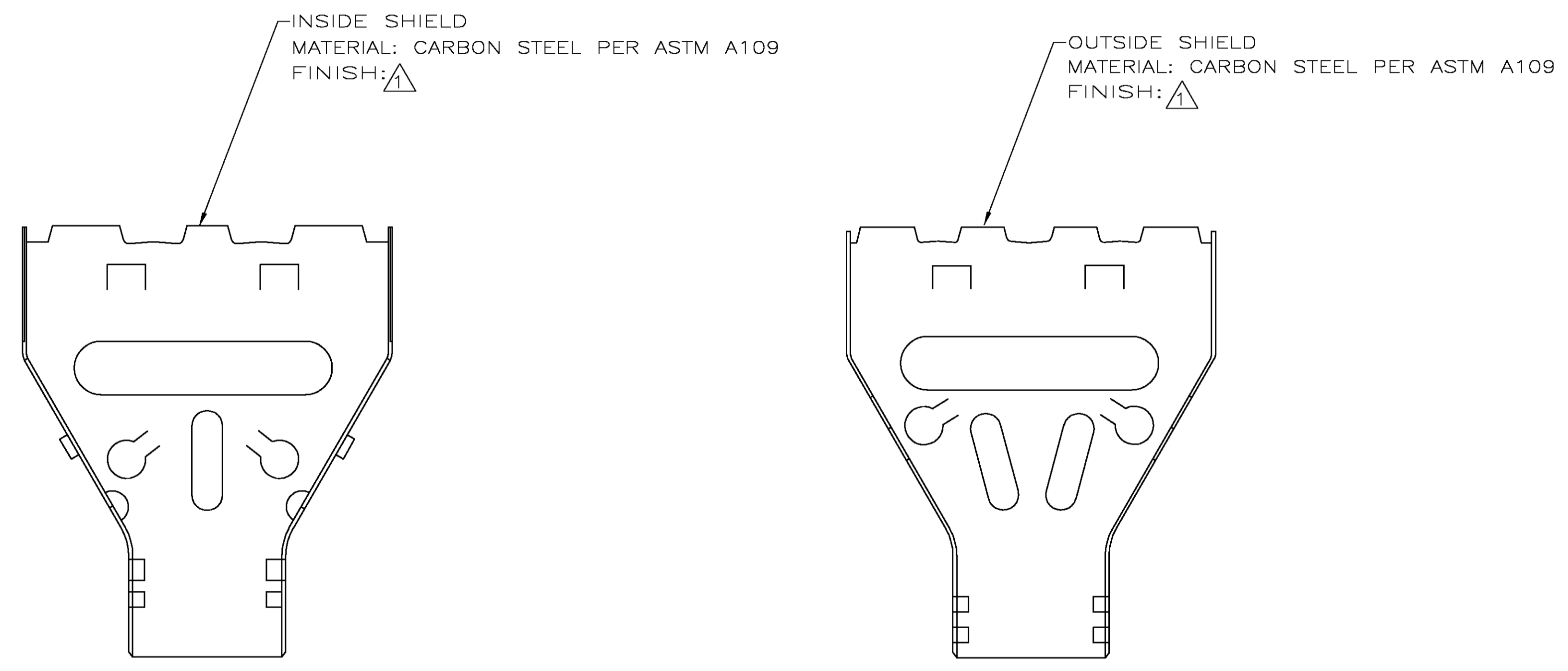
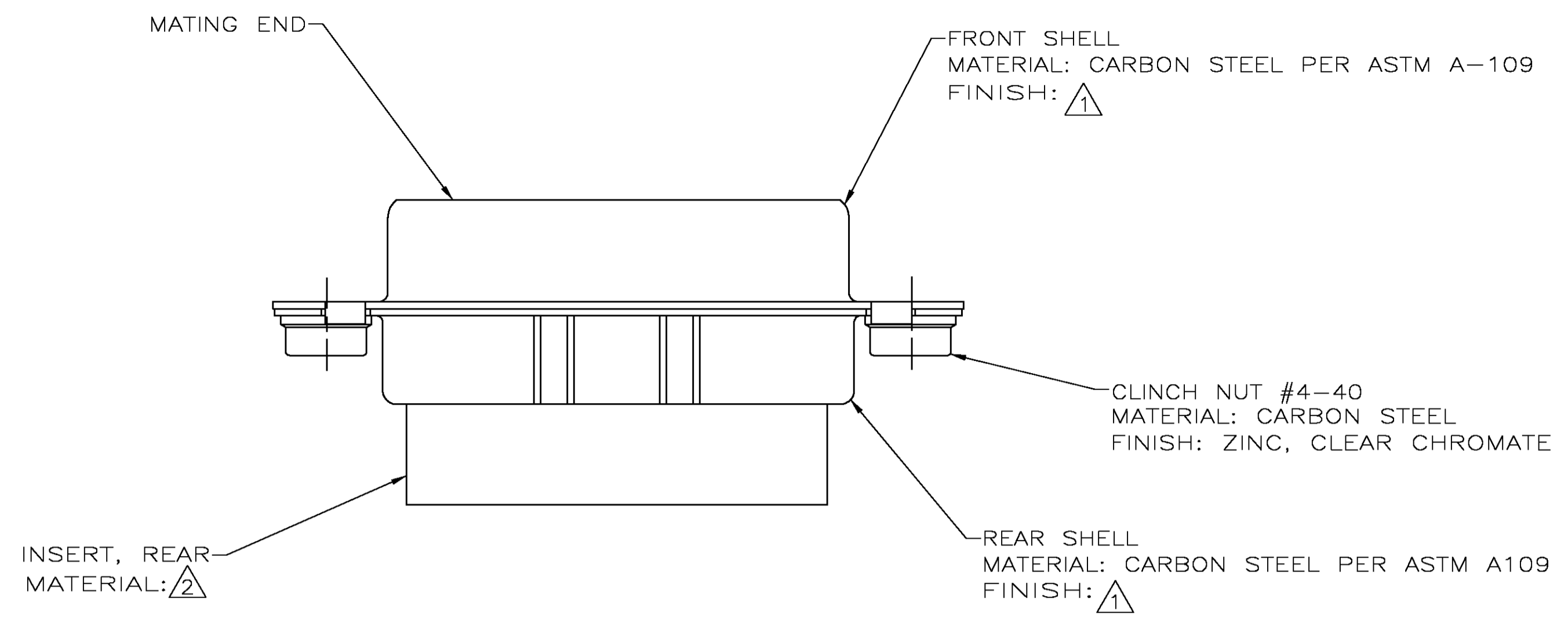


LOC		DIST		REVISIONS			
P	LTR	DESCRIPTION	DATE	BY	APPV		
0		RELEASED PER EC 0513-0257-04	11-12-04	GA	JG		



$\Delta 1$ 5.08 μ m [.000200] MIN TIN OVER 2.54 μ m [.000100] MIN COPPER.
 $\Delta 2$ NYLON, BLACK.

5787908-1
PART NO

THIS DRAWING IS A CONTROLLED DOCUMENT.		DWG G. ATTADIA - 11-12-04	Tyco Electronics Corporation Harrisburg, PA 17105-3608
DIMENSIONS: mm [inches]		CHK J. GERACE 11-12-04	
TOLERANCES UNLESS OTHERWISE SPECIFIED:		APVD M. WALMSLEY 11-12-04	NAME RECEPTACLE KIT, UNASSEMBLED, 15 POSN, SIZE 2, WITH CLINCH NUTS, HDP-20 AMPLIMITE
0 PLC ± -	1 PLC ± -	PRODUCT SPEC 10B-40005 & 10B-40030	APPLICATION SPEC 114-40030
2 PLC ± 0.13 [.005]	3 PLC ± -	SIZE A1	SCALE 4:1
4 PLC ± -	ANGLES ± -	WEIGHT -	RESTRICTED TO -
MATERIAL SEE CALLOUTS	FINISH SEE CALLOUTS	CUSTOMER DRAWING	SCALE 4:1 SHEET 1 OF 1 REV 0