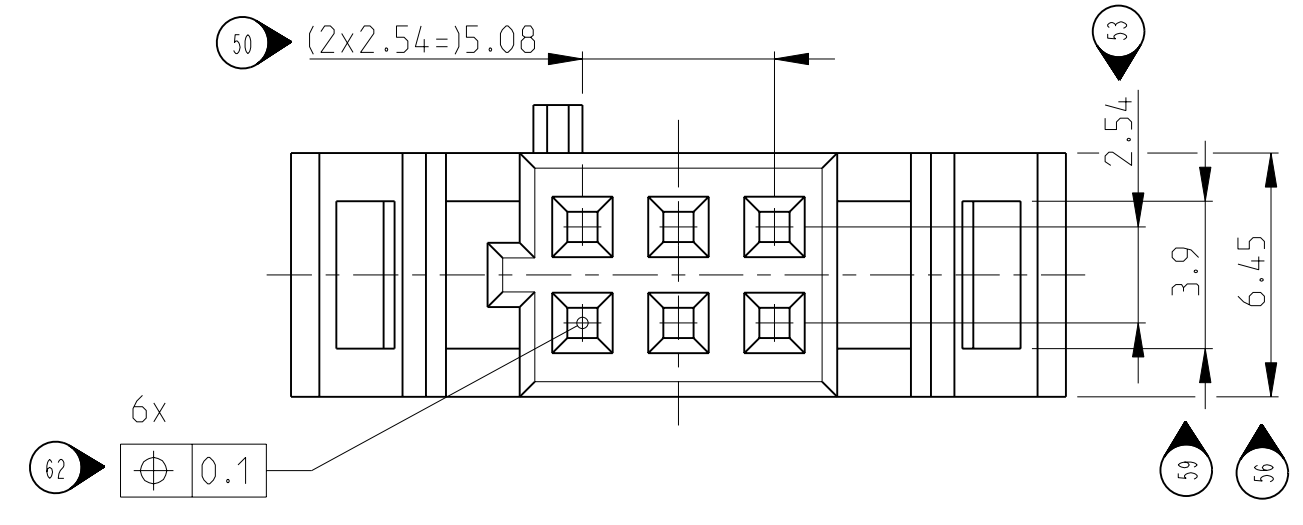
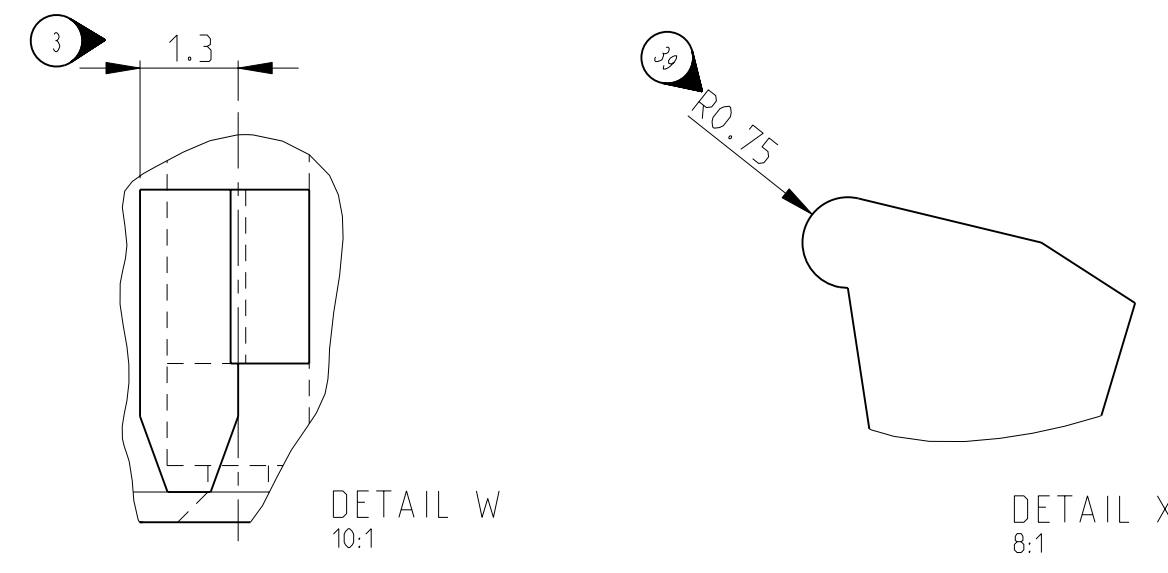
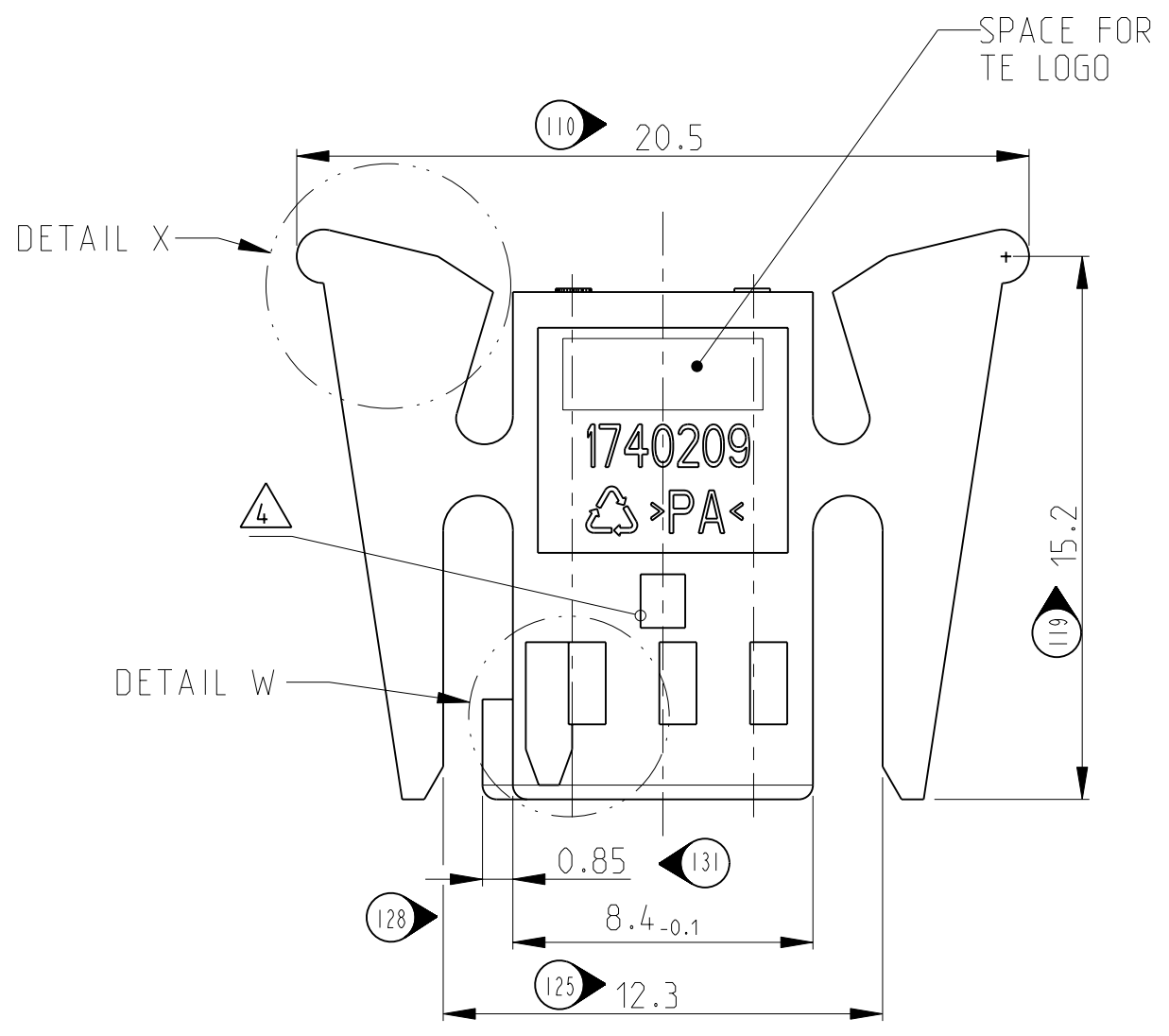
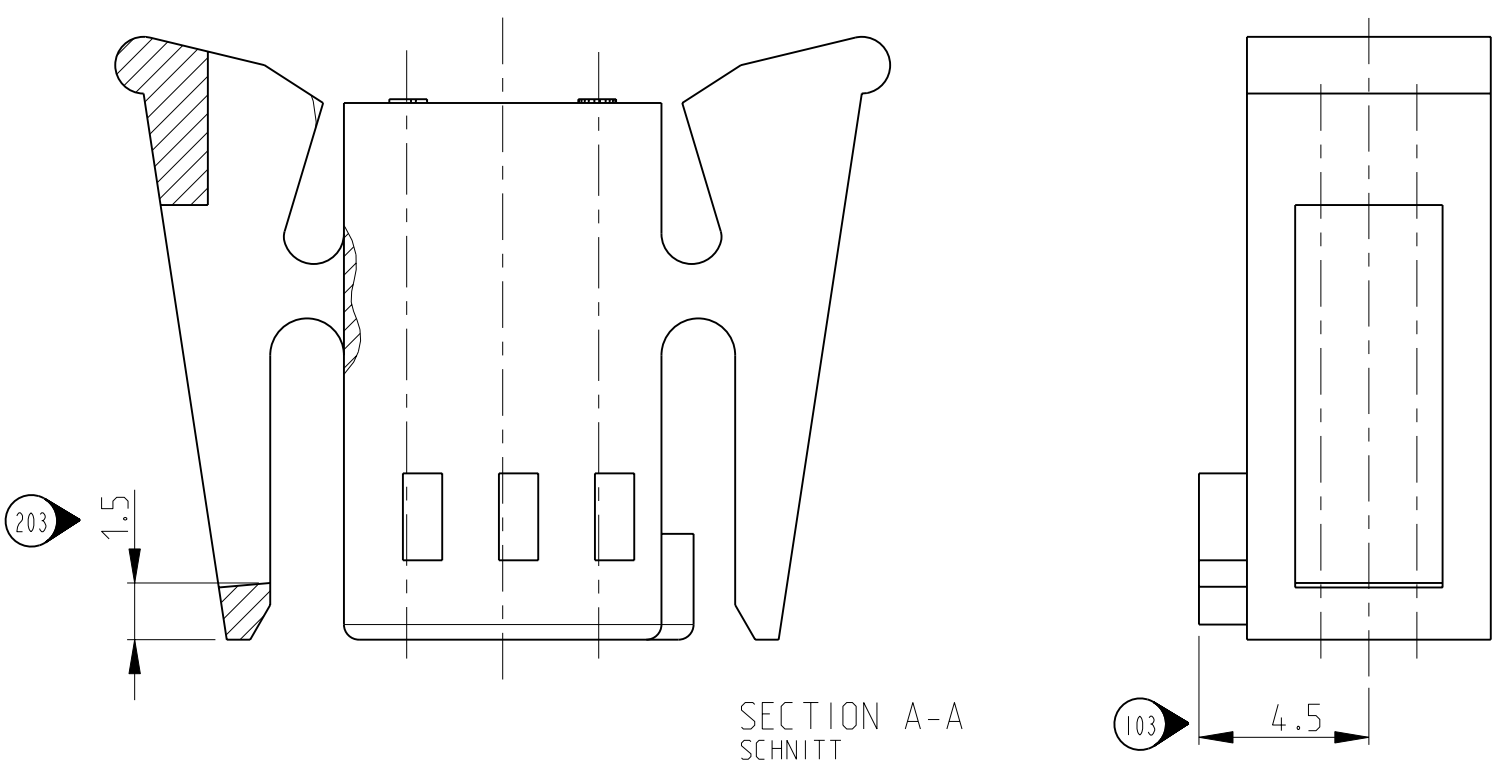


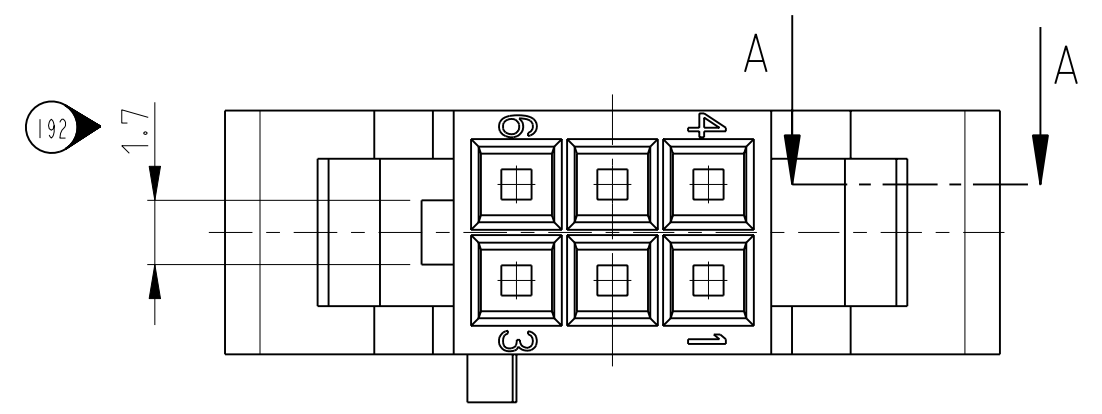
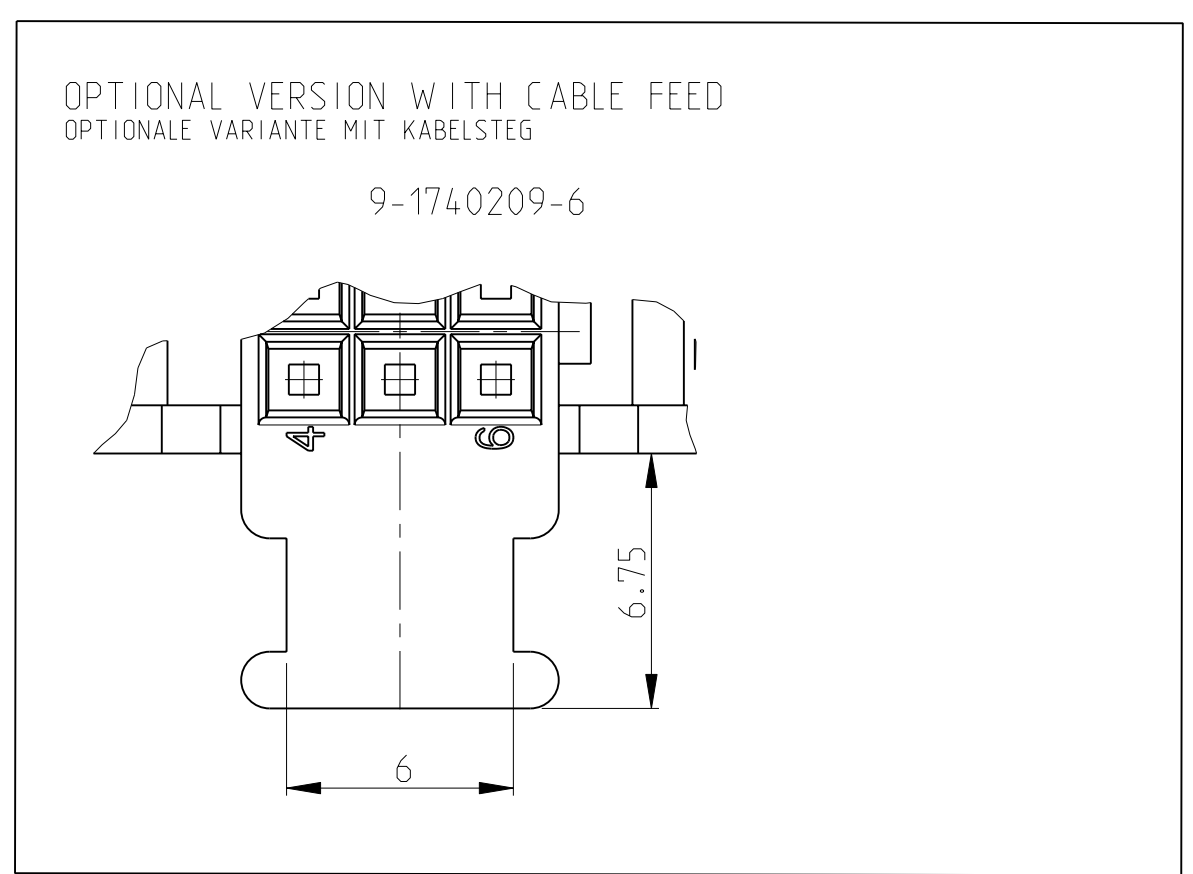
LOC	DIST	REVISIONS			
P	LTR	DESCRIPTION	DATE	DWN	APVD
IR	-	B3	ECR-09-017771	07AUG2009	SRE PCH



- REMARKS:
- MATERIAL: PA6, TO FULLFILL IEC-60335
COLOUR: SEE TABLE
 - ALL SYMBOLS 1.2mm HIGH
 - PACKAGING:
250 LOOSE PIECE PARTS IN CARDBOARD-BOX WITH PAPER CUSHION ON THE UPPER AND LOWER SIDE
 - CAVITY MARKING
 - HOUSING FOR CONTACTS ACC. TO
TE SPEC. 108-25021 AND 114-25003

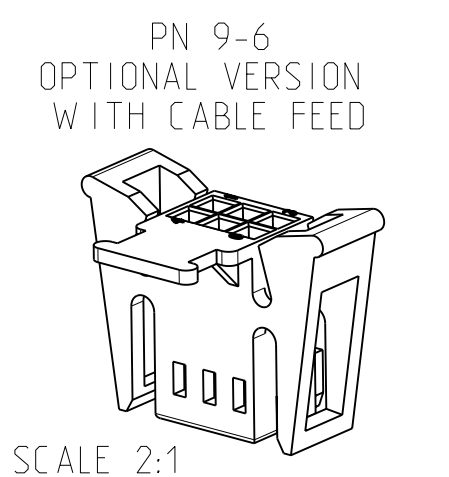
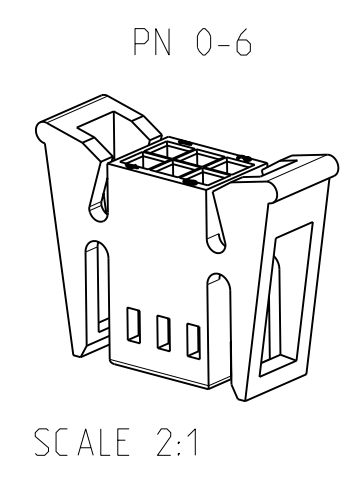


- BEMERKUNGEN:
- MATERIAL: PA6, ZUR ERFÜLLUNG DER IEC-60335
FARBE: SIEHE TABELLE
 - ALLE SCHRIFTZEICHEN 1.2mm HOCH
 - VERPACKUNG:
250 TEILE LOSE IN FALTSCHACHTEL MIT PAPIER-
POLSTER AUF DER OBER- UND UNTERSEITE
 - NESTKENNZEICHNUNG
 - GEHÄUSE FÜR KONTAKTE NACH
TE SPEC. 108-25021 UND 114-25003



PN 0-6 As shown

REV	MATERIAL	DESCRIPTION	PART No	SL No
B	1	2x3 POS HOUSING WITH CABLE FEED	9-1740209-6	2
B	1	2x3 POS HOUSING	0-1740209-6	1



THIS DRAWING IS A CONTROLLED DOCUMENT FOR TYCO ELECTRONICS CORPORATION
 IT IS SUBJECT TO CHANGE AND THE CONTROLLING ENGINEERING ORGANIZATION
 SHOULD BE CONTACTED FOR THE LATEST REVISION.

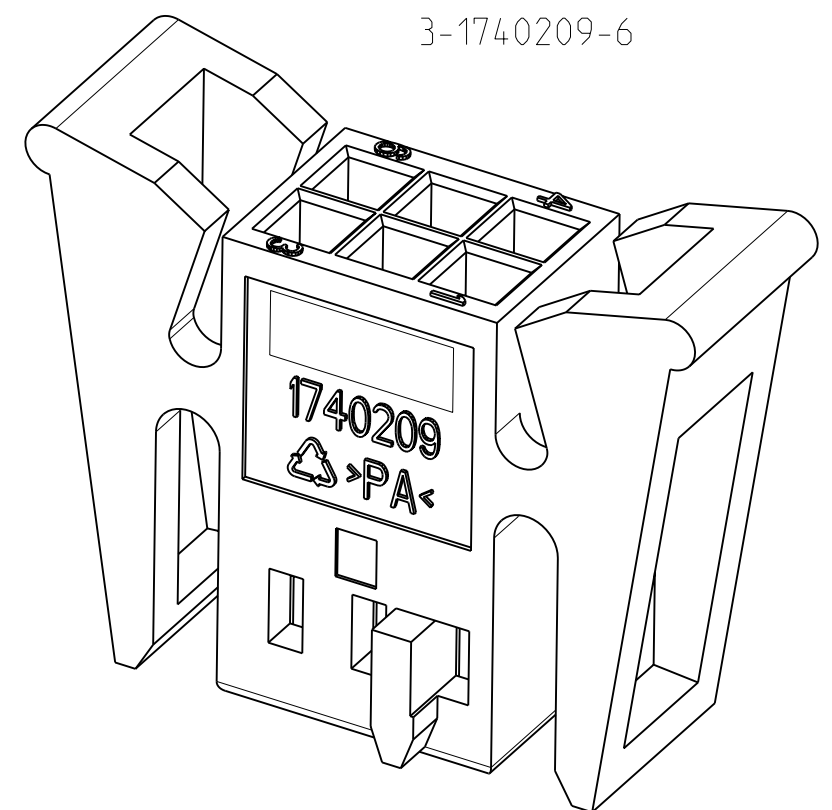
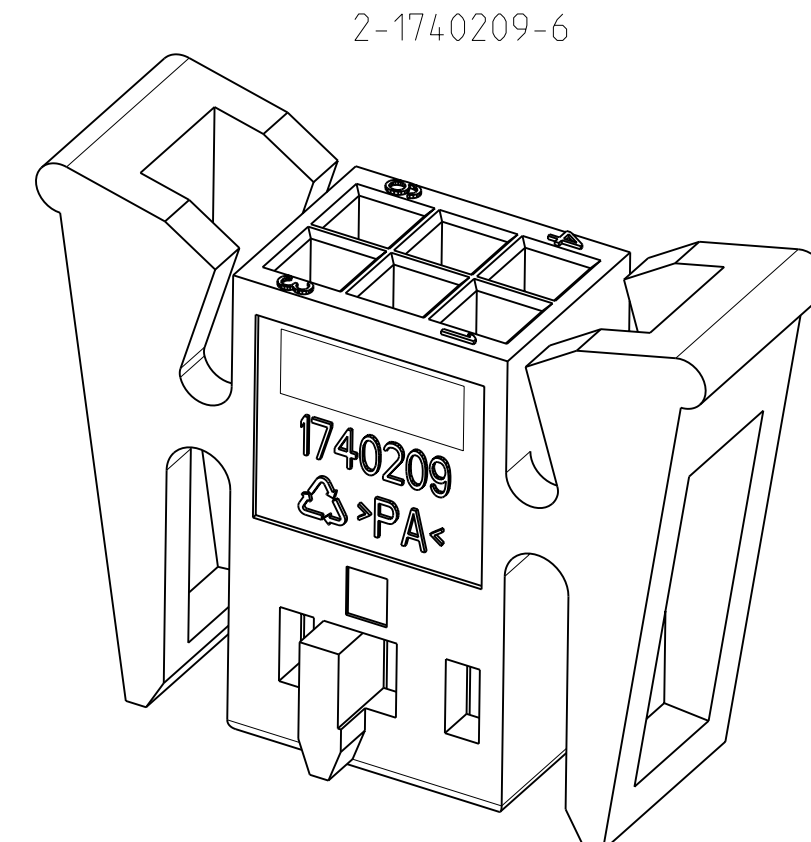
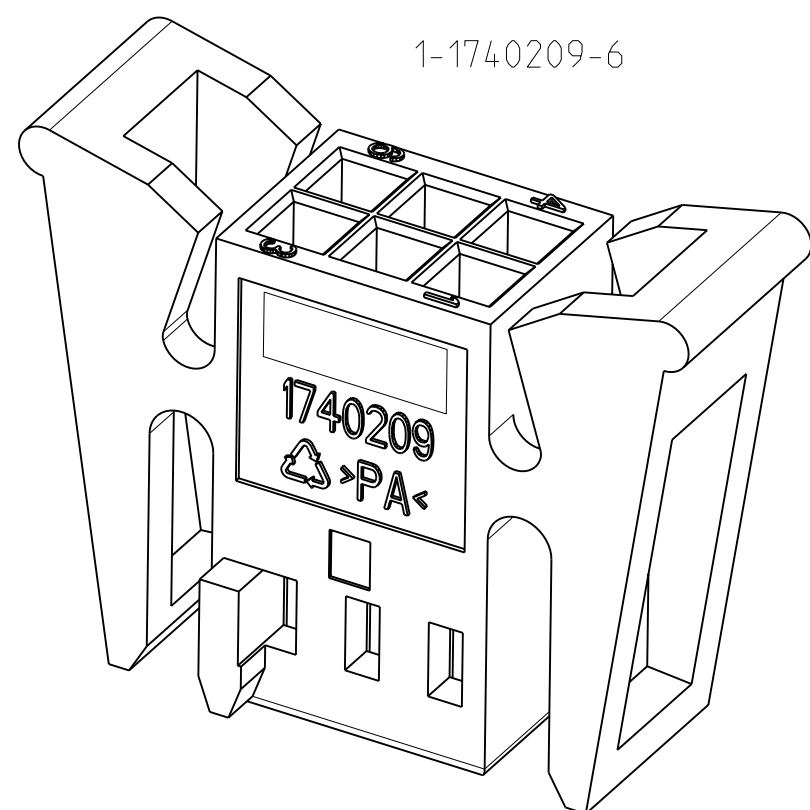
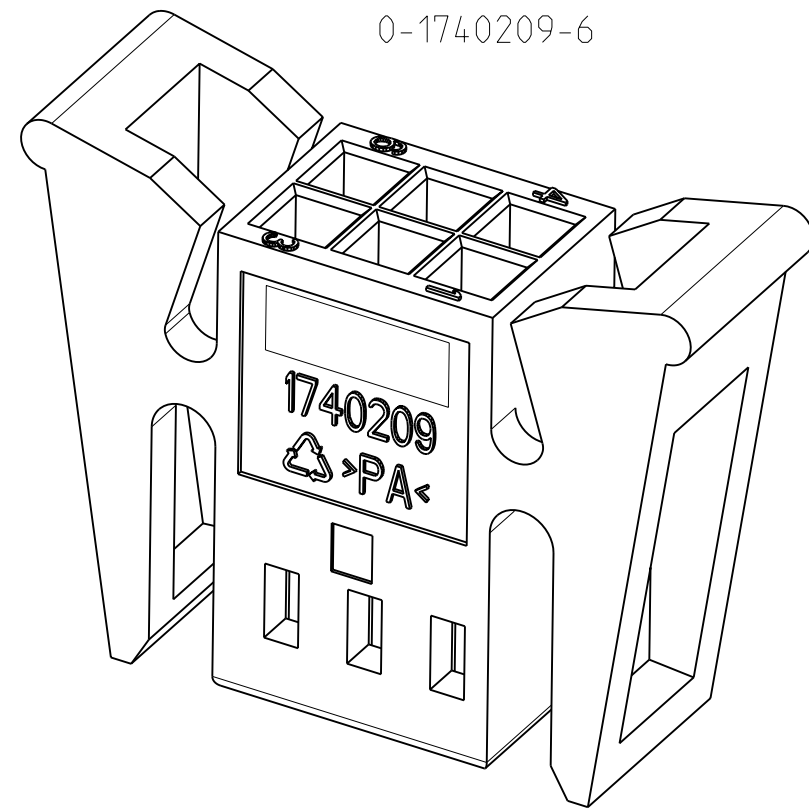
DWN: V Sreedhara 29 JUNE 2009
 CHK: Premjith C H 29 JUNE 2009
 APVD: M.WESTEN 29 JUNE 2009

Tyco Electronics Corporation India (P) LTD
 Bangalore, India

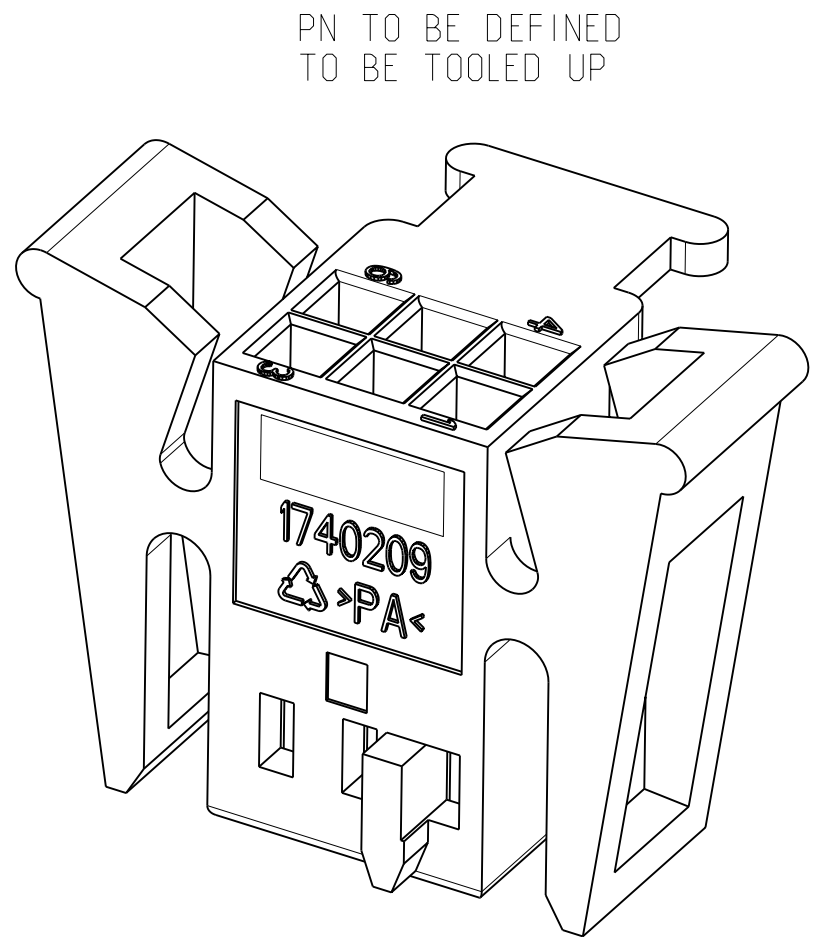
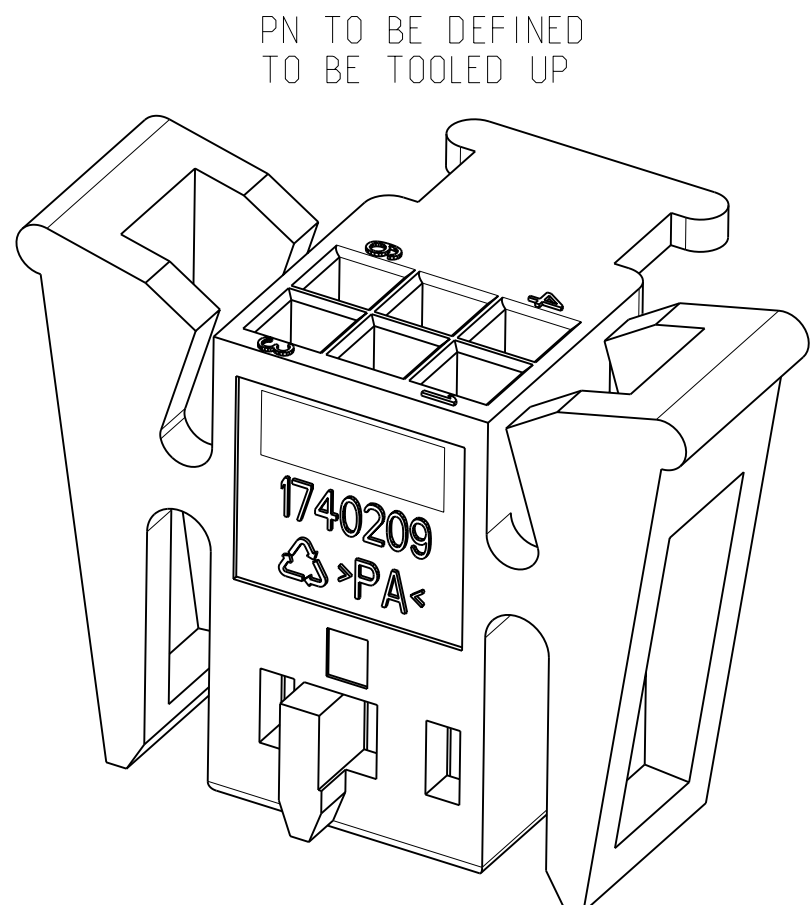
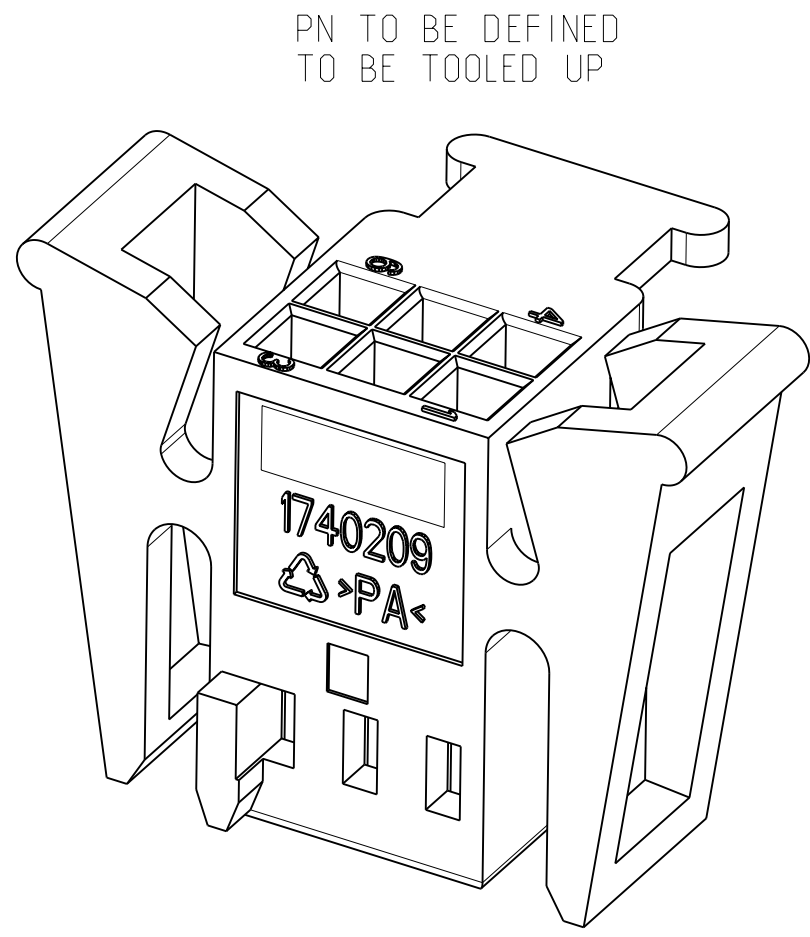
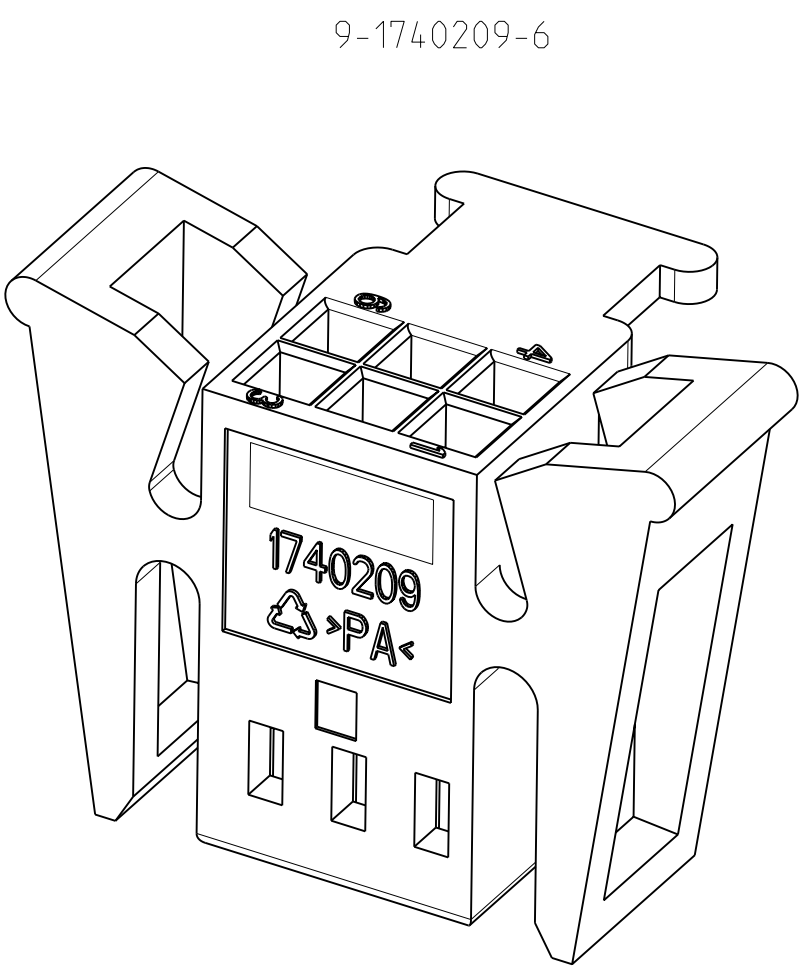
2x3 POS. AMPMODU IV HOUSING

SIZE: A2 CAGE CODE: 00779 DRAWING NO: 1740209 RESTRICTED TO: -
 SCALE: 5:1 SHEET: 1 OF 2 REV: B3

LOC		DIST		REVISIONS			
P	LTR	DATE	DWN	APVD			
IR	-	-	-	-	SEE SHEET 1		



OPTIONAL VERSION WITH CABLE FEED
 OPTIONALE VARIANTE MIT KABELSTEG



<small>THIS DRAWING IS A CONTROLLED DOCUMENT FOR TYCO ELECTRONICS CORPORATION IT IS SUBJECT TO CHANGE AND THE CONTROLLING ENGINEERING ORGANIZATION SHOULD BE CONTACTED FOR THE LATEST REVISION.</small>		DWN <u>V Sreedhara</u> 29 JUNE 2009 CHK <u>Premjith C H</u> 29 JUNE 2009 APVD <u>M.WESTEN</u> 29 JUNE 2009	Tyco Electronics Corporation India (P) LTD Bangalore, India
DIMENSIONS: mm	TOLERANCES UNLESS OTHERWISE SPECIFIED: 0 PLC ±0.2 1 PLC ±0.2 2 PLC ±0.1 3 PLC ± 4 PLC ± ANGLES ±1° FINISH	PRODUCT SPEC SEE SHEET 1 APPLICATION SPEC SEE SHEET 1 WEIGHT -	NAME 2x3 POS. AMPMODU IV HOUSING SIZE A2 CAGE CODE 00779 DRAWING NO. 1740209 RESTRICTED TO -
MATERIAL SEE SHEET 1	FINISH SEE SHEET 1	CUSTOMER DRAWING	SCALE 5:1 SHEET 2 OF 2 REV B3