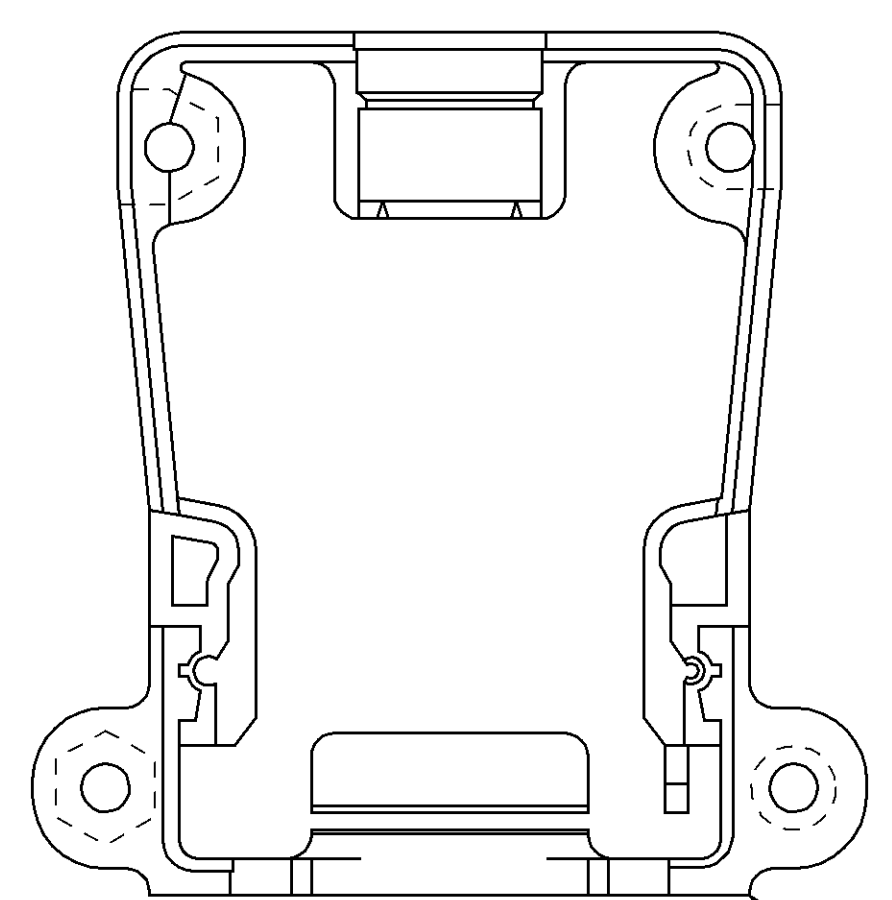
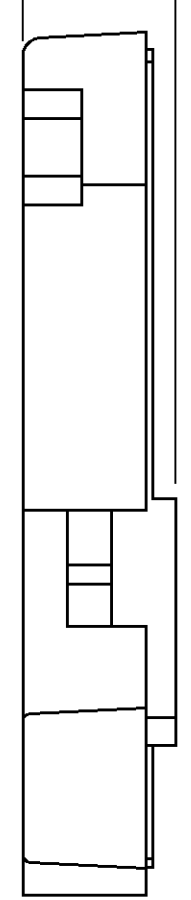


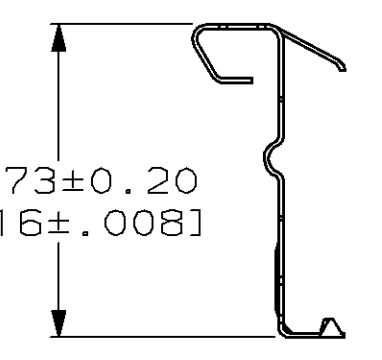
LOC		DIST		REVISIONS			
P	LTR	DESCRIPTION	DATE	OWN	APVD		
E		RLSE PER NPR 23	09 APR 97	WGL			
F		REV PER EC 0320-169-97	27 MAY 97	MB	GM		
G		REV PER EC 0640-321-98	28 AUG 98	MB	JO		
H		REV PER EC 0640-404-98	16 OCT 98	CO	JO		

10.11
[.398]

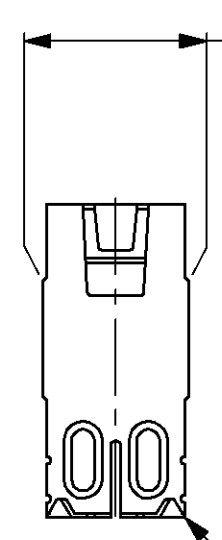


BACKSHELL
QTY=2 PER KIT
788089-4

20.73±0.20
[.816±.008]

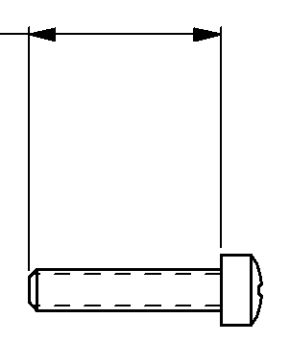


9.65±0.08
[.380±.003]

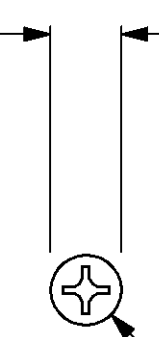


SPRING LATCH
QTY=2 PER KIT
788424-1

12.70^{+0.00}_{-0.76}
[.500⁰_{-.030}]

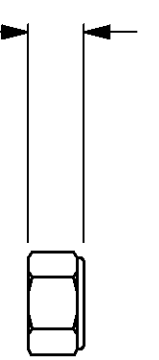


4.65 DIA
[.183]

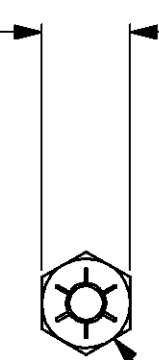


SCREW, 4-40 UNC
QTY=4 PER KIT
4-24282-5

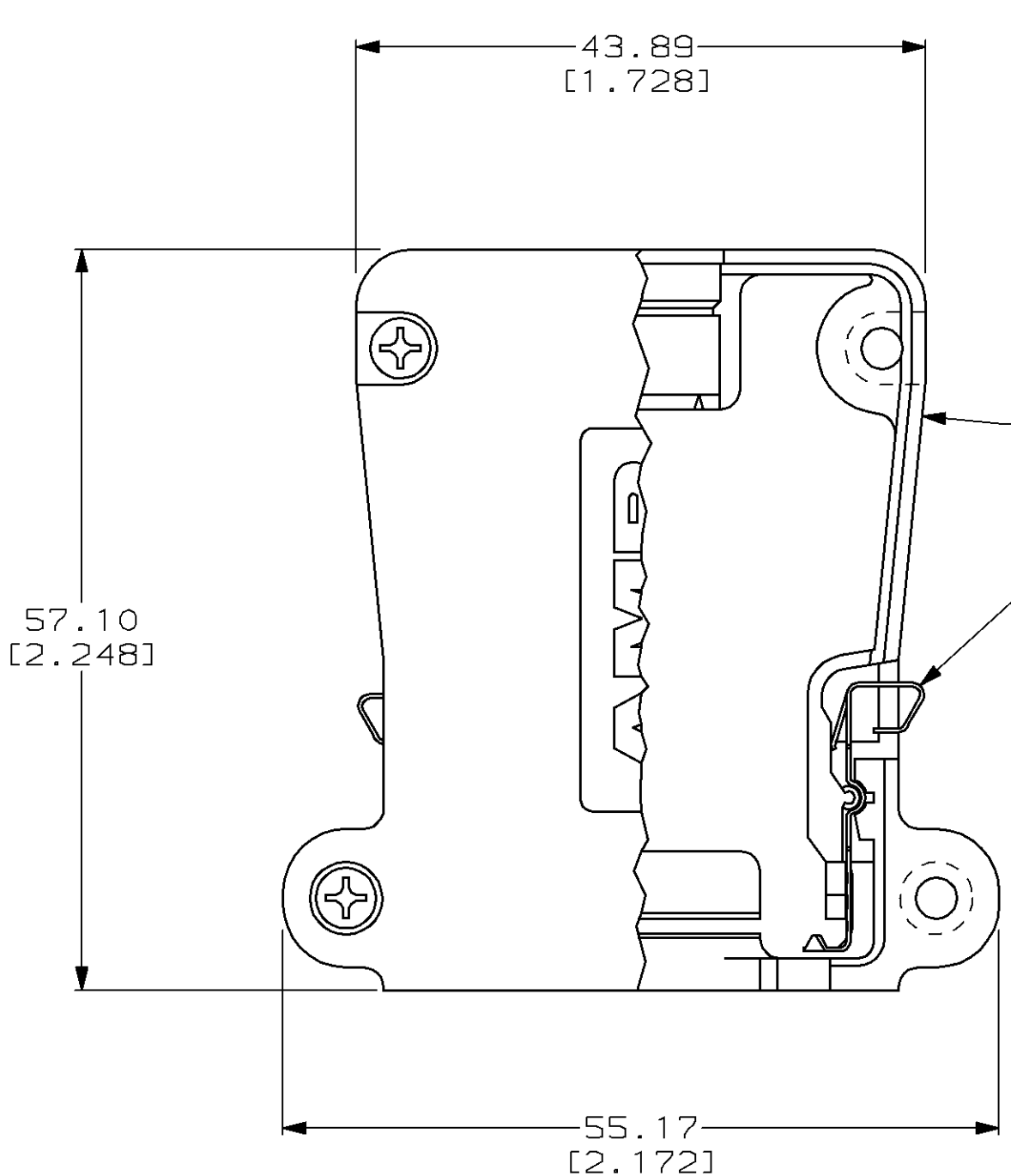
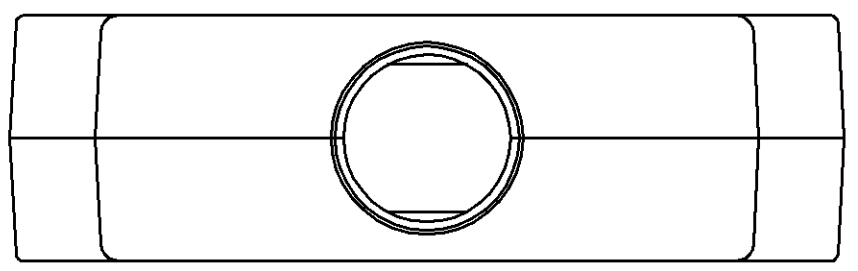
3.63±0.25
[.143±.010]



6.27±0.10 TYP
[.247±.004]
ACROSS FLATS

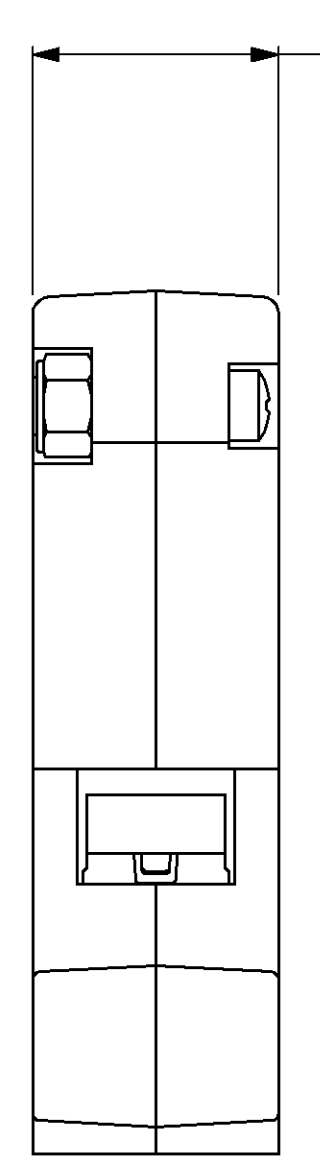


HEX NUT, LOCKING,
4-40 UNC
QTY=4 PER KIT
986046-2

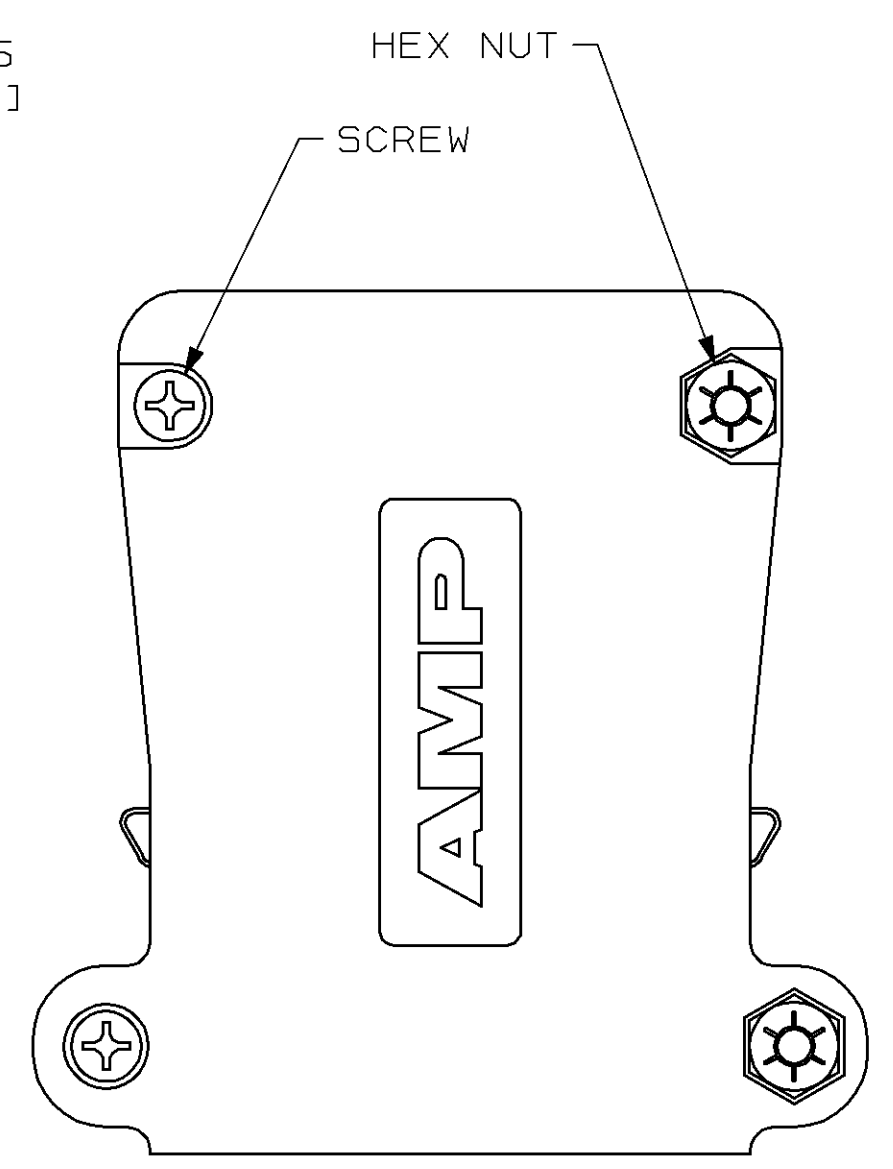


BACKSHELL
SPRING LATCH

16.26±0.25
[.640±.010]



HEX NUT
SCREW



ASSEMBLED VIEWS

- ⚠ BACKSHELL: ABS, NATURAL.
SPRING LATCH: STAINLESS STEEL, HEAT TREATED.
SCREW AND HEX NUT: CARBON STEEL.
- ⚠ BACKSHELL: 4.57µm [.000180] MIN NICKEL OVER 7.62µm [.000300] MIN COPPER,
ALL OVER 0.25µm [.000010] MIN ELECTROLESS NICKEL.
SCREW AND HEX NUT: ZINC.
- ⚠ KITS ARE INDIVIDUALLY PACKED.
- ⚠ KITS ARE BULK PACKED.

4	788069-2
3	788069-1
PART NUMBER	

THIS DRAWING IS A CONTROLLED DOCUMENT.		DWN H. G. LENKER	03 OCT 96	AMP	AMP Incorporated
		CHK R. STONE	14 APR 97		Harrisburg, PA 17105-3508
DIMENSIONS: mm (INCHES)		TOLERANCES UNLESS OTHERWISE SPECIFIED:		NAME G. D. MILLER	
0 PLC ±		0 PLC ±		PRODUCT SPEC	
1 PLC ±		1 PLC ±		108-40032-1	
2 PLC ±		2 PLC ±		APPLICATION SPEC	
3 PLC ±		3 PLC ±		SIZE	
4 PLC ±		4 PLC ±		CAGE CODE	
ANGLES ±		ANGLES ±		DRAWING NO	
FINISH		FINISH		A1 00779	
MATERIAL		MATERIAL		C=788069	
WEIGHT		WEIGHT		SCALE 2:1	
CUSTOMER DRAWING		CUSTOMER DRAWING		SHEET 1 OF 1	
				REV H	