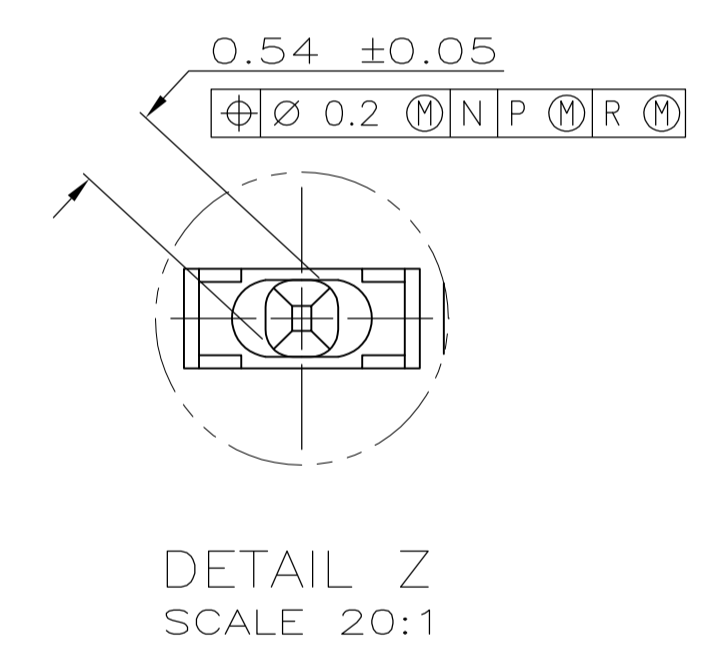


- 1 HOUSING MATERIAL: LIQUID CRYSTAL POLYMER  
COLOR: NATURAL.
- 2 CONTACT MATERIAL: PHOSPHOR BRONZE
- 3 CONTACT FINISH:(B)  
UNDERPLATE (ENTIRE CONTACT):  
0.00127 MIN NICKEL PER SAE-AMS-QQ-N-290  
ON MATING SURFACES:  
CONFORMS TO ALL TESTING SPECIFIED FOR TELCORDIA  
UNCONTROLLED ENVIRONMENT.  
ON LEADS:  
0.0006 MIN MATTE TIN PER ASTM B 545 OVER UNDERPLATE.  
LUBRICATION (MIN MATING SURFACES):  
SURFACE CONDITIONER AFTER PLATING.
- 4 PART MARKING LOCATED APPROXIMATELY AS SHOWN.
- 5 DIMENSION APPLIES WHEN SEATED ON PRINTED CIRCUIT BOARD.



OBSOLETE	260	130	131.88	330	1-5223016-1
OBSOLETE	118	59	119.88	300	1-5223016-0
OBSOLETE	106	53	107.88	270	5223016-9
	94	47	95.88	240	5223016-8
OBSOLETE	82	41	83.88	210	5223016-7
OBSOLETE	140	70	71.88	180	5223016-6
	58	29	59.88	150	5223016-5
	46	23	47.88	120	5223016-4
	34	17	35.88	90	5223016-3
	22	11	23.88	60	5223016-2
	10	5	11.88	30	5223016-1
	C	B	A	NO OF SIGNAL POSN	PART NUMBER

THIS DRAWING IS A CONTROLLED DOCUMENT.

DIMENSIONS:	TOLERANCES UNLESS OTHERWISE SPECIFIED:	DIN B MCMMASTER 22NOV04	Tyco Electronics Corporation
mm	0 PLC ± -	CHK R WERTZ 22NOV04	Harrisburg, Pa 17105-3608
	1 PLC ± -	APP'D R WERTZ 22NOV04	NAME
	2 PLC ± 0.13	PRODUCT SPEC	ASSEMBLY, PIN, SIGNAL, VERTICAL, Z-PACK 2mm FB, 5 ROW, PRESS FIT LEADS
	3 PLC ± -	APPLICATION SPEC	SIZE CAGE CODE DRAWING NO
	4 PLC ± -	RESTRICTED TO	A1 00779 C=5223016
	ANGLES ± -	WEIGHT	SCALE 4:1 SHEET 1 OF 1 REV 02
MATERIAL	FINISH	CUSTOMER DRAWING	