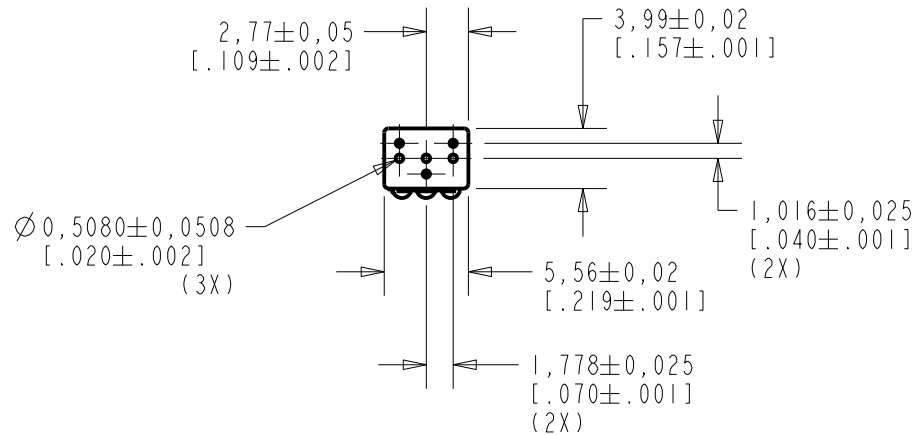


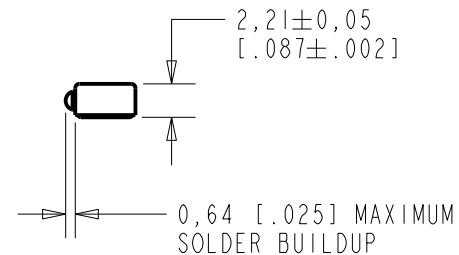
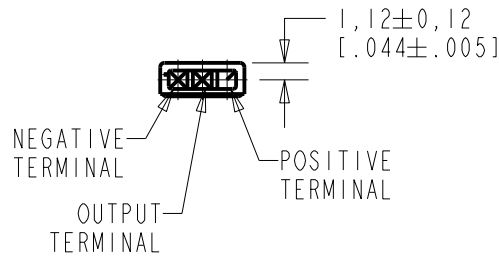
NR-25994-000
SHT 1.1



NOTE:

1. INCREASED PRESSURE AT THE SOUND INLET CAUSES A POSITIVE GOING VOLTAGE TO APPEAR AT THE OUTPUT TERMINAL, RELATIVE TO THE NEGATIVE TERMINAL.

RED CONTROLLED



NOMINAL WEIGHT
.13 GRAM



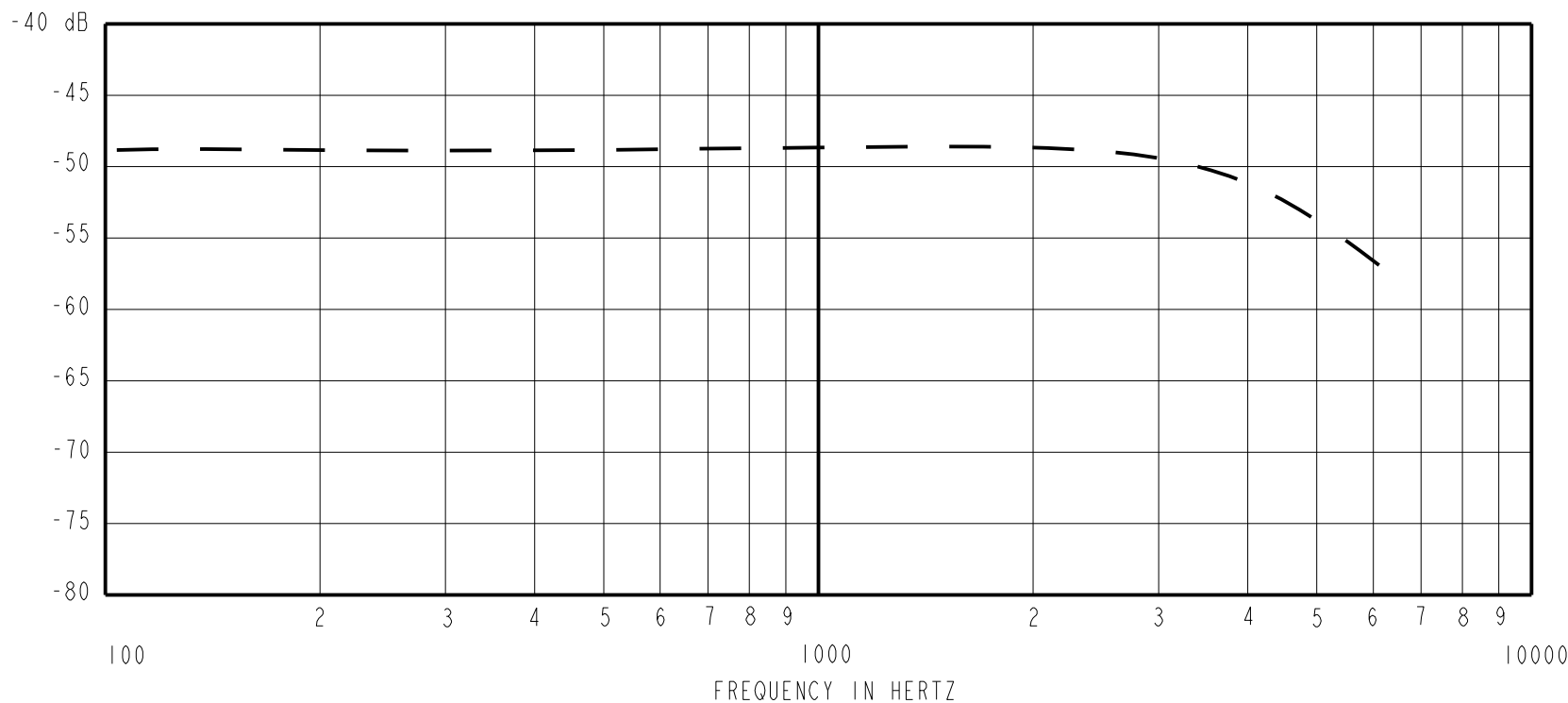
Ø 0.508±0.025
[.020±.001]
(15X)

DIMENSIONS IN MILLIMETERS [INCHES]

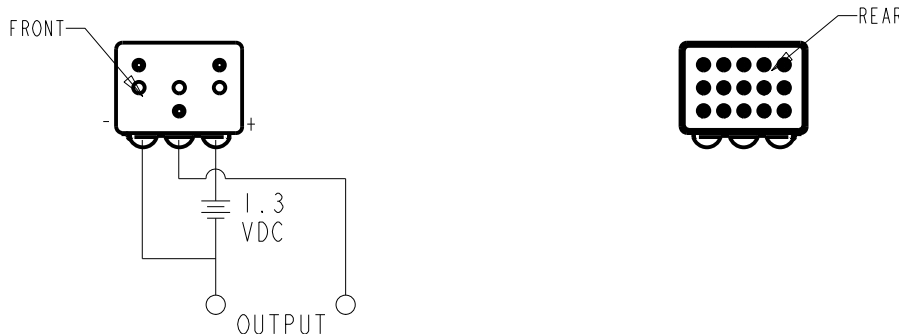
KNOWLES ELECTRONICS
ITASCA, ILLINOIS U.S.A.

| Revision | C.O. # | Implementation Date | RELEASE LEVEL | REVISION |
|--------------------------|-----------|---------------------|---------------------|----------|
| | | | Active | D |
| D | MI0105063 | 5-07-13 | | |
| SCALE: 2:1 | | | | |
| DO NOT SCALE DRAWING | | | DR. BY | DATE |
| TITLE: MICROPHONE | | | SDZ | 7-17-06 |
| | | | NR-25994-000 | |
| OUTLINE DRAWING | | | GJP | 7-17-06 |
| | | | SHT 1.1 | |
| | | | GJP | 7-17-06 |

SENSITIVITY IN dB RELATIVE TO 1.0 VOLT/0.1 Pa (N/M²)
FOR CONDITIONS SHOWN BELOW.



| FREQUENCY | SENSITIVITY | | | DEVICE CONFORMITY | |
|-----------|-------------|-------|-------|------------------------------|------|
| | MIN. | NOM. | MAX. | RANGE OF DEVIATION FROM 1KHz | |
| 100 | --- | -49.0 | --- | -2.0 | +2.0 |
| 1000 | -52.0 | -49.0 | -46.0 | 0.0 | 0.0 |
| 4000 | --- | -51.0 | --- | -5.0 | +1.0 |



NOTES:

- CASE CONNECTED TO NEGATIVE TERMINAL.
- MICROPHONE TO BE FUNCTIONAL WITH 10 VDC SUPPLY.
- SENSITIVITY VALUES INDICATED ON THIS SPECIFICATION ARE VALID AT 50% HUMIDITY.
- PRESSURE DIFFERENCE SENSITIVITY TESTED WITH REAR SOUND PORT SEALED TO AIR VOLUME OF AT LEAST 0.5 CC.
- VL SPEC: 0.15 - 0.90V

RED CONTROLLED

| PORT LOCATION | DC SUPPLY | AMPLIFIER CURRENT DRAIN | OUTPUT IMPEDANCE OHMS | | | "A" WEIGHTED NOISE [RE 1.0 V] |
|---------------|-----------|-------------------------|-----------------------|------|------|---------------------------------|
| | | | MIN. | NOM. | MAX. | |
| Ka, Ja | 1.3V | 50uA MAX. | 2800 | 4400 | 6800 | -99 dB MAX. |

| Revision | C.O. # | Implementation Date | RELEASE LEVEL | REVISION |
|----------|-----------|---------------------|---------------|----------|
| D | MI0105063 | 5-8-13 | Active | D |

KNOWLES ELECTRONICS
ITASCA, ILLINOIS U.S.A.

WHEN TEST LIMITS ARE USED TO ESTABLISH INCOMING INSPECTION ACCEPTANCE/REJECTION CRITERIA, CORRELATION OF TEST EQUIPMENT WITH KNOWLES IS ALSO REQUIRED FOR ELIMINATION OF EQUIPMENT AND TEST METHOD VARIATION

TITLE: **MICROPHONE**
PERFORMANCE SPECIFICATION

NR-25994-000
SHT 2.1




| DR. BY | DATE |
|---------|---------|
| SDZ | 7-17-06 |
| CK. BY | DATE |
| GJP | 7-17-06 |
| APP. BY | DATE |
| GJP | 7-17-06 |

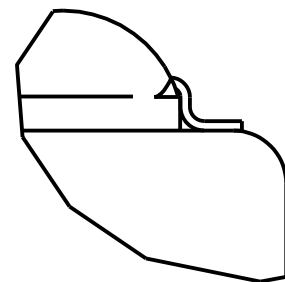
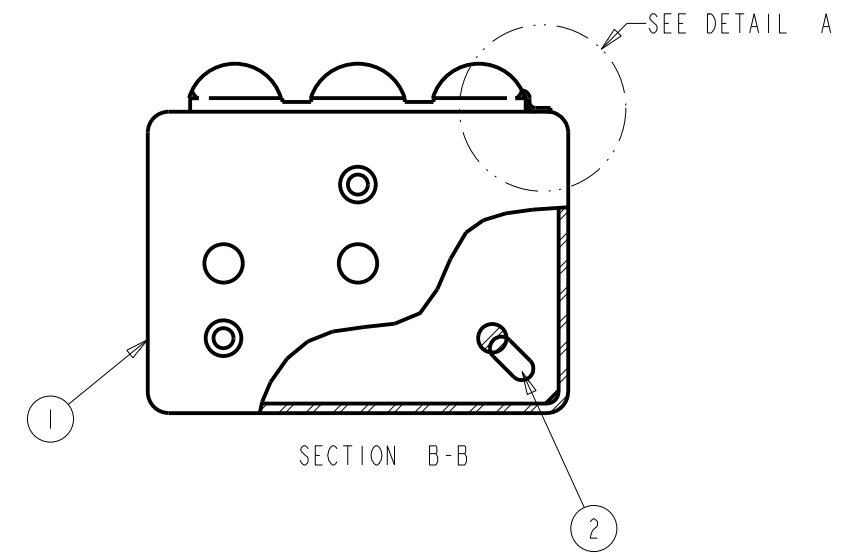
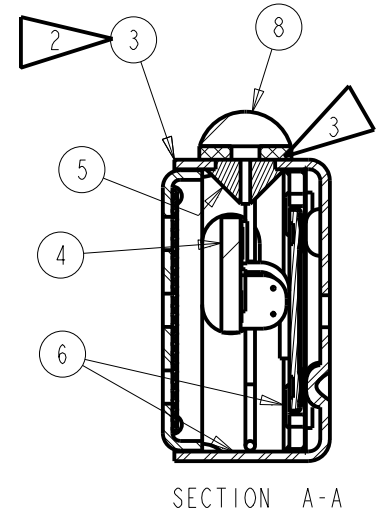
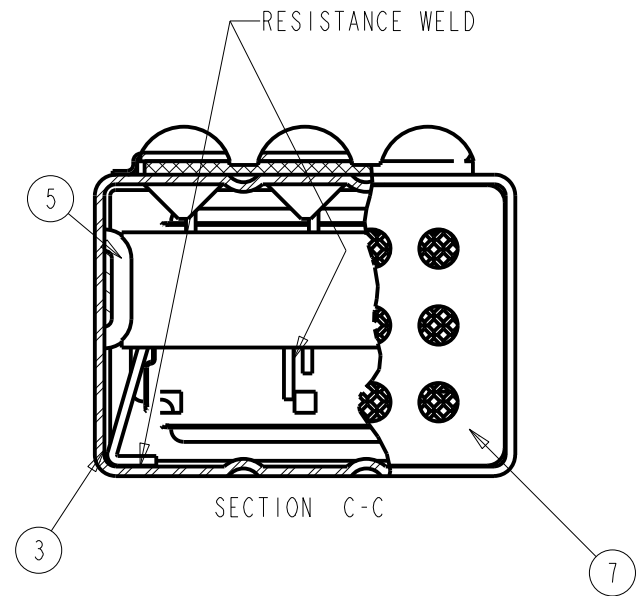
NR-25994-000

PROPRIETARY NOTE: THIS DOCUMENT CONTAINS INFORMATION WHICH IS THE PROPRIETARY PROPERTY OF KNOWLES ELECTRONICS, LLC. OR ITS AFFILIATED ENTITIES. IT IS ISSUED IN STRICT CONFIDENCE AND SHALL NOT BE REPRODUCED, COPIED, USED, OR DISCLOSED TO ANY THIRD PARTY PARTIALLY OR WHOLLY IN ANY MANNER WITHOUT PRIOR WRITTEN PERMISSION OF, AND MUST BE RETURNED UPON REQUEST BY, KNOWLES ELECTRONICS, LLC.

RED CONTROLLED

NOTES:

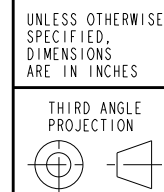
- 1. ITEM NUMBERS (SHOWN THUS ) ON DRAWING CORRESPOND WITH ITEM NUMBERS ON BILL OF MATERIAL.
-  AIRTIGHT SEAL ALL AROUND.
-  WEB ON ITEM (4) TO EXTEND OVER METALLIZED AREA OF TAB ON ITEM (1).



SCALE 25:1

DIMENSIONS IN MILLIMETERS [INCHES]

| | | | | | | | |
|----------|----------------|-----------------------|--|---------------------|--|---------------|----------------------|
| MATERIAL | | SEE BILL OF MATERIALS | | FINISH - - - | | RELEASE LEVEL | REVISION |
| | | | | | | Active | D |
| | | | | | | SCALE: 10:1 | DO NOT SCALE DRAWING |
| | | | | | | DR. BY DATE | |
| | | | | | | SDZ 7-17-06 | |
| | | | | | | CH. BY DATE | |
| | | | | | | GJP 7-17-06 | |
| | | | | | | APP. BY DATE | |
| | | | | | | GJP 7-17-06 | |
| REF. | NONE | TITLE | | MICROPHONE ASSEMBLY | | NR-25994-000 | |
| A | c.o. M10101181 | | | | | SHEET 3.1 | |
| B | c.o. M10101282 | | | | | | |
| | | | | | | | |
| C | c.o. M10101377 | | | | | | |
| | | | | | | | |
| D | c.o. M10105063 | | | | | | |
| | | | | | | | |



| | | | | | | |
|--------------|-----|---------|-------------------------|---------------------|--------------|---------------|
| NR-25994-000 | | | KNOWLES ELECTRONICS | | NR-25994-000 | |
| Sheet 4.1 | | | ITASCA, ILLINOIS U.S.A. | | Sheet 4.1 | |
| Dr. | By | Date | Subject: | MICROPHONE ASSEMBLY | Revision | D |
| Ch. | GJP | 7-17-06 | | | | |
| App. | GJP | 7-17-06 | | | | |
| | | | | | | Release Level |
| | | | | | | Active |

| COL. 1 | 2 | 3 | 4 | Item No. | Line No. |
|-------------------|-----------|-----------------------------|-----------------------------|----------|----------|
| Part or Dwg. no. | Tot. Req. | Nomenclature: | Applicable Specs or Remarks | | |
| NR-100 | 1 | ASSEMBLY CUP & TAB | | 1 | 1 |
| NR-102 | 1 | RING, FILM & PLATE ASSEMBLY | | 2 | 2 |
| (D) 13-092-080101 | A/R | CEMENT | | 3 | 3 |
| EK02-282 | 1 | CIRCUIT ASSEMBLY WITH WIRES | | 4 | 4 |
| (D) 13-092-080704 | A/R | CEMENT | | 5 | 5 |
| (D) 13-138-314 | A/R | CEMENT | | 6 | 6 |
| NR-114 | 1 | ASSEMBLY CUP & SCREEN | | 7 | 7 |
| 285-007-001 | A/R | SOLDER LEAD FREE | | 8 | 8 |

RED CONTROLLED

| | | |
|---|-----------------------------------|----------------|
| REVISION | A | c.o. M10101181 |
| | B | c.o. M10101282 |
| | ADDED GROUND WIRE LSY 11-20-06 | |
| | C | c.o. M10101377 |
| MODIFIED SHEET 2.1 ADDED SHEET 5.1 CRG 1-17-07 | | |
| D | c.o. M10105063 | |
| 13-092-080101 WAS 13-092 13-092-080704 WAS 13-092 13-138-314 WAS 13-138 00 5-07-13 | | |

NR-25994-000
Sheet 4.1

PROPRIETARY NOTE: THIS DOCUMENT CONTAINS INFORMATION WHICH IS THE PROPRIETARY PROPERTY OF KNOWLES ELECTRONICS, LLC. OR ITS AFFILIATED ENTITIES. IT IS ISSUED IN STRICT CONFIDENCE AND SHALL NOT BE REPRODUCED, COPIED, USED, OR DISCLOSED TO ANY THIRD PARTY PARTIALLY OR WHOLLY IN ANY MANNER WITHOUT PRIOR WRITTEN PERMISSION OF, AND MUST BE RETURNED UPON REQUEST BY, KNOWLES ELECTRONICS, LLC.

REV: D

PRODUCTION TEST INFORMATION

| | |
|------------------------------|-------------------|
| SOFTWARE REVISION GPIB FCAMT | SOFTWARE 5.2 MIN. |
| HARDWARE REVISION GPIB FCAMT | KE 10698.10A MIN. |

RED CONTROLLED

| Revision | C.O. # | Implementation Date | RELEASE LEVEL | REVISION |
|----------|-----------|---------------------|---------------|----------|
| | | | Active | D |
| D | M10105063 | 5-07-13 | | |

KNOWLES ELECTRONICS
 ITASCA, ILLINOIS U.S.A.

WHEN TEST LIMITS ARE USED TO ESTABLISH INCOMING INSPECTION ACCEPTANCE/REJECTION CRITERIA, CORRELATION OF TEST EQUIPMENT WITH KNOWLES IS ALSO REQUIRED FOR ELIMINATION OF EQUIPMENT AND TEST METHOD VARIATION

TITLE: **MICROPHONE** **NR-25994-000**
 PERFORMANCE SPECIFICATION **SHT 5.1**

| | |
|---------|---------|
| DR. BY | DATE |
| SDZ | 7-17-06 |
| CK. BY | DATE |
| GJP | 7-17-06 |
| APP. BY | DATE |
| GJP | 7-17-06 |