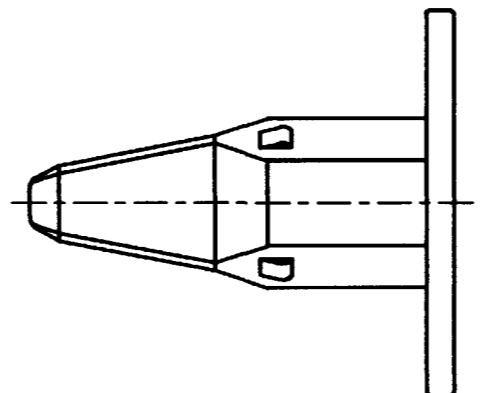
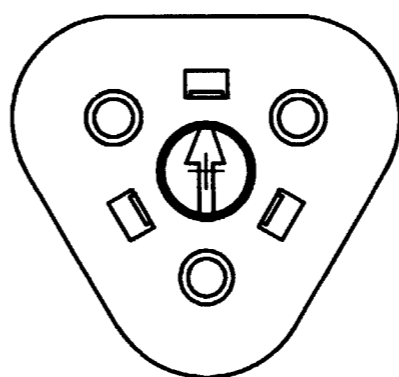
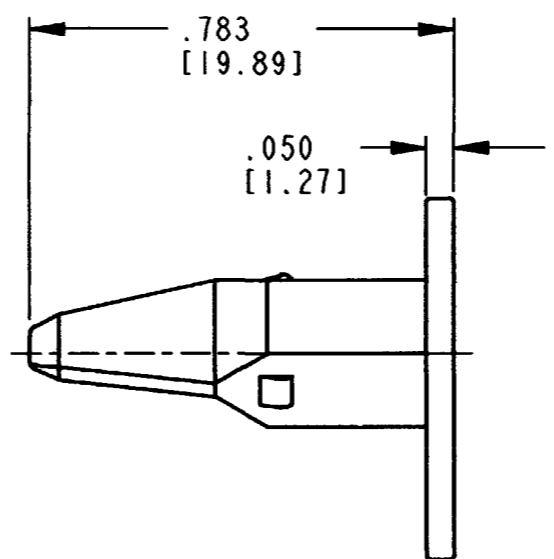
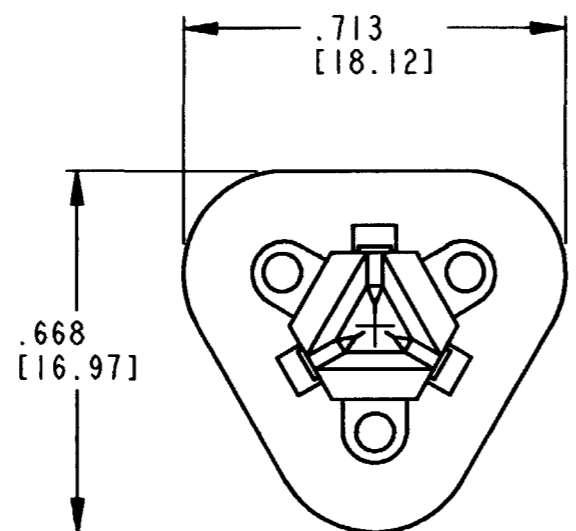


REV  
D

W3S

REVISIONS			
SYM	DESCRIPTION	DATE	APPROVED
A	REVISED AND REDRAWN PER E.O. A09309	4/25/90	J.A.
B	REVISED PER E.O. P15222	2-12-97	RDR
C	REVISED PER E.O. P17508	11-16-01	RDR
D	REVISED PER E.O. P19968	11-17-08	RDR



- 5. MATERIAL: PLASTIC; COLOR: ORANGE
- 4. W3S WEDGE USED WITH DT06-3S PLUG.
- 3. CONSULT FACTORY FOR APPLICATION.
- 2. DIMENSIONS ARE ±.025 [1.64] UNLESS OTHERWISE SPECIFIED.

NOTES: 1. ALL DIMENSIONS ARE IN INCHES [MILLIMETERS].

SIGNATURE & DATE	
DR	A. LEE 4FEB97
CHK	<i>[Signature]</i> 11/14/08
PE	<i>[Signature]</i> 11/22/08
APPD	<i>[Signature]</i> 11-13-08
SCALE	NONE WT

WEDGE LOCK  
FOR  
3 WAY PLUG  
COLOR: ORANGE  
DT SERIES

ENVELOPE

EP	MATL. CODE
3850 INDUSTRIAL AVE. HEMET, CA 92545	
<b>B</b>	<b>W3S</b>
DWG SIZE	CODE 11139 SHEET   OF