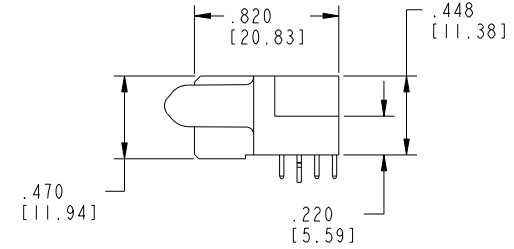
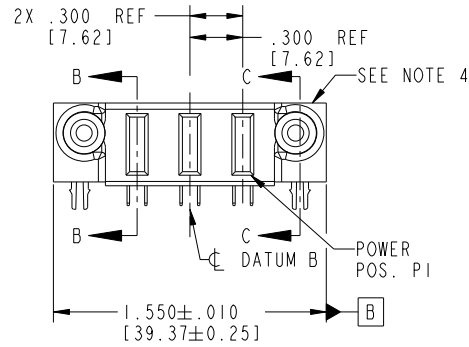
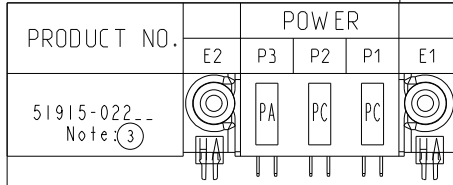


Tous droits strictement reserves. Reproduction ou communication a des tiers interdicte sous quelque forme que ce soit sans autorisation ecrite du proprietaire. Propriete de c FCI. Droits de reproduction FCI.



All rights strictly reserved. Reproduction or issue to third parties in any form whatever is not permitted without written authority from the proprietor. Property of FCI. Copyright FCI.



CODE	DIM "M" MATING LENGTH	CONTACT TYPE
PA	.042 [1.07]	POWER
PC	.092 [2.34]	POWER
HA	N/A [N/A]	HOLD-DOWN

mat'l code SEE NOTE 2				tolerances unless otherwise specified		CUSTOMER		 www.fciconnect.com	
ltr	ecn no.	dr	date	linear	.XX±.01/0.X±0.3	COPY		title	
A	V03-0391	MEM	4/7/03		.XXX±.005/0.XX±0.13	projection		3ACP	
B	DG05-0111	GuoJM	05/19/05		.XXX±.0020/0.XXX±0.051			R/A SOLDER RECEPTACLE	
C	DG09-0003	WD	02/05/09	angles	0°±2°	INCH/MM		product family PwrBlade code	
				dr	M. MOSTOLLER 4/7/03	scale		size	
				enrg	M. MOSTOLLER 4/7/03	1:1		dwg no	
				chr	H. BREWBAKER 4/7/03			A 51915-022	
				appd	M. MOSTOLLER 4/7/03			sheet	
								1 of 4	
sheet index	revision sheet	C	C	C	C				
		1	2	3	4				

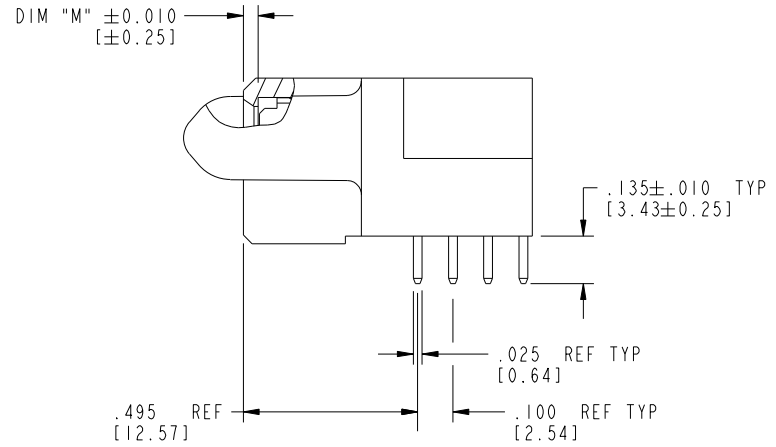
cage code 22526

Tous droits strictement reserves. Reproduction ou communication a des tiers interdite sous quelque forme que ce soit sans autorisation écrite du propriétaire. Propriete de c FCI. Droits de reproduction FCI.

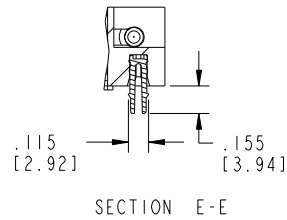
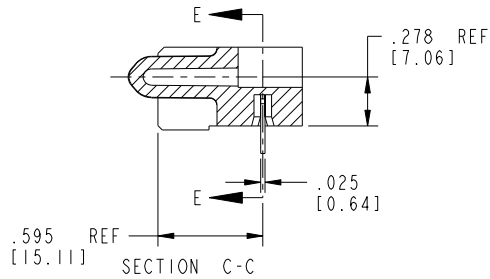


All rights strictly reserved. Reproduction or issue to third parties in any form whatever is not permitted without written authority from the proprietor. Property of FCI. Copyright FCI.

PRODUCT NUMBER  
51915-022--  
Note: ③



BROKEN-OUT SECTION B-B  
SCALE 2:1



mat'l code		SEE NOTE 2		tolerances unless otherwise specified		CUSTOMER		 www.fciconnect.com	
ltr	ecn no.	dr	date	linear	.XX±.01/0.X±0.3	COPY		title	
C					.XXX±.005/0.XX±0.13	projection		3ACP	
				angles	.XXX±.0020/0.XXX±0.051			R/A SOLDER RECEPTACLE	
				dr	M. MOSTOLLER 4/7/03			product family	
				enrg	M. MOSTOLLER 4/7/03	scale		PwrBlade	
				chr	H. BREWBAKER 4/7/03	1:1		code	
				appd	M. MOSTOLLER 4/7/03	size		213	
sheet index		revision sheet				A		2 of 4	
						dwg no		51915-022	
						cage code		22526	

Pro/E

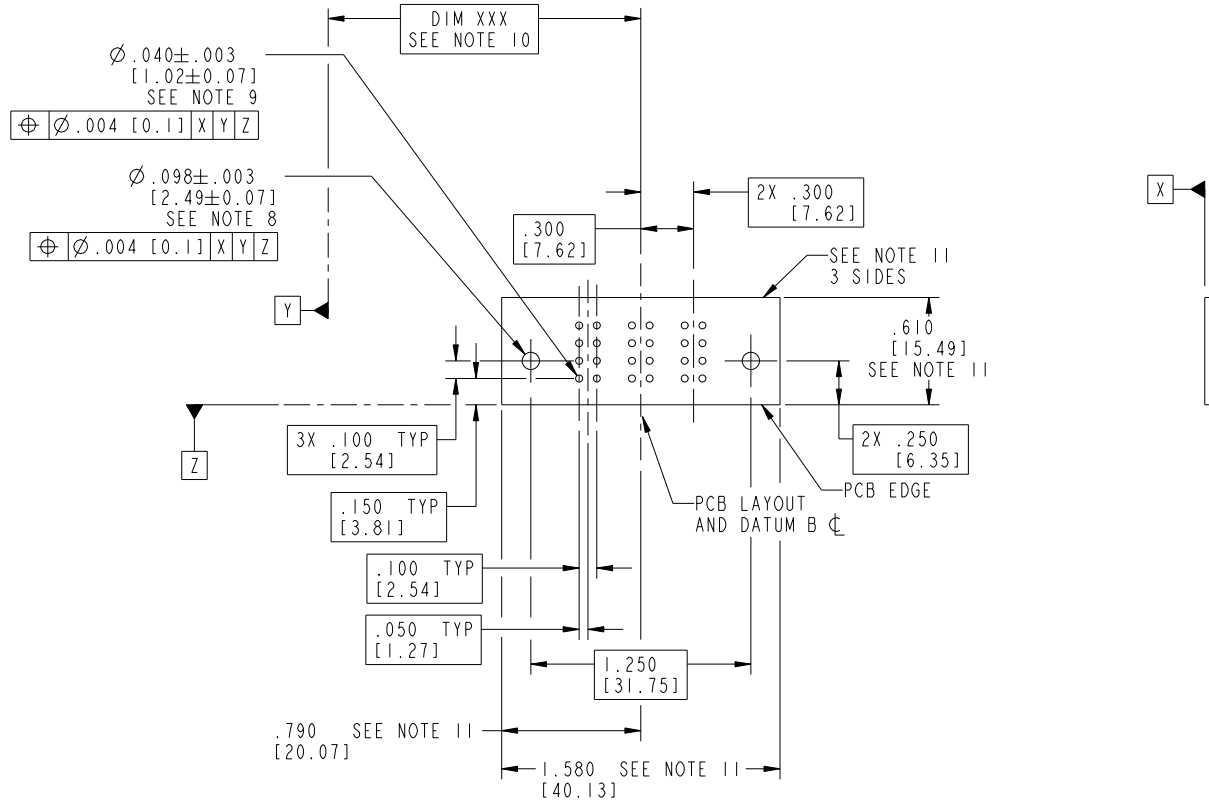
cage code 22526

Tous droits strictement reserves. Reproduction ou communication a des tiers interdicte sous quelque forme que ce soit sans autorisation ecrite du propriétaire. Propriete de c FCI. Droits de reproduction FCI.



All rights strictly reserved. Reproduction or issue to third parties in any form whatsoever is not permitted without written authority from the proprietor. Property of FCI. Copyright FCI.

PRODUCT NUMBER  
51915-022--  
Note: (3)



mat'l code		SEE NOTE 2		tolerances unless otherwise specified		CUSTOMER		 www.fciconnect.com	
lfr	ecr no.	dr	date	linear	.XX±.01/0.X±0.3	COPY		title	
C					.XXX±.005/0.XX±0.13	projection		3ACP	
				angles	.XXX±.002/0.XXX±0.051			R/A SOLDER RECEPTACLE	
				dr	0°±2°	INCH/MM		product family	
				enr	M. MOSTOLLER 4/7/03	scale		PwrBlade	
				chr	M. MOSTOLLER 4/7/03	1:1		code	
				app	H. BREWBAKER 4/7/03			size	
sheet index		revision sheet				A		dwg no	
								51915-022	
								sheet	
								3 of 4	

cage code 22526

Pro/E

Tous droits strictement reserves. Reproduction ou communication a des tiers interdite sous quelque forme que ce soit sans autorisation écrite du propriétaire. Propriete de c FCI. Droits de reproduction FCI.



All rights strictly reserved. Reproduction or issue to third parties in any form whatever is not permitted without written authority from the proprietor. Property of FCI. Copyright FCI.

PRODUCT NUMBER  
51915-022--  
Note: (3)

NOTES:

1. DIMENSIONS AND TOLERANCES ARE IN ACCORDANCE WITH ASME Y14.5M, 1994 UNLESS OTHERWISE SPECIFIED.

CONNECTOR NOTES:

(2) HOUSING MATERIAL: UL 94 V-0 GLASS FILLED HIGH-TEMP THERMOPLASTIC

POWER CONTACT MATERIAL: COPPER ALLOY  
SIGNAL PIN MATERIAL: COPPER ALLOY

(3) SEE ITEM 5 & 6 IN PRINT 10064183 FOR PLATING SPEC OF 51915-022 AND 51915-022LF RESPECTIVELY.

(4) MANUFACTURER'S NAME, P/N, AND DATE CODE TO APPEAR ON THIS SURFACE.

5. PRODUCT SPECIFICATION GS-12-149.  
APPLICATION SPECIFICATION BUS-20-067.

6. PACKAGED IN TRAYS.

PCB NOTES:

7. ALL HOLE DIAMETERS ARE FINISHED HOLE SIZE.

(8) MOUNTING HOLES, WHERE APPLICABLE, ARE UNPLATED.

(9)  $\varnothing .0453 \pm .0010$  [1.151 ± 0.025] DRILLED HOLES PLATED WITH  
.0003 [0.008] MIN SnPb OVER .001 [0.03]  
TO .003 [0.08] Cu PLATING TO ACHIEVE  
 $\varnothing .040 \pm .003$  [1.02 ± .07] HOLE.

(10) "DIM XXX" TO BE DETERMINED BY THE CUSTOMER.

(11) CONNECTOR KEEP-OUT ZONE.

12. A (C) SYMBOL WILL BE NEXT TO ANY DIMENSION, VIEW, OR NOTE WHICH HAS BEEN MODIFIED WITH THE CURRENT DRAWING REVISION.

mat'l code				SEE NOTE 2		tolerances unless otherwise specified		CUSTOMER		www.fciconnect.com	
ltr	ecn no.	dr	date	linear	.XX±.01/0.X±0.3		COPY			title	
C					.XXX±.005/0.XX±0.13		projection			3ACP	
					.XXX±.002/0.XXX±0.051					R/A SOLDER RECEPTACLE	
				angles	0°±2°		INCH/MM		product family		
				dr	M. MOSTOLLER	4/7/03	scale		PwrBlade		
				enrg	M. MOSTOLLER	4/7/03	1:1		code		
				chr	H. BREWBAKER	4/7/03	A		213		
				appd	M. MOSTOLLER	4/7/03	size		sheet		
sheet index		revision sheet						51915-022		4 of 4	

cage code 22526