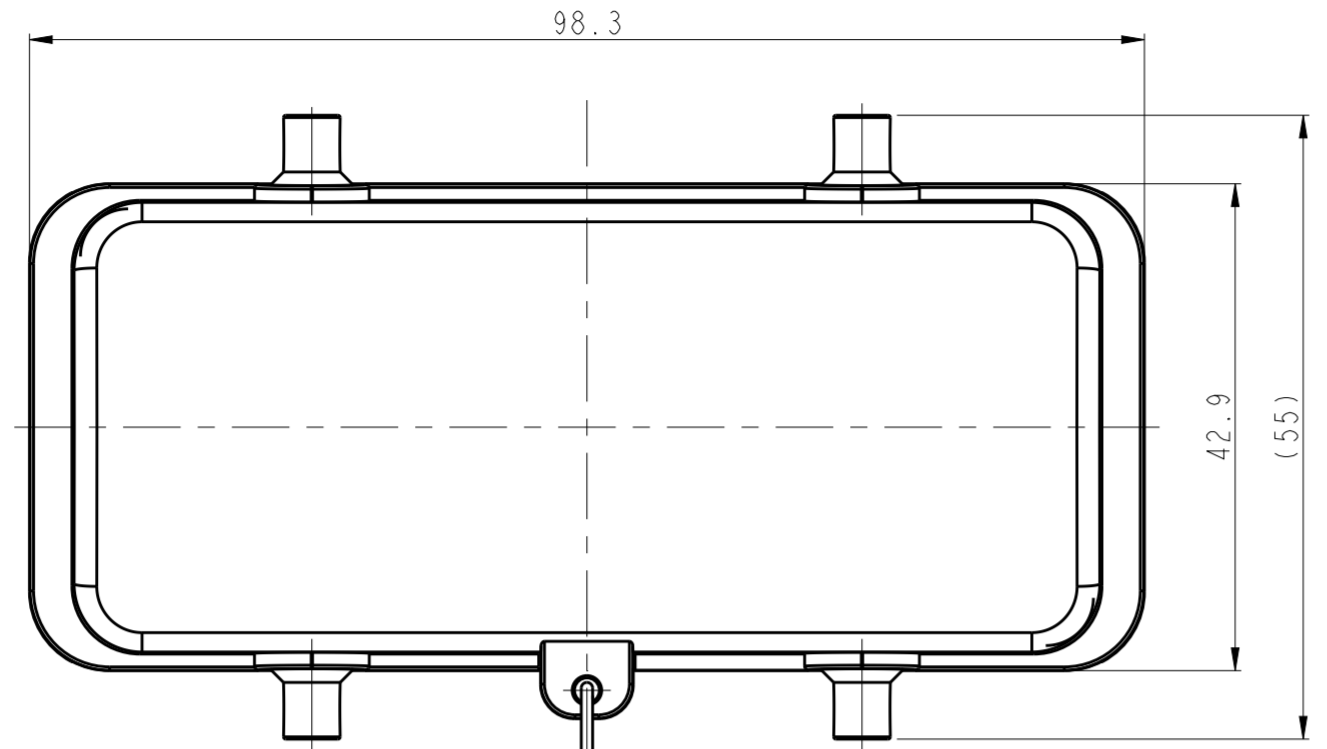
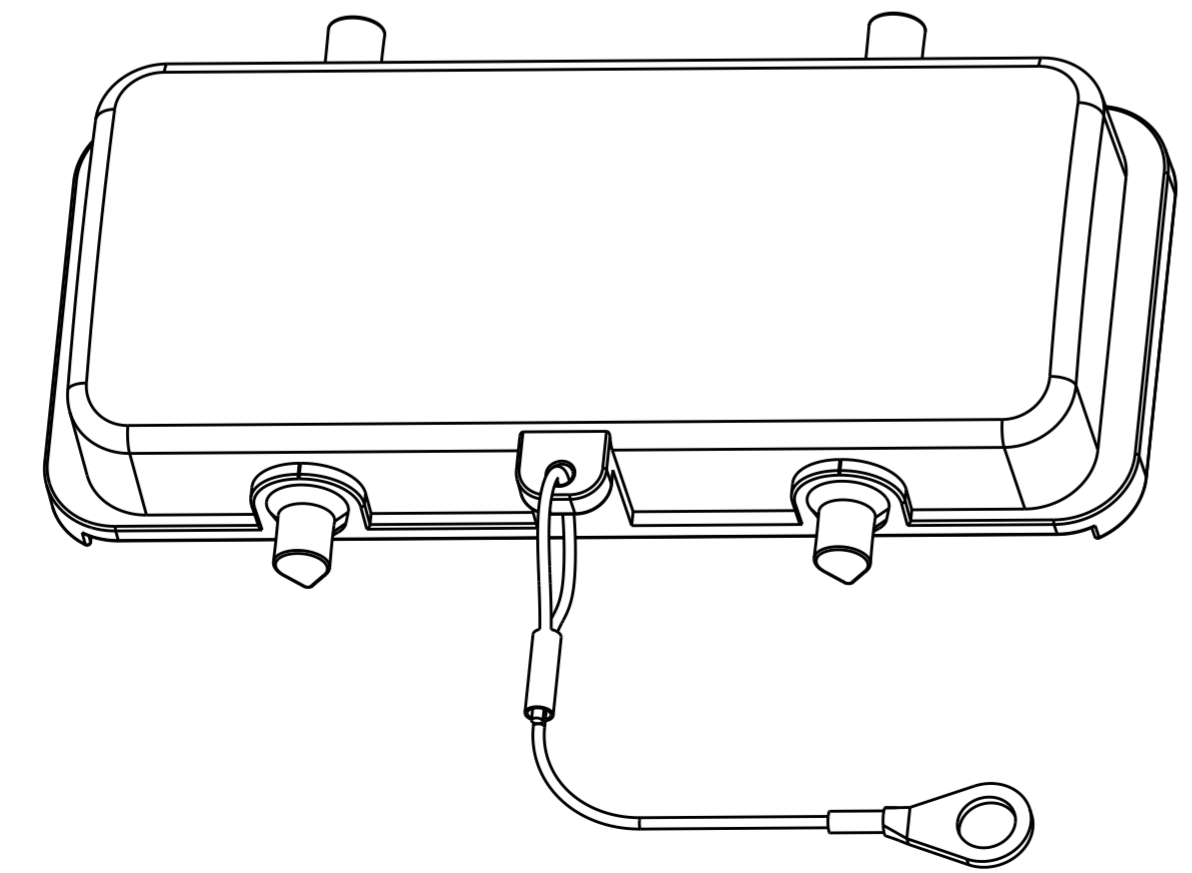
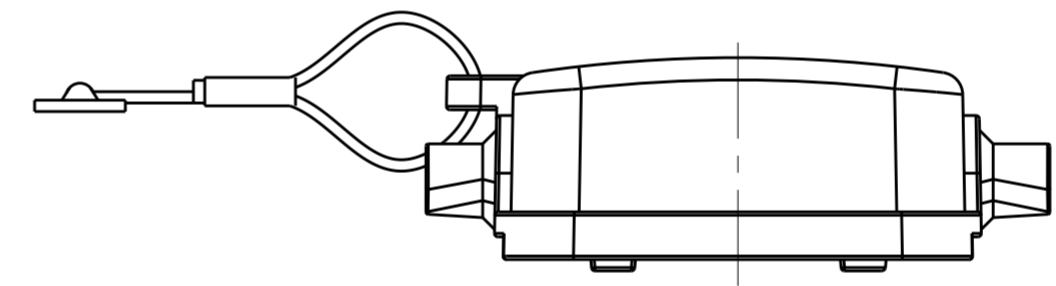
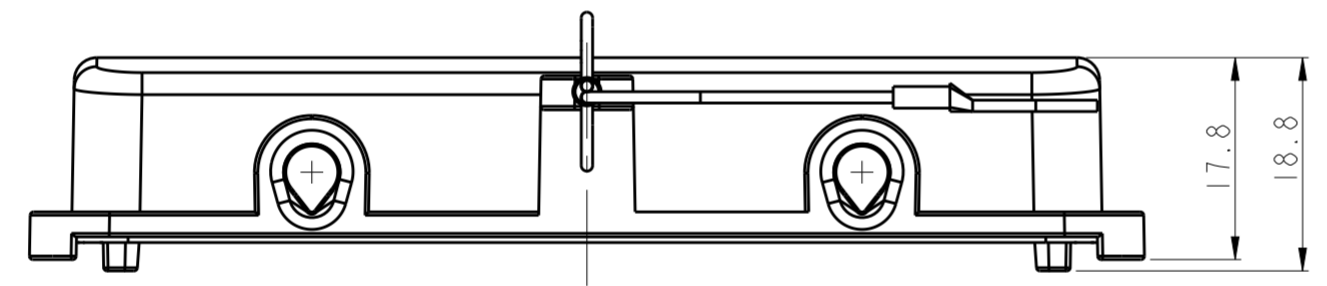
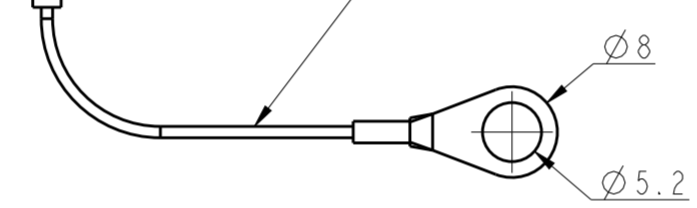


THIS DRAWING IS UNPUBLISHED. RELEASED FOR PUBLICATION
 © COPYRIGHT copyright.d8te- ALL RIGHTS RESERVED.

REVISIONS				
P	LTR	DESCRIPTION	DATE	APVD
	A	INITIAL	17MAY2017	CH CW



TRANSPARENT NYLON ROPE:
 TOTAL LENGTH 250±5mm, DIA. Ø1.0mm
 透明尼龙绳: 总长250±5mm, 直径Ø1.0mm



NOTES:
 1. TECHNICAL CHARACTERISTICS:
 COVER MATERIAL: DIE CAST ALUMINIUM ALLOY
 COVER SURFACE: POWDER COATED, GREY

注释:
 1. 技术参数:
 壳体材料: 铝合金
 表面处理: 灰色粉末喷涂

T1010162101-000	HI6B-KDBM	HI6B HOUSING METAL PROTECTION COVER, 4 EAR, WITHOUT SEALING, NYLON ROPE, GREY HI6B下壳金属保护盖, 4耳, 不带密封, 尼龙绳, 灰色
PART NUMBER 料号	PART DESCRIPTION 描述	

THIS DRAWING IS A CONTROLLED DOCUMENT.		DWN CHARLIE HU 17MAY2017	TE Connectivity															
		CHK GINO YAO 17MAY2017																
		APVD CHRIS WANG 17MAY2017	NAME HI6B-KDBM															
DIMENSIONS: mm		TOLERANCES UNLESS OTHERWISE SPECIFIED:		SIZE A2														
<table border="1"> <tr><td>0 PLC</td><td>±</td></tr> <tr><td>1 PLC</td><td>±</td></tr> <tr><td>2 PLC</td><td>±</td></tr> <tr><td>3 PLC</td><td>±</td></tr> <tr><td>4 PLC</td><td>±</td></tr> <tr><td>ANGLES</td><td>±</td></tr> <tr><td>FINISH</td><td>±</td></tr> </table>		0 PLC	±	1 PLC	±	2 PLC	±	3 PLC	±	4 PLC	±	ANGLES	±	FINISH	±	PRODUCT SPEC -	DRAWING NO G-T1010162101000	
0 PLC	±																	
1 PLC	±																	
2 PLC	±																	
3 PLC	±																	
4 PLC	±																	
ANGLES	±																	
FINISH	±																	
MATERIAL -		APPLICATION SPEC -	RESTRICTED TO -	SCALE 3:2														
		WEIGHT -	CUSTOMER DRAWING	SHEET 1 OF 1														
				REV A														