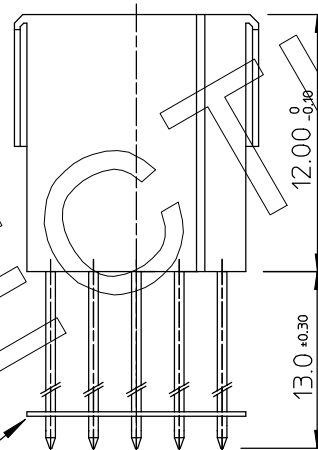
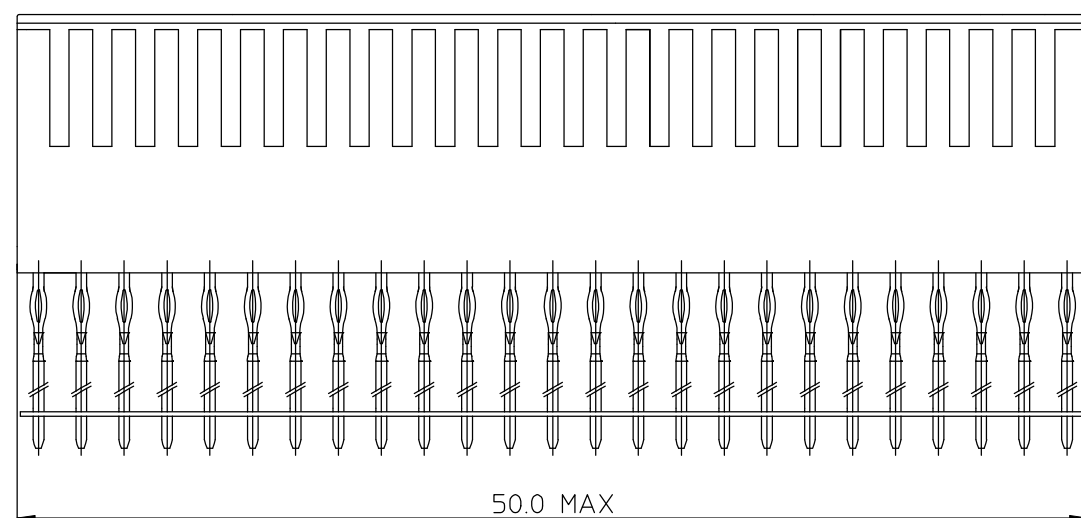
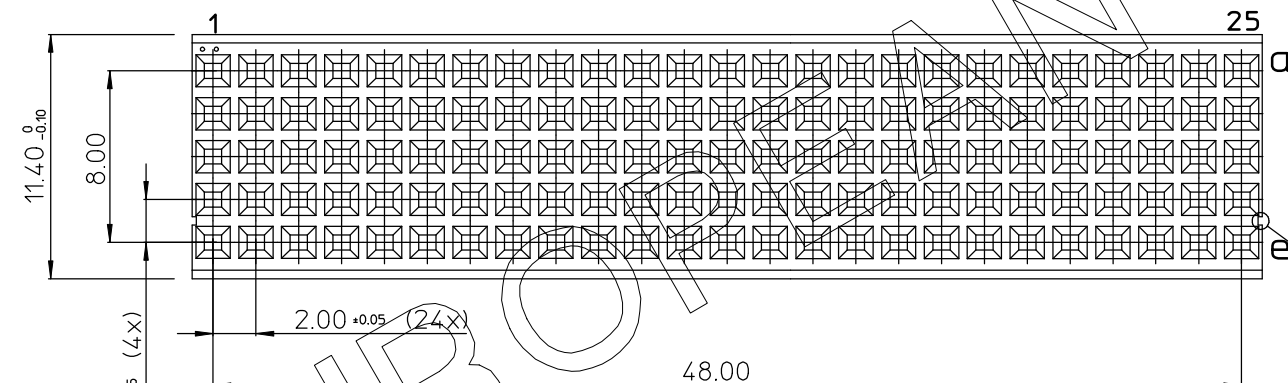


GEN. ST.	01	02	03	04	05	06	07	08	0D	50	60	70	80	90																	
INT. ST.	10	11	12	13	14	18	20	31	32	33	34	38	39	40	42	43	44	45	46	48	56	70	72	73	75	76	81	82	83	84	88

REV.	DATE	DESCRIPTION	BY	C'K'D'
A	14-09-01	CONVERSION REVISION 00	KN	
B	21-11-01	EC B10094	MF	
C	27-11-04	104-0109	ALEX B	BKP



ALIGNMENTSTRIP



PERFORMANCE CHARACTERISTICS

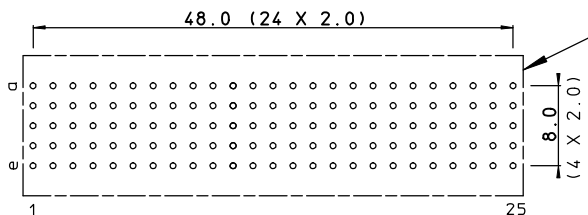
- CURRENT RATING : 1.5 A AT 20°C (FULLY LOADED)
- 1 A AT 70°C (FULLY LOADED)
- RATED VOLTAGE : 500 V AC (CONT / CONT)
- OPERATING TEMPERATURE : -55°C TO 125°C
- CONTACT RESISTANCE : 20 mΩ MAX
- INSERTION FORCE : 0.75 N MAX / CONT
- EXTRACTION FORCE : 0.15 N MIN / CONT
- INSULATION RESISTANCE : 10⁴ MΩ MIN

VISUAL POLARISATION AT COLUMN 25 SHOULD COINCIDE WITH 25TH COLUMN ON PCB

NOTE 1: "--" PERFORMANCE LEVEL INDICATION

- GC: PL3
- GF: PL2
- GL: PL1

LAY-OUT P.C.B.- HOLE (FRONT SIDE)



FEMALE SIGNAL STRAIGHT PRESS-FIT -TO-BOARD CONNECTOR				
WITHOUT SERVICECENTER				
1DEC ±0,2	1DEC	APPR.	DATE	SIGN.
2DEC ±0,1	2DEC	DRAFT	10.04.98	M.Freit
ANGLES ±1° HOEKEN		CHECKED		
WE RESERVE THE RIGHT TO CHANGE DIMENSIONS OR REQUIREMENTS WITHOUT PRIOR NOTICE.		PROD. MGR.		
		PR.ENG.MGR.		
		PR.MGT.MGR.		
ALL DIMENSIONS IN MM				
REFERENCES / REFERENTIES				
MPACS 5R STR REC CONN TYPE B			SCALE	
CAT. No. HM2S02PK5100--			3 / 1	
FCI			FCI MECHELEN N.V. A. SPINOYSTRAAAT 8, 2800 MECHELEN	
BS,C ,201907,012			C	
DRAWING No.			CUSTOMER DRAWING REVISION	

THIS IS OUR EXCLUSIVE PROPERTY IT IS NOT TO BE COPIED, REPRINTED OR DISCLOSED TO A THIRD PARTY. NOR USED FOR MANUFACTURING WITHOUT OUR WRITTEN CONSENT. AND HAS TO BE RETURNED TO US IN CASE OF NO USAGE

DIT IS ONZE EIGENDOM EN MAG NOCH NAGEMAAKT, HERDRUKT, OVERGEMAAKT AAN DERDEN. NOCH VOOR FABRIKATIE GEBRUIKT WORDEN, ZONDER ONZE SCHRIFTELIJKE TOELATING. BIJ NIET GEBRUIK IS TERUGZENDING VERPLICHT.