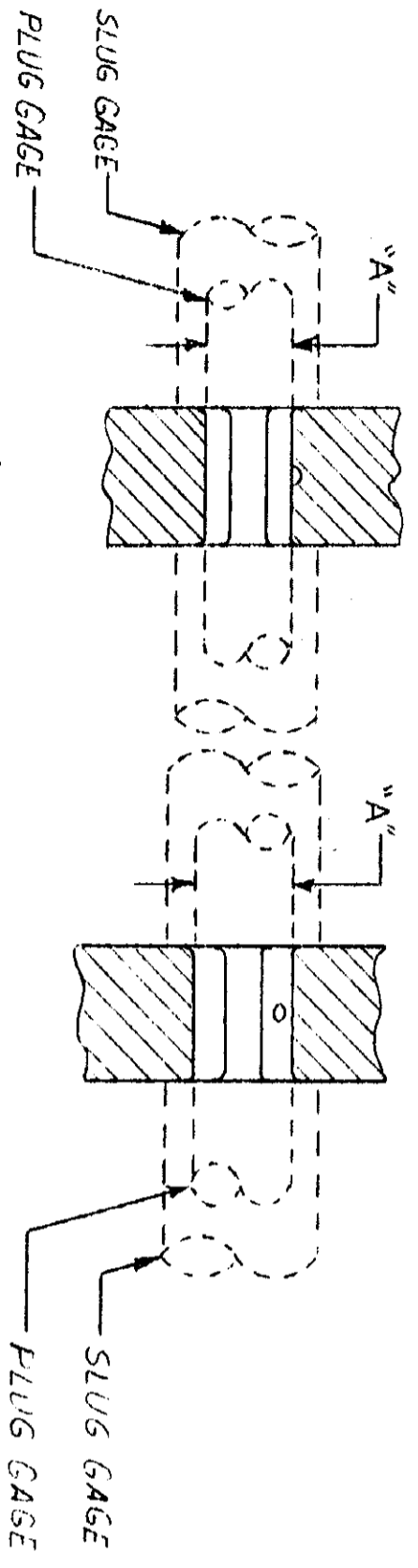
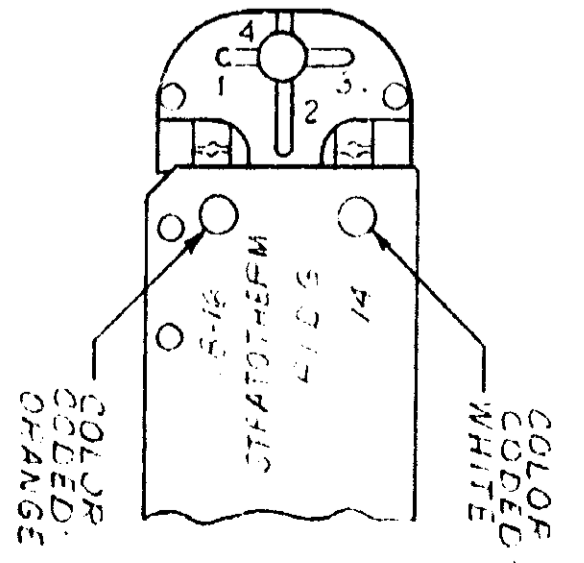
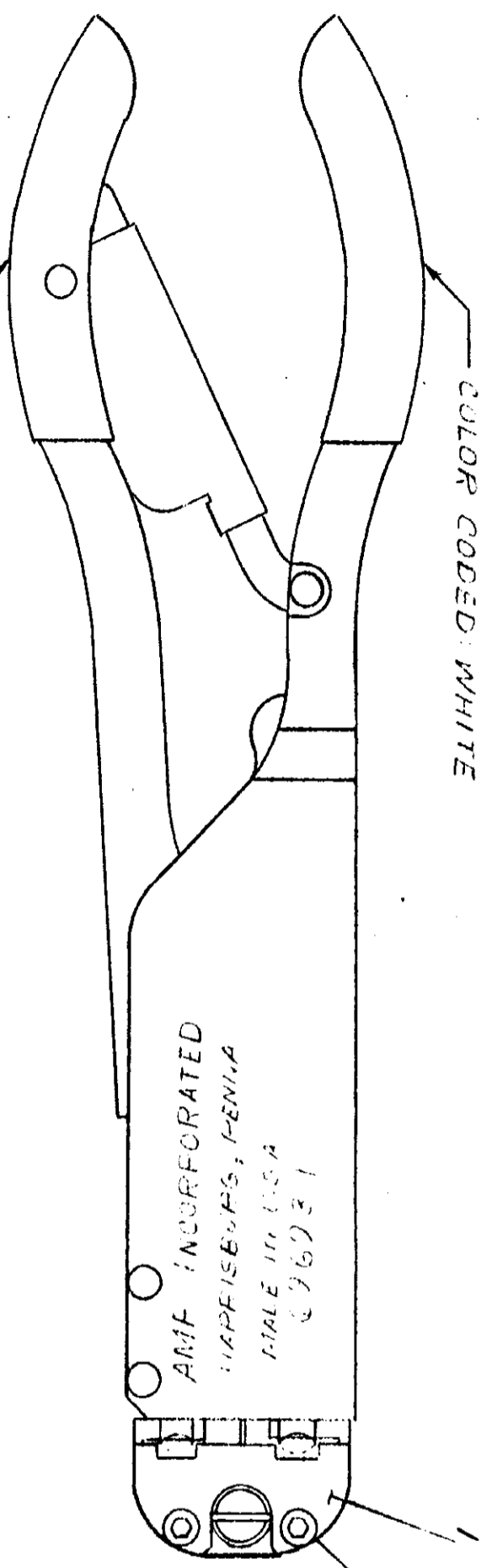


SUPERSEDED BY 1.5.1610



WIRE SIZE	"A" DIM BARREL CRIMP	INSUL CRIMP	"G" DIM
GAGE	GO	NO GO	NO GO
18-16	.131	.134	.030
14	.151	.154	.040
			.120

18-16 BARREL INSERTS  
14 BARREL INSERTS

QTY	DESCRIPTION	REMARKS
2	1-21002-3 SCREW	
1	59755-2 SUPPORT-LOCATOR	

NOTES  
1. WHEN PLUG OR SLUG GAGING OF BARREL CRIMP IT IS IMPORTANT TO NOTE THAT DIM "A" IS THE FIGURE REQD.  
2. SLUG GAGE DIMENSIONS APPLY WHEN "001 IS BOTTOMED BUT NOT UNDER PRESSURE."

REV	DATE	BY	CHK	REVISION RECORD
01	5/21/67	DR	DR	5/21/67

REV	DATE	BY	CHK	REVISION RECORD
01	5/21/67	DR	DR	5/21/67

REV	DATE	BY	CHK	REVISION RECORD
01	5/21/67	DR	DR	5/21/67

REV	DATE	BY	CHK	REVISION RECORD
01	5/21/67	DR	DR	5/21/67

DIMENSIONS IN INCHES. DO NOT SCALE PRINT

PRINT DATE

AMP 855 REV 208 8

7

6

5

4

3

2

1



CUSTOMER COPY REFERENCE ONLY

T-HEAD ASSEMBLY

CLASS  
TYPE P.I.D.S. STRATOTHERM  
REV NO 69693-1  
REV 01

WIRE RANGE - INSULATION  
18-16 & 14  
TOLERANCE EXCEPT AS NOTED  
SCALE 1-1  
NAME T-HEAD ASSEMBLY

DR 3/2-67  
DR 3/2-67  
DR 3/2-67

NUMBER 69693-1

REV	DATE	BY	CHK	REVISION RECORD
01	5/21/67	DR	DR	5/21/67