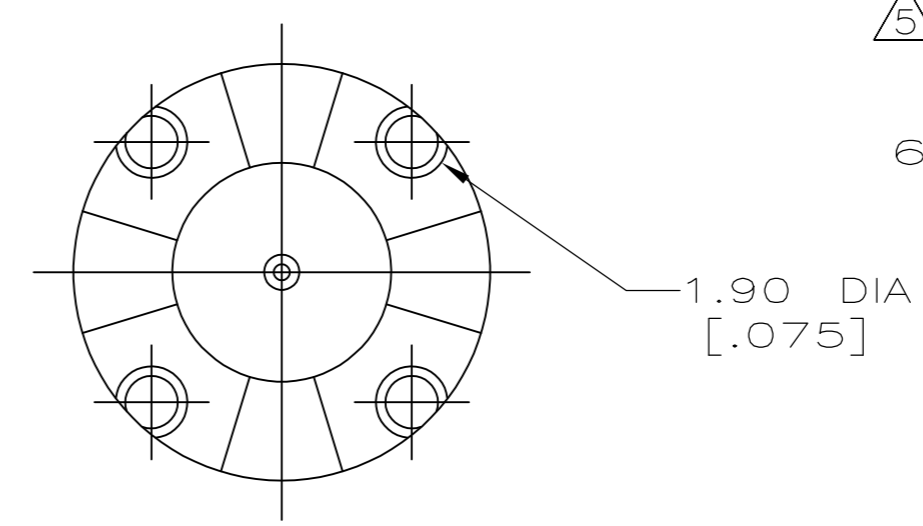
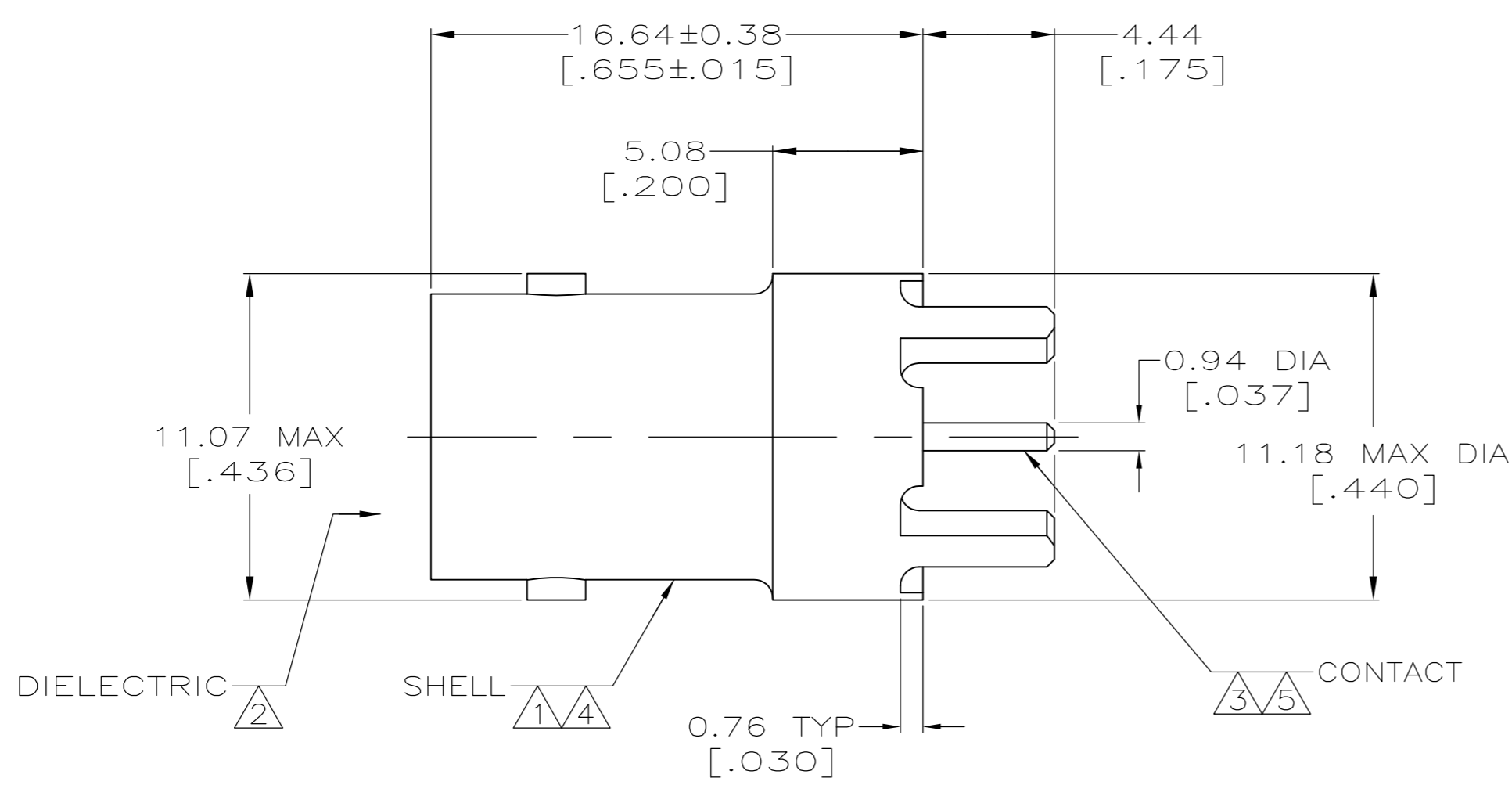
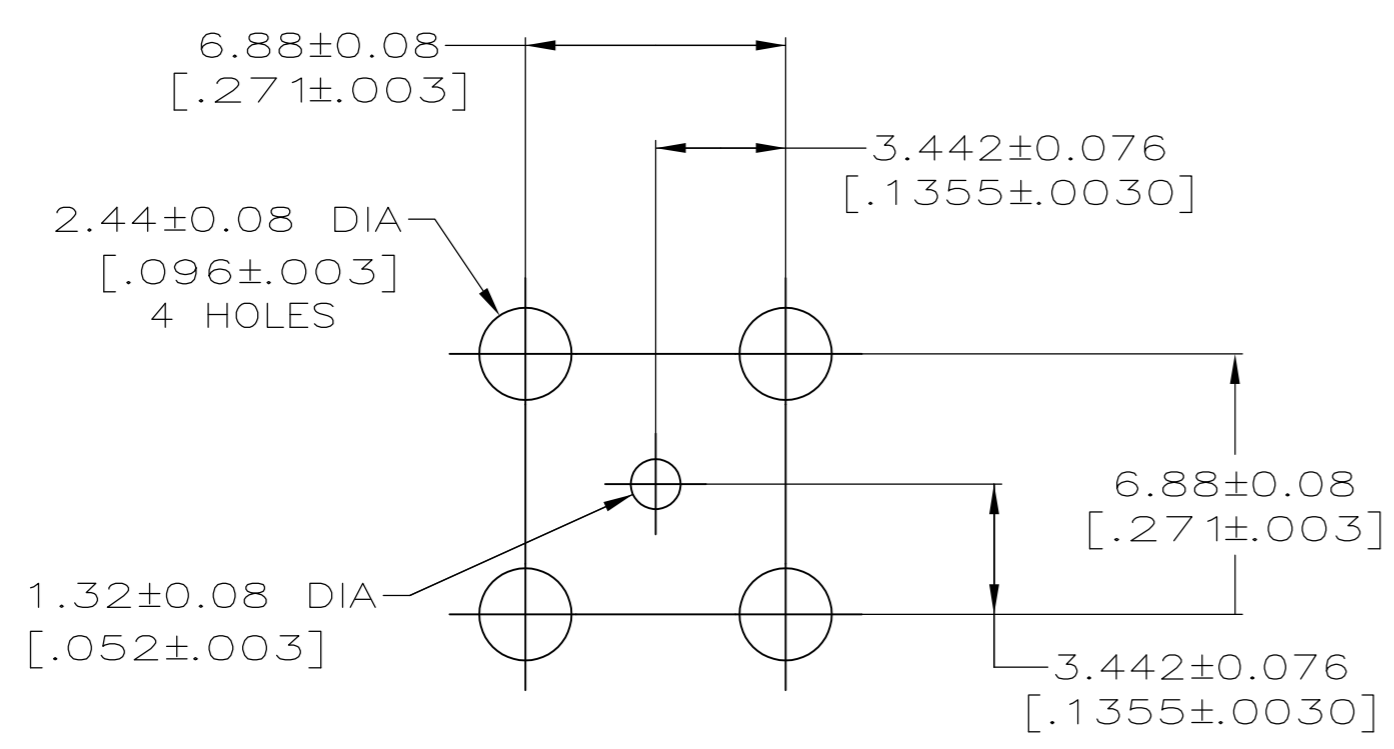


THIS DRAWING IS UNPUBLISHED. RELEASED FOR PUBLICATION  
 © COPYRIGHT - By - ALL RIGHTS RESERVED.

LOC	DIST	REVISIONS			
P	LTR	DESCRIPTION	DATE	DWN	APVD
AJ	16				
P		REVISED PER ECO-11-005030	11MAR11	RK	HMR



- 1 ZINC PER QQ-Z-363.
- 2 PTFE PER MIL-P-19468.
- 3 PHOSPHOR BRONZE PER QQ-B-750.
- 4 TIN PLATE PER ASTM-B-545, 3.04 μm [.000120] MINIMUM THICK.
- 5 GOLD PLATE PER MIL-G-45204, 0.76 μm [.000030] MINIMUM THICK.
- 6. SEE INSTRUCTION SHEET 408-9889.



SUGGESTED PCB CONFIGURATION

5414394-1  
 PART NO

THIS DRAWING IS A CONTROLLED DOCUMENT.		DWN G. ATTADIA - DOCK5 01FEB2005	TE Connectivity	
		CHK J. HAVENER 01FEB2005		
DIMENSIONS: mm [INCHES]		APVD J. LIPPERT 01FEB2005	NAME JACK, VERTICAL, 75 OHM, PCB, BNC	
TOLERANCES UNLESS OTHERWISE SPECIFIED:		PRODUCT SPEC	SIZE A2	
0 PLC ± -		APPLICATION SPEC	CAGE CODE 00779	DRAWING NO C=5414394
1 PLC ± -			RESTRICTED TO -	
2 PLC ± 0.20 [.008]			SCALE 5:1	
3 PLC ± -			SHEET 1 of 1	
4 PLC ± -			REV P	
ANGLES ± -				
MATERIAL SEE NOTES 1 - 3		FINISH SEE NOTES 4 - 5	CUSTOMER DRAWING	

5414394