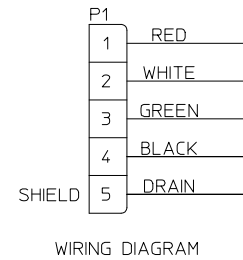
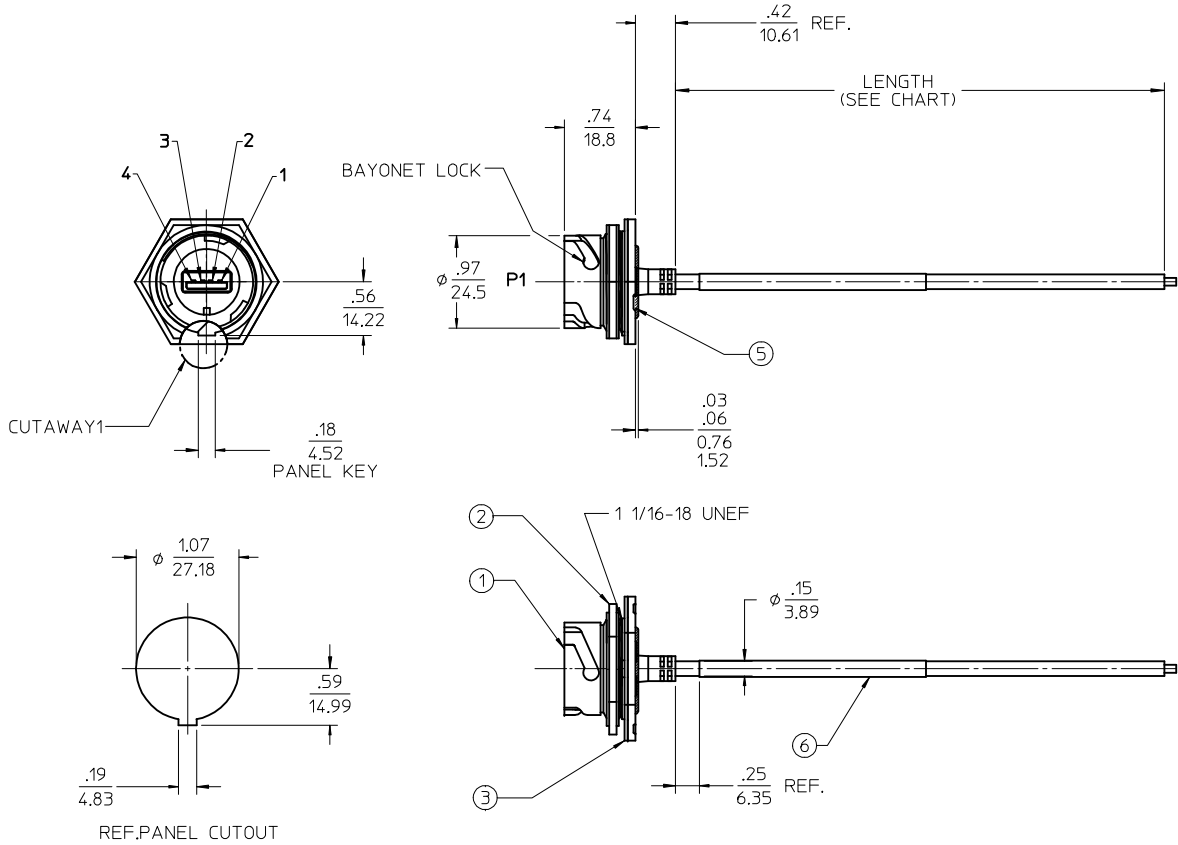


MATERIAL NO.	LENGTH
847290010	6.00 IN +.47 -0 (152.0mm +12-0)



CUSTOMER PRODUCTION APPROVAL
 APPROVED BY: _____
 DATE: _____
 MUST BE SIGNED AND RETURNED BEFORE
 PRODUCTION WILL BEGIN.

SALES DRAWING

- NOTES:
1. MATERIAL: SEE TABLE
 2. FINISHES: SEE TABLE
 3. MATERIAL:
 CABLE: 28AWG, PVC, BLACK, RATED TO 80°C
 SHELL: PHOSPHOR BRONZE, NI PLATED
 CONTACTS: PHOSPHOR BRONZE, GOLD PLATED
 4. ASSEMBLY IS RoHS COMPLIANT
 5. PANEL THICKNESS: .10" MAX

ITEM	QTY.	DESCRIPTION	MATERIAL	FINISH
6	1	PRODUCT LABEL	VINYL	YELLOW
5	A/R	POTTING COMPOUND	EPOXY	BLACK
4	1	USB-A CABLE SUB-ASSEMBLY, SHIELDED	AS NOTED	AS NOTED
3	1	PANEL GASKET	NEOPRENE	BLACK
2	1	LOCKNUT	PBT, UL-94V-0	BLACK
1	1	RECEPTACLE HOUSING	PBT, UL-94V-0	BLACK

SHOW LABEL ON VIEWS
 EC NO: IPG2017-0065
 DRW:BRUPERT 2016/07/20
 CHKD: APPR:WOODMAN 2016/08/11

QUALITY SYMBOLS
 ▽=0
 ▽=0

DESCRIPTION

GENERAL TOLERANCES (UNLESS SPECIFIED)

	mm	INCH
4 PLACES	± .005	± .0004
3 PLACES	± .004	± .0003
2 PLACES	± .003	± .0002
1 PLACE	± 0.25	± .010

ANGULAR ±1/2°

DRAFT WHERE APPLICABLE
 MUST REMAIN WITHIN DIMENSIONS

DIMENSION STYLE
 IN/MM

DRAWN BY R.STONE DATE 2007/02/15

CHECKED BY J.MACNEIL DATE 2007/02/20

APPROVED BY J.MACNEIL DATE 2007/02/20

MATERIAL NO. SEE CHART

SCALE 1:1 DESIGN UNITS INCH THIRD ANGLE PROJECTION

TITLE USB-A CORD ASSEMBLY RECEPTACLE

MOLEX MOLEX INCORPORATED

DOCUMENT NO. SD-84729-010 SHEET NO. 1 OF 1

THIS DRAWING CONTAINS INFORMATION THAT IS PROPRIETARY TO MOLEX INCORPORATED AND SHOULD NOT BE USED WITHOUT WRITTEN PERMISSION