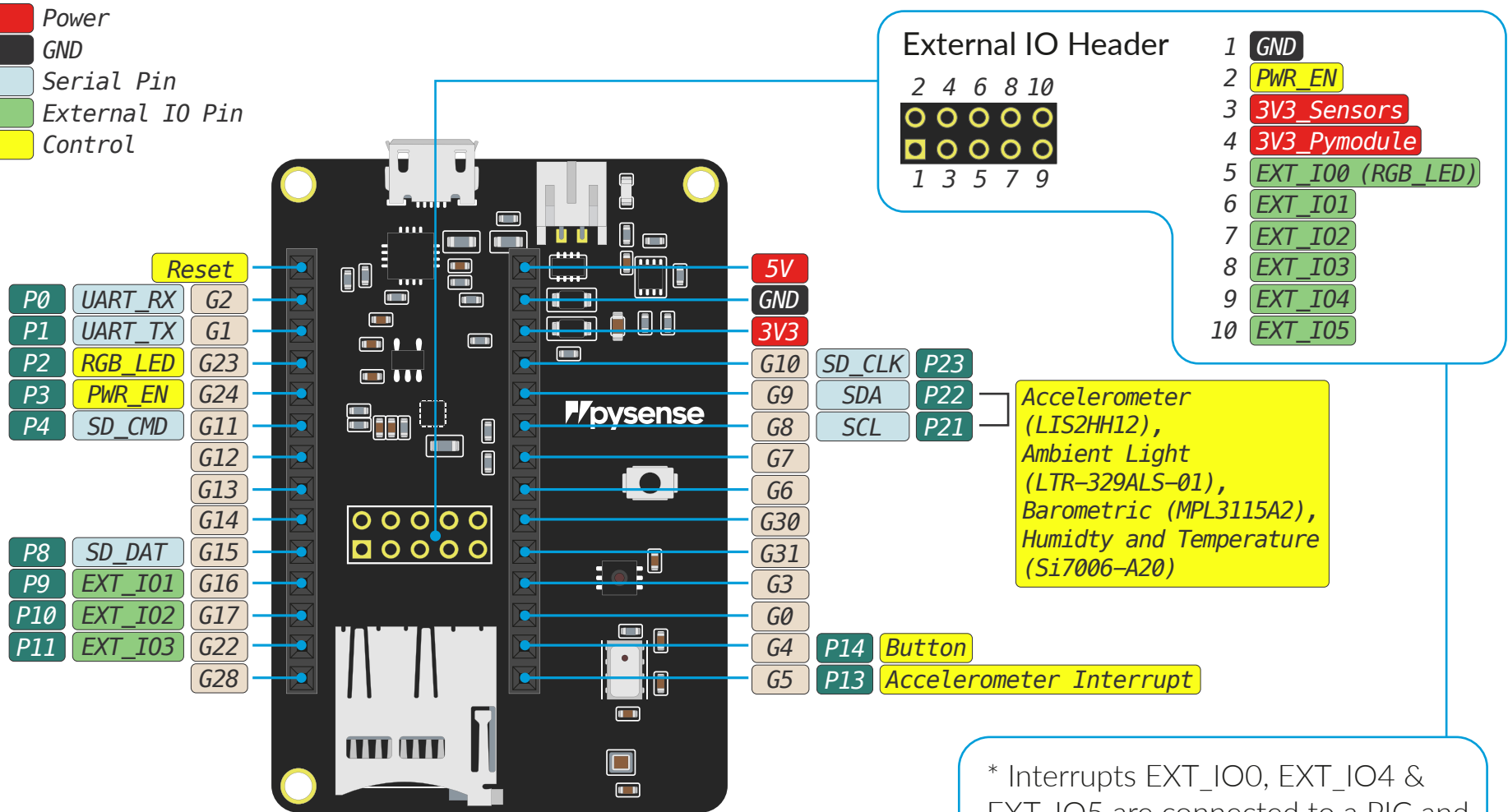


- Power
- GND
- Serial Pin
- External I/O Pin
- Control



\* Interrupts EXT\_IO0, EXT\_IO4 & EXT\_IO5 are connected to a PIC and are accessible via Pycom Libraries

### Correct Board Mounting

RGB LED must be at the top of the board, above the USB connector

