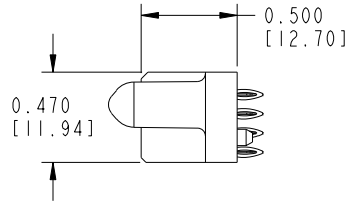
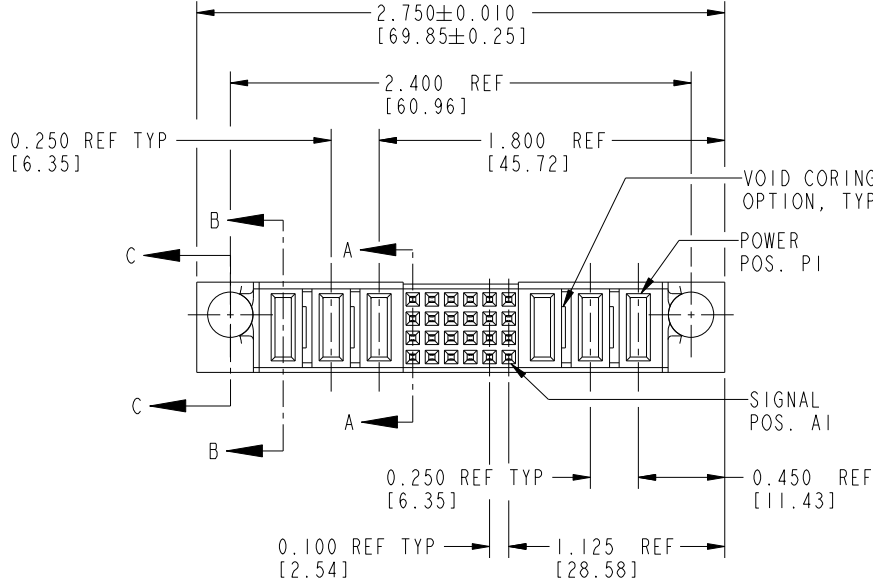
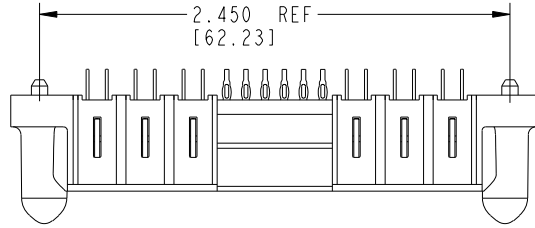




PRODUCT No.	ROWS	POWER				SIGNAL					POWER			E1			
		E2	P6	P5	P4	6	5	4	3	2	1	P3	P2		P1		
51750-011-- NOTE:3	D C B A																



CODE	DIM "M" ±0.010 [0.25]	CONTACT TYPE
PC	0.042 [1.07]	POWER
PF	0.092 [2.34]	POWER
F	N/A [N/A]	SIGNAL

mat'l code				NOTE 2			tolerances unless otherwise specified		CUSTOMER		FCI	
lfr	ecn no.	dr	date	linear	.XX±.01/0.X±0.3	projection	COPY		www.fciconnect.com			
A	V02930	CGD	12/14/00		.XXX±.005/0.XX±0.13		COPY		title			
B	DG05-0504	GJM	12/15/05	angles	.XXX±.0020/.XXX±.051	INCH/MM	COPY		3P + 24S + 3P			
C	DG08-0251	W D	09/13/08	dr	0°±2°	scale	COPY		VERTICAL PRESS-FIT RECEPTACLE			
				enrg	C, DAILY 12/14/00	1:1	COPY		product family PwrBlade			
				chr	J. DODDS 12/14/00		COPY		size			
				appd	J. DODDS 12/14/00		COPY		dwg no			
							COPY		code			
sheet index	revision sheet	C	C				COPY		213			
		1	2	3			COPY		sheet			
							COPY		1 of 3			

1 | 2

Pro/E

PDM: Rev:C

STATUS: Released

Printed: Dec 20, 2010

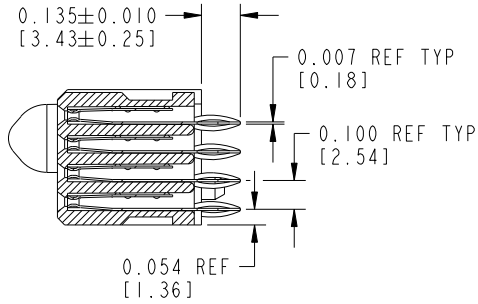
cage code 29516

Tous droits strictement réservés. Reproduction ou communication a des tiers interdite sous quelque forme que ce soit sans autorisation écrite du propriétaire. Propriété de c FCI. Droits de reproduction FCI.

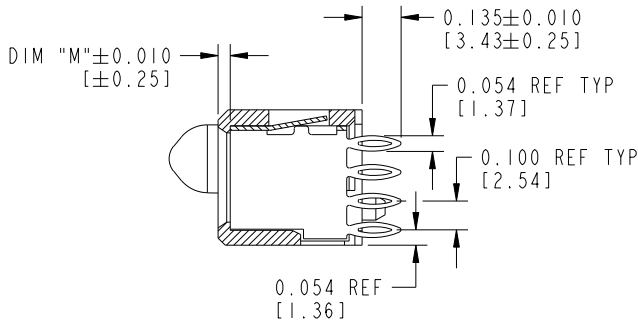
All rights strictly reserved. Reproduction or issue to third parties in any form whatever is not permitted without written authority from the proprietor. Property of FCI. Copyright FCI.



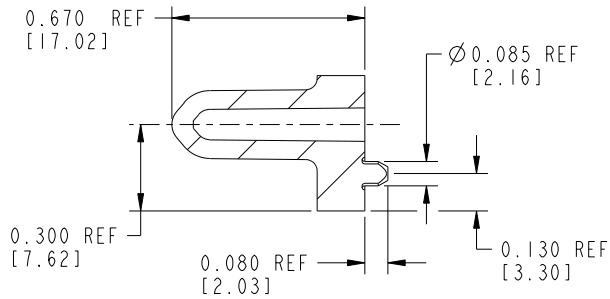
PRODUCT NUMBER  
51750-011\_\_



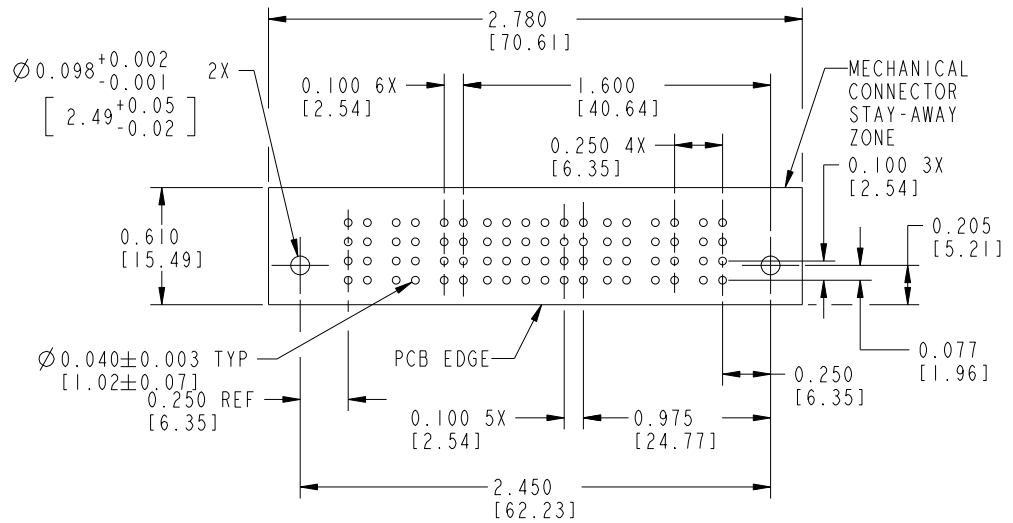
SECTION A-A  
SCALE 3:2



SECTION B-B  
SCALE 3:2



SECTION C-C  
SCALE 3:2



RECOMMENDED PCB LAYOUT

mat'l code		NOTE 2		tolerances unless otherwise specified		CUSTOMER		FCI	
ltr	ecn no.	dr	date	linear	.XX±.01/0.X±0.3	COPY		www.fciconnect.com	
c				projection	.XXX±.005/0.XX±0.13	INCH/MM		title	
				angles	.XXX±.0020/.XXX±.051	1:1		3P + 24S + 3P VERTICAL PRESS-FIT RECEPTACLE	
				dr	0°±2°	scale		product family	
				enrg	C, DAILY 12/14/00	A		PwrBlade	
				chr	J. BOBDS 12/14/00	51750-011		code	
				appd	J. BOBDS 12/14/00	A		213	
sheet index	revision sheet							sheet	
								2	

Pro/E

PDM: Rev: C

STATUS: Released

Printed: Dec 20, 2010

PRODUCT NUMBER
51750-011__

NOTES:

1. DIMENSIONS AND TOLERANCES ARE IN ACCORDANCE WITH ASME Y14.5M, 1994 UNLESS OTHERWISE

CONNECTOR NOTES:

2. HOUSING MATERIAL: UL 94 V-0 GLASS FILLED HIGH-TEMP THERMOPLASTIC  
 POWER CONTACT MATERIAL: COPPER ALLOY  
 SIGNAL PIN MATERIAL: COPPER ALLOY

3. SEE ITEM 7 & 8 IN PRINT 10064183 FOR PLATING SPEC OF 51750-011 AND 51750-011LF RESPECTIVELY.

4. MANUFACTURER'S NAME, P/N, AND DATE CODE TO APPEAR ON THIS SURFACE.

5. PRODUCT SPECIFICATION GS-12-149. APPLICATION SPECIFICATION BUS-20-067.

PCB NOTES:

6. ALL DIMENSIONS ARE BASIC UNLESS OTHERWISE SPECIFIED.

7. ALL THROUGH HOLES ARE LOCATED WITH A TRUE POSITION OF .004 [0.10]

8. ALL HOLE DIAMETERS ARE FINISHED HOLE SIZE

9.  $\varnothing 0.098$  [2.49] THROUGH HOLES ARE UNPLATED

10.  $\varnothing 0.0453 \pm 0.0010$  [1.151  $\pm$  0.025] DRILLED HOLES PLATED WITH 0.0003 [0.008] MIN SnPb OVER 0.001 [0.03] TO 0.003 [0.08] Cu PLATING TO ACHIEVE A  $\varnothing 0.040 \pm 0.003$  [1.02  $\pm$  0.07] HOLE.

11. A  $\triangle$  SYMBOL WILL BE NEXT TO ANY DIMENSION, VIEW, OR NOTE WHICH HAS BEEN MODIFIED WITH THE CURRENT DRAWING REVISION.

mat'l code		NOTE 2		tolerances unless otherwise specified		CUSTOMER		FCJ	
ltr	ecn no.	dr	date	linear	.XX $\pm$ .01/0.X $\pm$ 0.3	COPY		www.fciconnect.com	
c				projection	.XXX $\pm$ .005/0.XX $\pm$ 0.13			title	
				angles	.XXX $\pm$ .002/.XXX $\pm$ .051			3P + 24S + 3P	
				dr	0 $^{\circ}$ $\pm$ 2 $^{\circ}$			VERTICAL PRESS-FIT RECEPTACLE	
				engr	C, DAILY 12/14/00			product family	
				chr	J. DODDS 12/14/00	PwrBlade		213	
				appd	J. DODDS 12/14/00	size		sheet	
sheet index		revision sheet		scale		A		3	
				1:1		51750-011			

Tous droits strictement réservés. Reproduction ou communication a des tiers interdite sous quelque forme que ce soit sans autorisation écrite du propriétaire. Propriete de c FCJ. Droits de reproduction FCJ.



All rights strictly reserved. Reproduction or issue to third parties in any form whatever is not permitted without written authority from the proprietor. Property of FCJ. Copyright FCJ.