

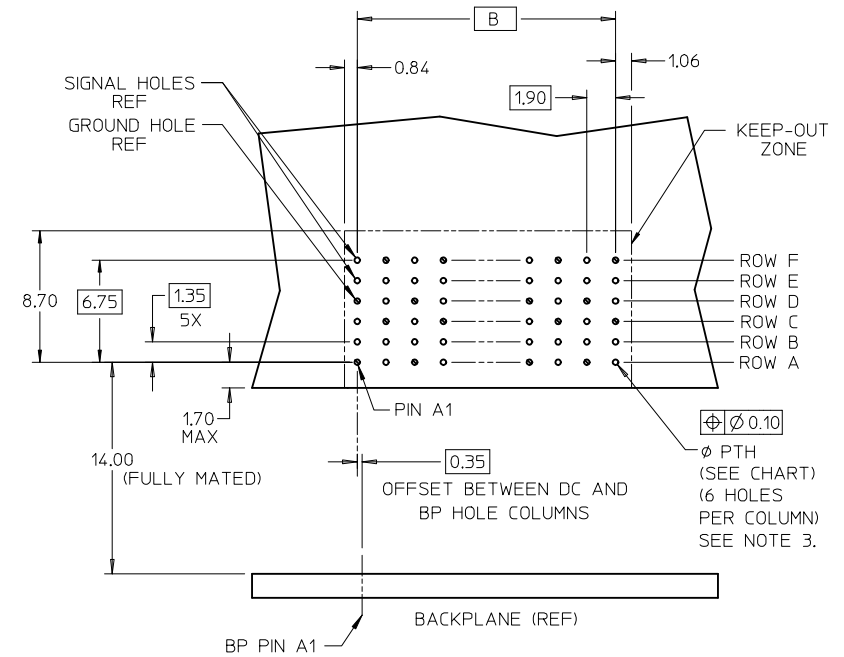
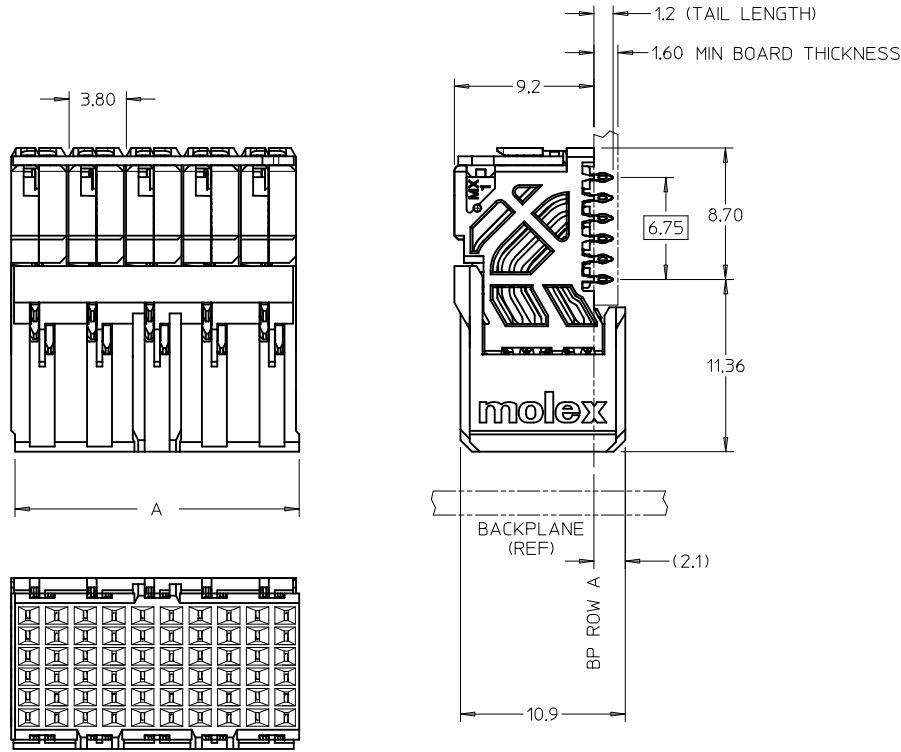
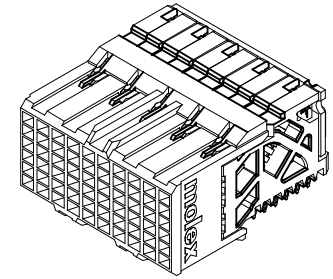
MATERIAL NUMBER	# OF COLUMNS	# OF DIFF PAIR	DIM "A" MAX	DIM "B"	PTH $\phi$
76460-*010	10	20	19.00	17.10	0.46 $\pm 0.05$
76460-*016	16	32	30.40	28.50	
76460-*020	10	20	19.00	17.10	0.39 $\pm 0.05$
76460-*026	16	32	30.40	28.50	

76460-\*0\*\*

1 = OPEN LEAD-FREE

# OF COLUMNS

- 10 = 10 COL 0.46 PTH
- 16 = 16 COL 0.46 PTH
- 20 = 10 COL 0.39 PTH
- 26 = 16 COL 0.39 PTH



DAUGHTERCARD HOLE PATTERN  
(CONNECTOR SIDE)

NOTES:

1. MATERIALS: HOUSING - LIQUID CRYSTAL POLYMER (LCP), GLASS-FILLED, UL94V-0  
TERMINALS - HIGH PERFORMANCE COPPER ALLOY
2. FINISH: 30 $\mu$ N SELECTIVE GOLD IN CONTACT AREA, SELECTIVE TIN ON PCB TAILS, NICKEL OVERALL.
3. REFER TO MOLEX PRODUCT SPEC PS-76060-999 FOR PERFORMANCE SPECIFICATIONS AND ADDITIONAL PCB INFORMATION.
4. EACH SIGNAL WAFER CONTAINS 2 COLUMNS OF TERMINALS.
5. PRODUCT IS PACKAGED PER PK-70873-592.
6. THIS PART CONFORMS TO CLASS B REQUIREMENTS OF COSMETIC SPEC PS-45499-002.
7. REFER TO MOLEX SALES DRAWING SD-76455-001 FOR THE MATING HEADERS.
8. REFER TO MOLEX PCB ROUTING GUIDE AS-76060-990 FOR ANTIPAD AND ROUTING RECOMMENDATIONS.

REV	DESCRIPTION	QUALITY SYMBOLS	GENERAL TOLERANCES (UNLESS SPECIFIED)		DIMENSION STYLE	SCALE	DESIGN UNITS	THIRD ANGLE PROJECTION	
			mm	INCH	MM ONLY	4:1	METRIC		
D	CONVERT TO LEAD-FREE							IMPACT DAUGHTERCARD 2 PAIR SIGNAL MODULE UNGUIDED SALES DRAWING <b>molex</b> DOCUMENT NO. SD-76460-001 SHEET NO. 1 OF 1	
	EC NO: UCP2013-2489				DRAWN BY	DATE			
	DRWNT:LIBARRA 2012/12/17				CHECKED BY	DATE			
	CHKD:TELO 2012/12/18				APPROVED BY	DATE			
	APPR:SMILLER 2012/12/31								
			4 PLACES	$\pm$ ---	$\pm$ ---	TELO	2008/02/20		
			3 PLACES	$\pm$ ---	$\pm$ ---	JLAURX	2008/02/20		
			2 PLACES	$\pm$ 0.13	$\pm$ ---	JLAURX	2008/02/20		
			1 PLACE	$\pm$ 0.25	$\pm$ ---	JLAURX	2008/02/20		
			0 PLACE	$\pm$ ---	$\pm$ ---				
			ANGULAR $\pm 1/2^\circ$		MATERIAL NO.	DOCUMENT NO.			
			DRAFT WHERE APPLICABLE MUST REMAIN WITHIN DIMENSIONS		SEE TABLE	SD-76460-001			
			THIS DRAWING CONTAINS INFORMATION THAT IS PROPRIETARY TO MOLEX INCORPORATED AND SHOULD NOT BE USED WITHOUT WRITTEN PERMISSION						