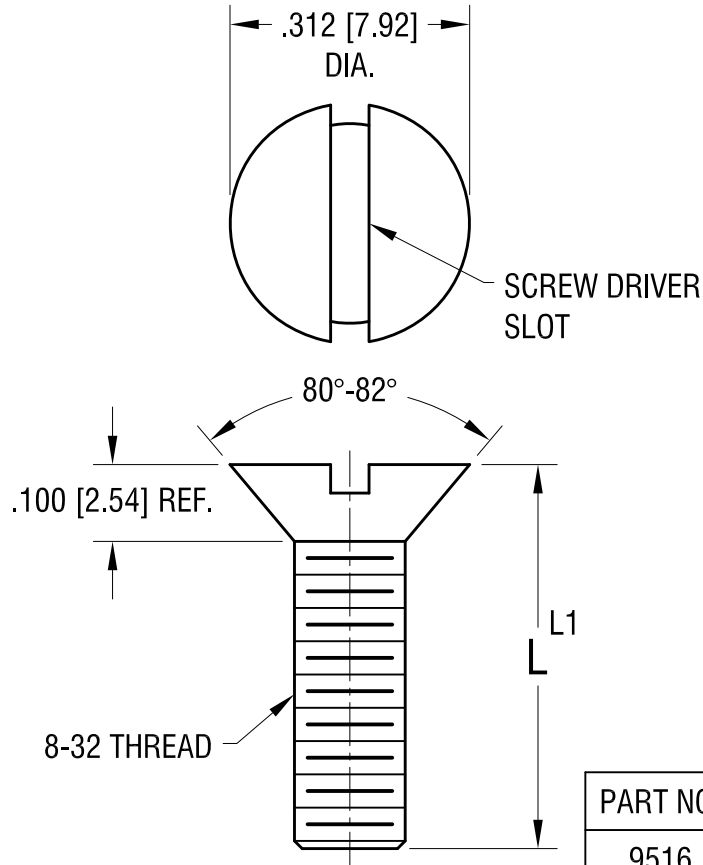


THIS DOCUMENT IS THE PROPERTY OF
KEYSTONE ELECTRONICS CORP. AND
SHALL NOT BE REPRODUCED, DISTRIBUTED
OR USED AS A BASIS FOR MANUFACTURE
WITHOUT PRIOR WRITTEN PERMISSION
FROM KEYSTONE ELECTRONICS CORP.



PART NO.	'L' DIM.	'L1' TOL. +0.0
9516	.250 [6.25]	
9517	.375 [9.53]	-.020 [-0.50]
9518	.500 [12.70]	
9519	.625 [15.88]	
9520	.750 [19.05]	-.030 [-0.76]
9521	1.000 [25.40]	
9522	1.250 [31.75]	-.060 [-1.52]

KEYSTONE ELECTRONICS CORP.

www.keyelco.com • ASTORIA, N.Y. 11105-2017 • Tel (718) 956-8900

PART NAME

8-32 FLAT HEAD SCREW

MATERIAL

STEEL

FINISH

ZINC PLATE

DRN BY

BOONE

DATE

3.1.04

APP'D

LN

SCALE

4X

TOLERANCES

INCH [MM]

DECIMAL ± .020 [± 0.50]

ANGULAR ± 1°

UNLESS OTHERWISE SPECIFIED

CODE

DWG NO.

C

9516-9522

DATE

DESCRIPTION

REV.