

VIEW ON MATING SIDE

∞	A	A	A	A	A	A	A	A	A	A	A	A	A	A	A	A	A	A	A	A	A	A	A	A	A	A	A	A	
∞	A	A	A	A	A	A	A	A	A	A	A	A	A	A	A	A	A	A	A	A	A	A	A	A	A	A	A	A	A

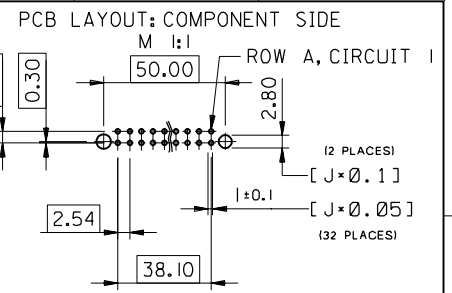
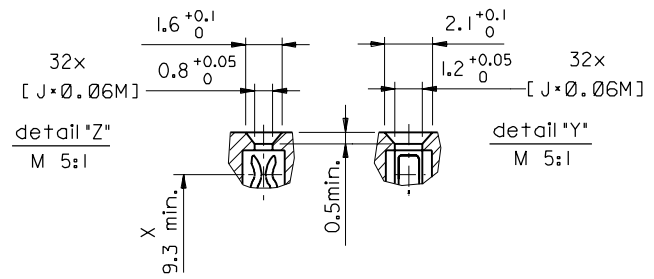
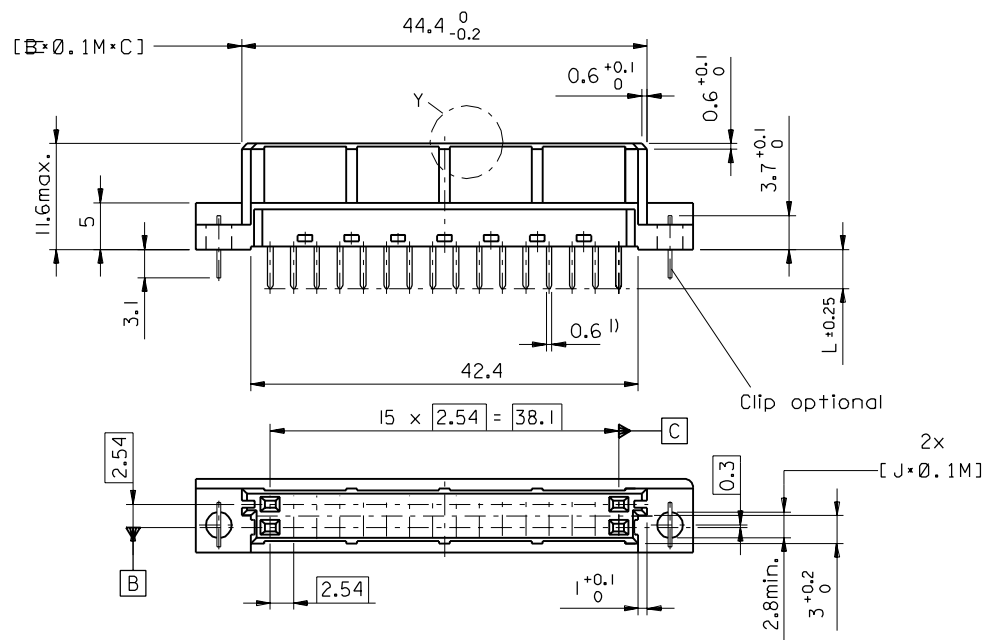
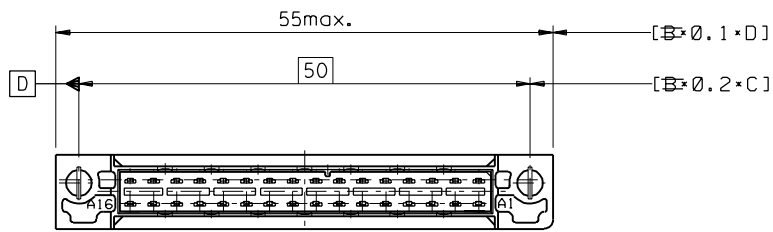
A = 32 CONTACTS L=2,9

Marking	Standard
Performance level	G3/0 = Contact area level3 / Termination tin
Flux proof	no
Fixing clip	no
Dimensions	SDA-85040-0002 sht.1
Technical Data	PS-85042-0001

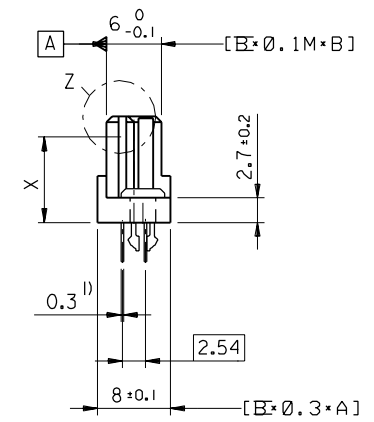
A	G3/0	a1-l6	b1-l6
Contact symbol	Perform. level	Contact position number	

ECN 2543 first release	REVISIONS		FOR PREVIOUS REVISIONS SEE MRI LIST	
∇	LTR	IF TWO DIMENSIONS ARE SHOWN, THE UPPER IS THE DESIGN DIMENSION, LOWER IS SECONDARY		
		DESIGN DIMENSION	<input type="checkbox"/> MM <input type="checkbox"/> IN.	
		EQUIVALENT DIMENSION	<input type="checkbox"/> MM <input type="checkbox"/> IN.	
		DRAFT WHERE APPLICABLE MUST REMAIN WITHIN DIMENSIONS		
		3 PLACE ± .	±	
		2 PLACE ± .	±	
		1 PLACE ± .	±	
		UNLESS OTHERWISE SPECIFIED TOLERANCES: ANGULAR ± 2°		
		DRWG BY	KN	SIGN
		CHK'D BY	Ca	SIGN
		APP'D BY	JB	SIGN
		SCALE		
		CAD/CAM PROJECT NAME	S8504010	
			s71	
		THIS DRAWING CONTAINS PROPRIETARY TO MOLEX INC. & SHOULD NOT BE USED WITHOUT WRITTEN PERMISSION		
		REVISE ONLY ON CAD SYSTEM	SH. REV.	
		TITLE		
		32 pos. female connector acc. DIN 41612 style B/2 contacts arrangement		
		SHEET NO. DATE		
		1 OF 1 97/07/22		
		PART NO. DWG NO.		
		MOLEX EUROPE SD-85040-1079		

PART NO.
DWG. NO.



1) tails to fit in PC-board layout



FIRST ANGLE PROJECTION

UNLESS OTHERWISE SPECIFIED TOLERANCES: ANGULAR ±2°	INCH	METRIC
	3 PLACE ±	±
DRAFT WHERE APPLICABLE MUST REMAIN WITHIN DIMENSIONS	2 PLACE ±	±
	1 PLACE ±	±
DESIGN DIMENSION	<input checked="" type="checkbox"/> MM	<input type="checkbox"/> IN.
EQUIVALENT DIMENSION	<input type="checkbox"/> MM	<input type="checkbox"/> IN.
IF TWO DIMENSIONS ARE SHOWN THE UPPER IS THE DESIGN DIMENSION, LOWER IS SECONDARY		

REVISE ONLY ON CAD SYSTEM		SH.	REV.
CAECAM PROJECT NAME 85040000 s21		THIS DRAWING CONTAINS INFORMATION THAT IS PROPRIETARY TO MOLEX INC. & SHOULD NOT BE USED WITHOUT WRITTEN PERMISSION	
TITLE 32pos. Female connector DIN 41612 style B/2, with clip, Dimensions			
MOLEX MOLEX EUROPE		SHEET NO. DATE 1 OF 1 96/04/23	
PART NO.		DWG. NO. SDA-85040-0002	
SCALE 2:1		SIZE B	

ECN MG1998-2727 new fixing clip 98-04-14 Co	L TR REVISIONS	FOR PREVIOUS REVISIONS SEE MRI LIST
C		