

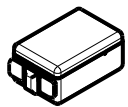
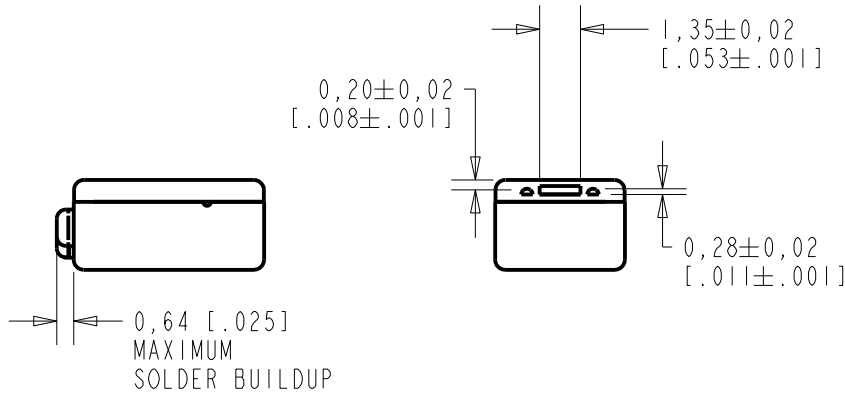
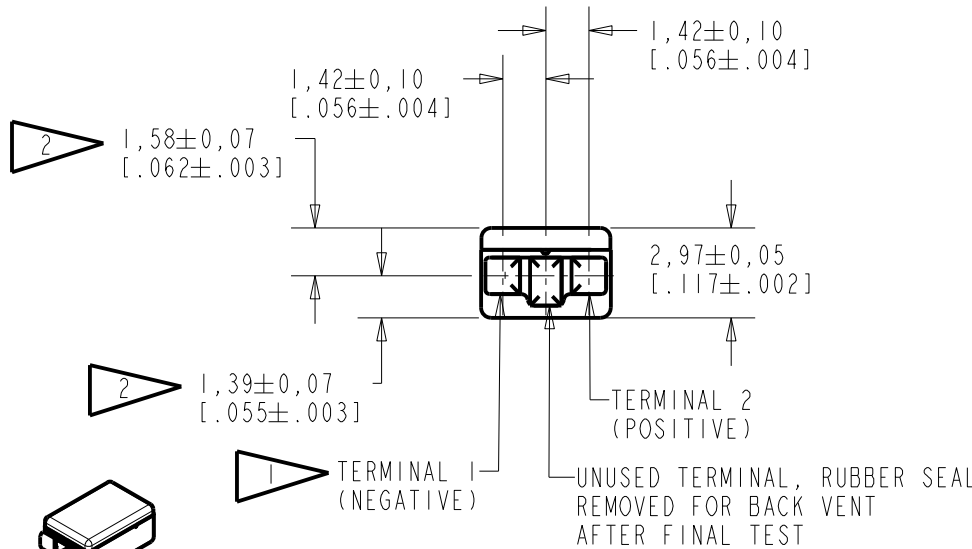
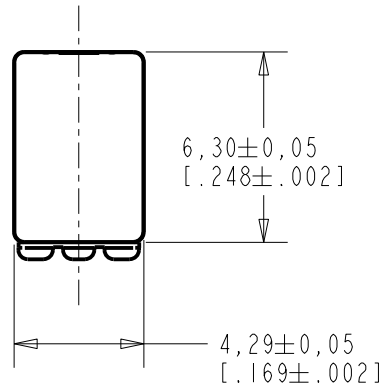
FED-30048-104

SHT 1.1

NOTE:

1 A POSITIVE GOING VOLTAGE AT TERMINAL 2, RELATIVE TO TERMINAL 1, CAUSES A DECREASE IN PRESSURE AT THE SOUND OUTLET.

2 LOCATED FROM TWO SURFACES FOR CUSTOMER CONVENIENCE. ONLY APPLICABLE FROM ONE SURFACE, NOT TO BE USED TOGETHER. HORIZONTAL LOCATION FOR TERMINAL CENTERED TO $\pm 0,17$ [.007].



SCALE 2:1

NOMINAL WEIGHT
.31 GRAM

DIMENSIONS IN MILLIMETERS [INCHES]

KNOWLES ELECTRONICS
ITASCA, ILLINOIS U.S.A.

Revision	C.O. #	Implementation Date	RELEASE LEVEL	REVISION
D	C10113486	5-17-12	Active	D

SCALE: 4:1		DR. BY: LSY	DATE: 8-25-06
DO NOT SCALE DRAWING			
TITLE: RECEIVER		FED-30048-104	
OUTLINE DRAWING		SHT 1.1	
		APP. BY: GJP	DATE: 9-8-06
		APP. BY: GJP	DATE: 9-8-06

DESCRIPTION

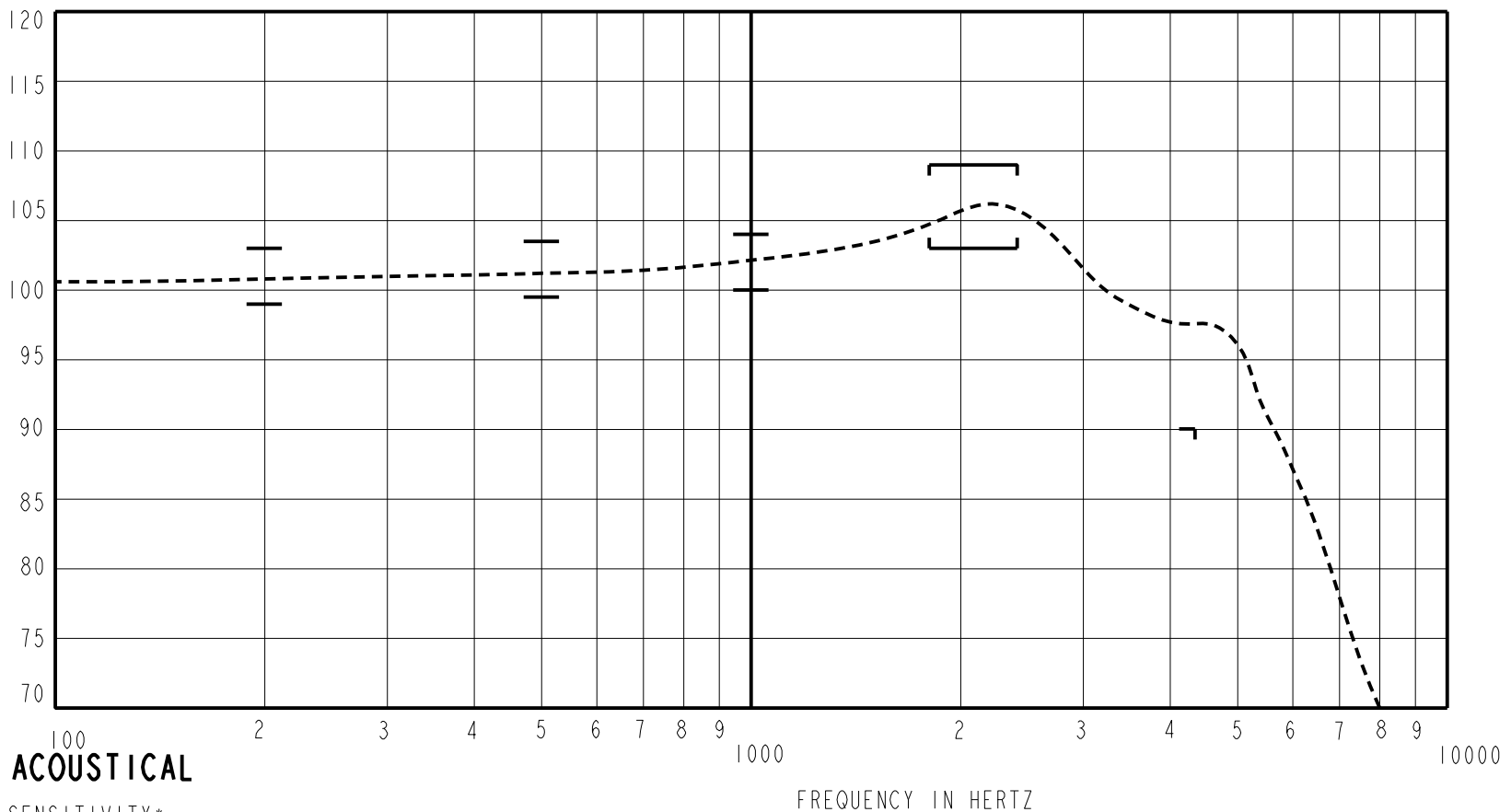
FERROFLUID DAMPING

FED-30048-104
SHEET 2.1

THE FED-30048-104 IS A FERROFLUID DAMPED, MAGNETIC BALANCED ARMATURE RECEIVER, INTENDED FOR USE IN HEADSETS. THIS MODEL IS SHOCK PROTECTED, HAS LOW IMPEDANCE, INCREASED DCR/IMPEDANCE RATIO, AND A REAR VENT.

CONSTANT VOLTAGE DRIVE CONDITIONS (NOTE: REAR VENT, CENTER TERMINAL PAD, BLOCKED FOR TEST)

SENSITIVITY IN dB RELATIVE TO 20 uPa FOR CONDITIONS SHOWN BELOW



ACOUSTICAL

SENSITIVITY*
DEVICE WILL PRODUCE THE SPL LISTED BELOW UNDER THE TEST CONDITIONS DESCRIBED IN TABLE 3. NOMINAL SENSITIVITY AT 1 kHz IS dB RELATIVE TO 20uPa. ALL OTHER VALUES IN dB RELATIVE TO THE SENSITIVITY AT 1 kHz.

FREQUENCY (Hz)	MINIMUM	NOMINAL	MAXIMUM
200	-3.0	-1.0	+1.0
500	-2.5	-0.5	+1.5
1000	-2.0	102.0	+2.0
1850-2650	+1.0	+4.0	+7.0
4400	-12.0	---	---

PORT LOCATION: 12N

TABLE 1.

TOTAL HARMONIC DISTORTION
DEVICE WILL NOT EXCEED TOTAL HARMONIC DISTORTION LEVELS LISTED BELOW.

FREQUENCY (Hz)	DRIVE (V RMS)	DC BIAS (mA)	LIMIT (%)
500	0.363	0	10
780	0.13	0	5
1175	0.13	0	5

TABLE 2.

TEST CONDITIONS

NOMINAL SOURCE VOLTAGE	0.13 Vrms, 0 mA DC BIAS
SOURCE IMPEDANCE	< 1 Ω
TUBING	10 mm (.394) LONG, 1 mm (.039) ID.
COUPLER CAVITY	2 CM ³ SIMULATED ANSI S3.7 TYPE HA-3, (IEC 60318-5)

TABLE 3.

ELECTRICAL

DC RESISTANCE	23Ω ±10%
IMPEDANCE @ 500 Hz	26Ω ±15%
IMPEDANCE @ 1 kHz	29Ω ±15%

TABLE 4.

ISOLATION: CASE WILL BE ELECTRICALLY ISOLATED FROM THE COIL CIRCUIT.

TEMPERATURE: OPERATING RANGE FROM 0°C TO 63°C (SENSITIVITY WILL NOT VARY BY MORE THAN ±3 dB WITHIN RANGE)
SENSITIVITY AT 0°C IS 2dB LOWER THAN THE SENSITIVITY AT ROOM TEMPERATURE.
DELTA PEAK IS 1dB HIGHER AT BODY TEMPERATURE (37°C)
STORAGE RANGE FROM -40°C TO 63°C.

Revision	C.O. #	Implementation Date	RELEASE LEVEL	REVISION
			Active	D
D	C10113486	5-17-12		
WHEN TEST LIMITS ARE USED TO ESTABLISH INCOMING INSPECTION ACCEPTANCE/REJECTION CRITERIA, CORRELATION OF TEST EQUIPMENT WITH KNOWLES IS ALSO REQUIRED FOR ELIMINATION OF EQUIPMENT AND TEST METHOD VARIATION				
TITLE: RECEIVER			FED-30048-104	DR. BY DATE LSY 8-25-06
PERFORMANCE SPECIFICATION			SHT 2.1	CK. BY DATE GJP 9-8-06
				APP. BY DATE GJP 9-8-06

KNOWLES ELECTRONICS
ITASCA, ILLINOIS U.S.A.