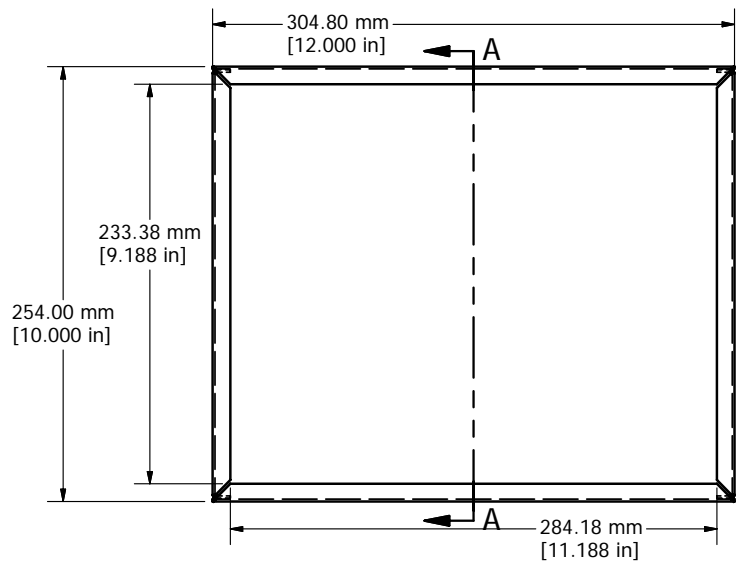
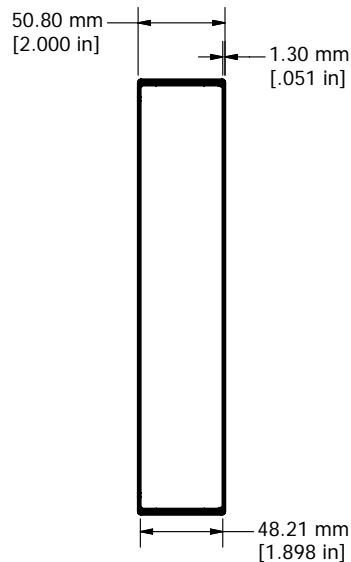
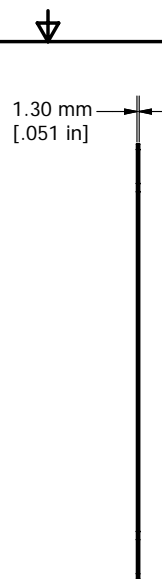


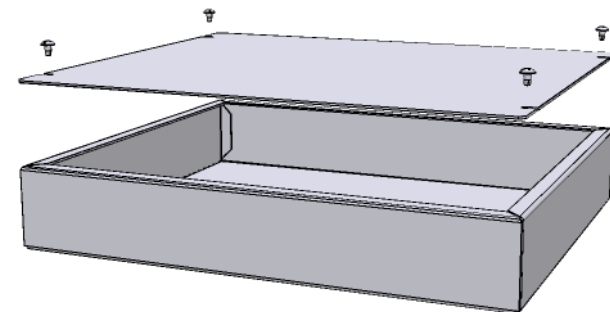
1434-29 - VIEW FROM TOP (SOLD SEPERATELY)



1444-29 - VIEW FROM TOP (SOLD SEPERATELY)



SECTION A-A



MATERIAL - 0.051" UNPAINTED ALUMINUM - ALL PARTS SOLD SEPERATELY

- CHASIS - 1444-29

- COVER - 1434-29

- 6 SCREWS (6-32 x 1/4 SHEET METAL SCREWS) - 1421J6

Contact Factory mjm@hammondmfg.com for quotes
 Enclosures can be Factory Modified (Milling, Drilling, Printing etc.)
 Solid models of this enclosure available in STEP or IGES.



**HAMMOND
 MANUFACTURING™**

1444-29

www.hammondmfg.com