

PRODUCT NUMBER	REMARK
10126428-001C-TRLF	OBSOLETE
10126428-002C-TRLF	



A

B

C

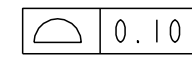
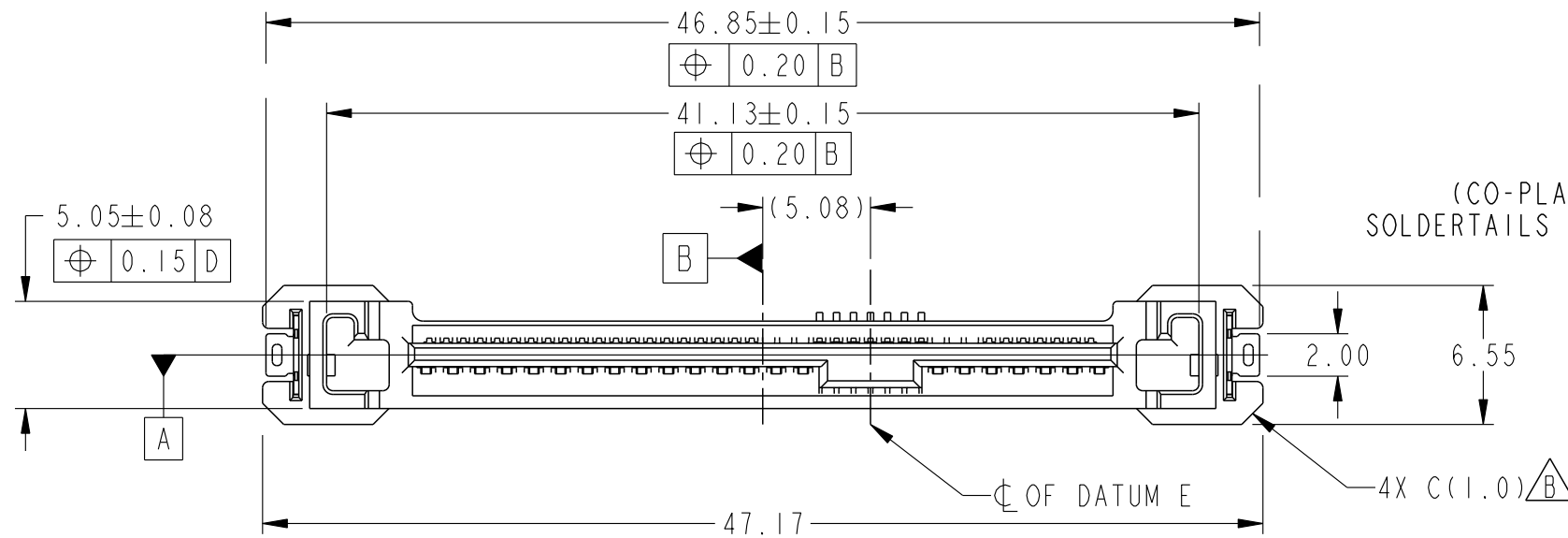
D

A

B

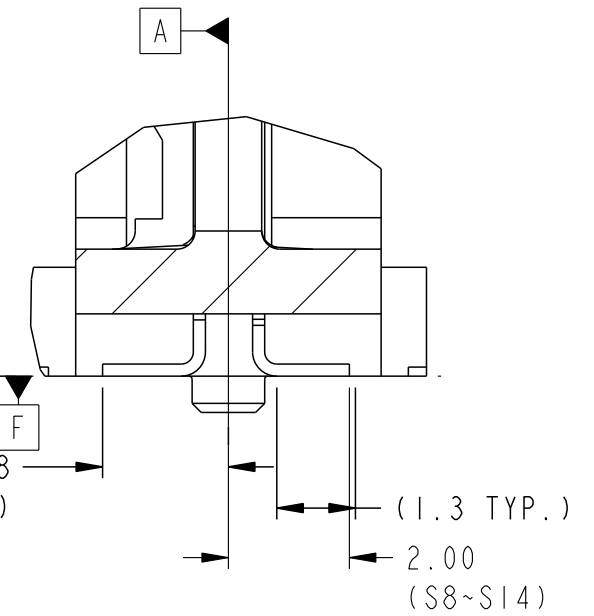
C

D

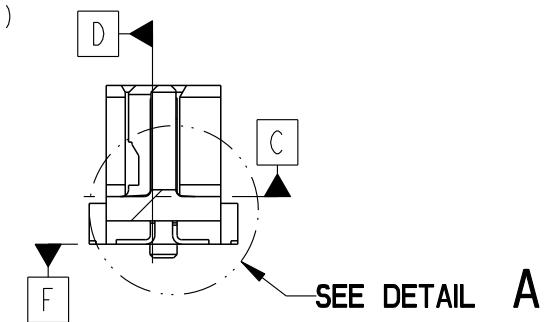
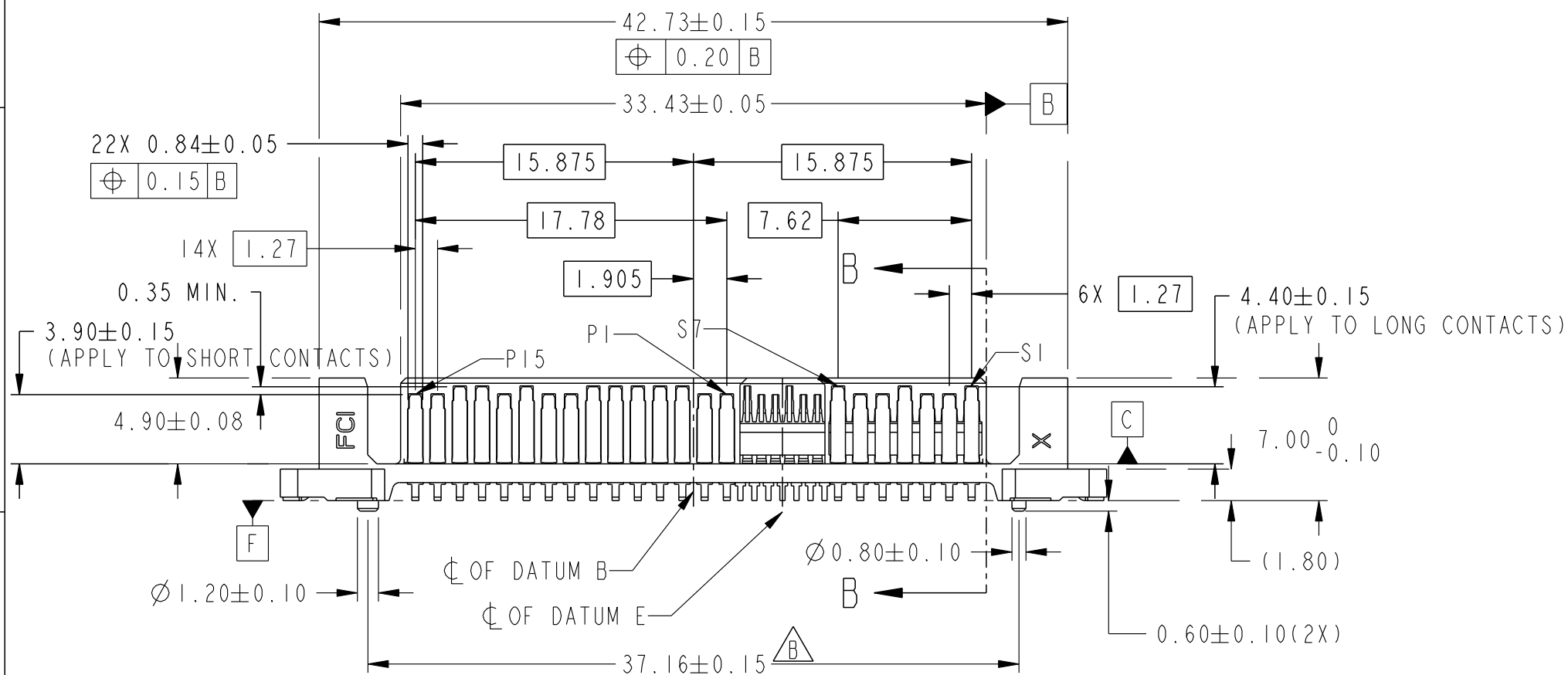


(CO-PLANARITY FOR ALL SOLDER TAILS AND HOLD DOWN)

(S1~S7; P1~P15)



DETAIL A  
SCALE 8:1

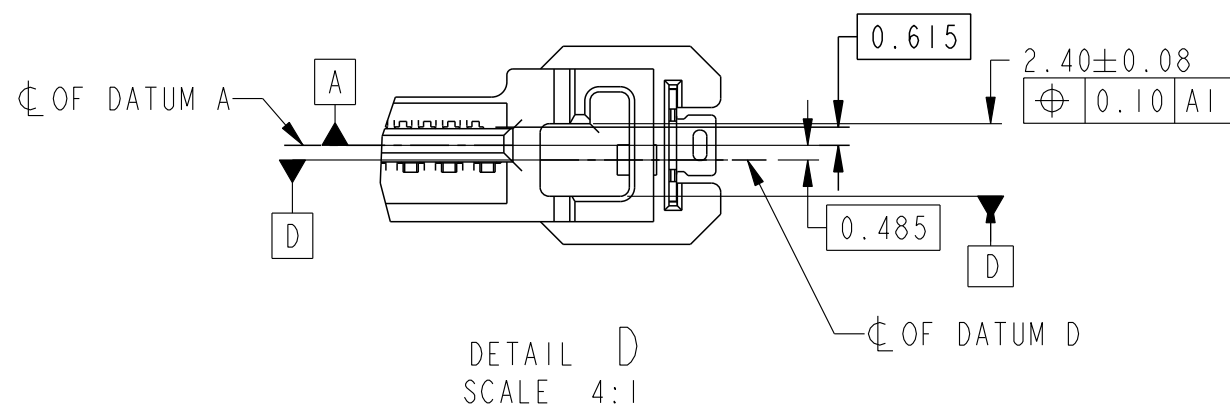
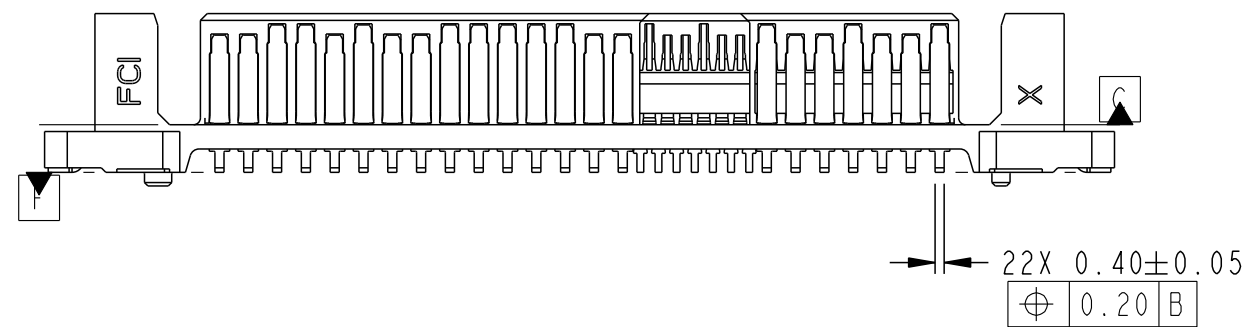
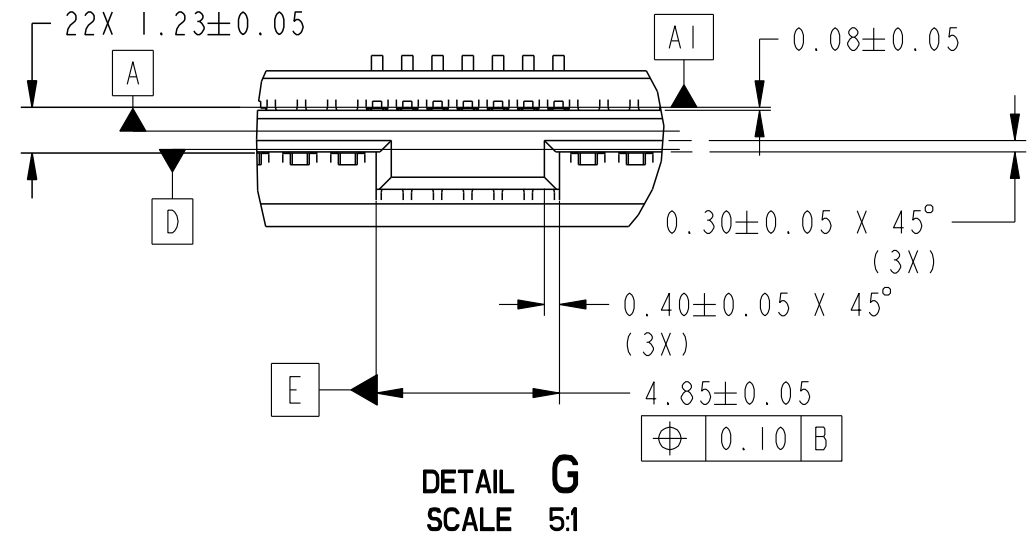
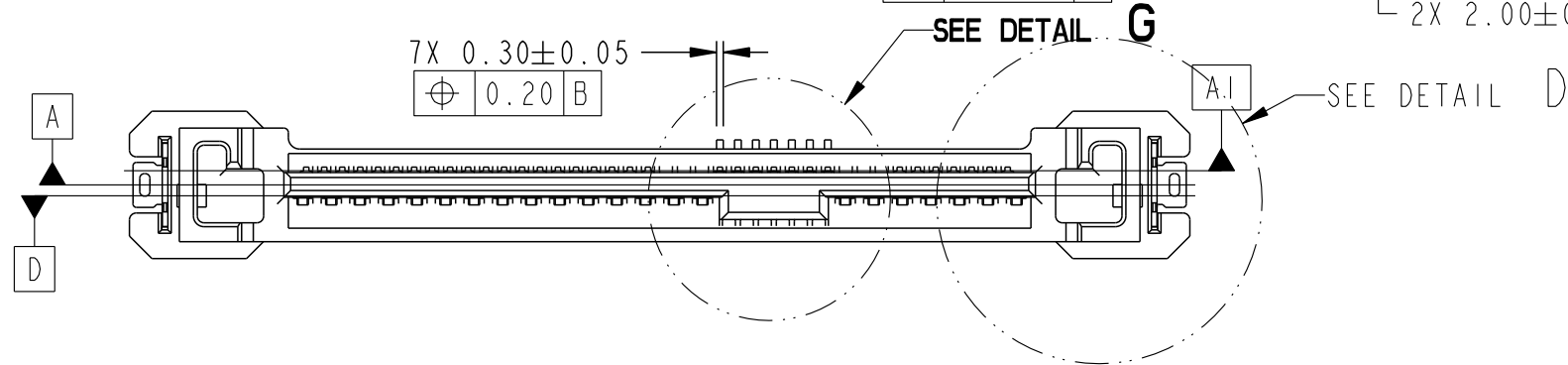
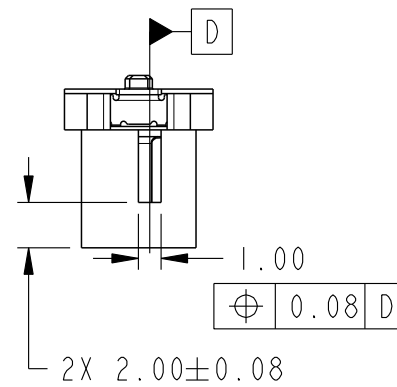
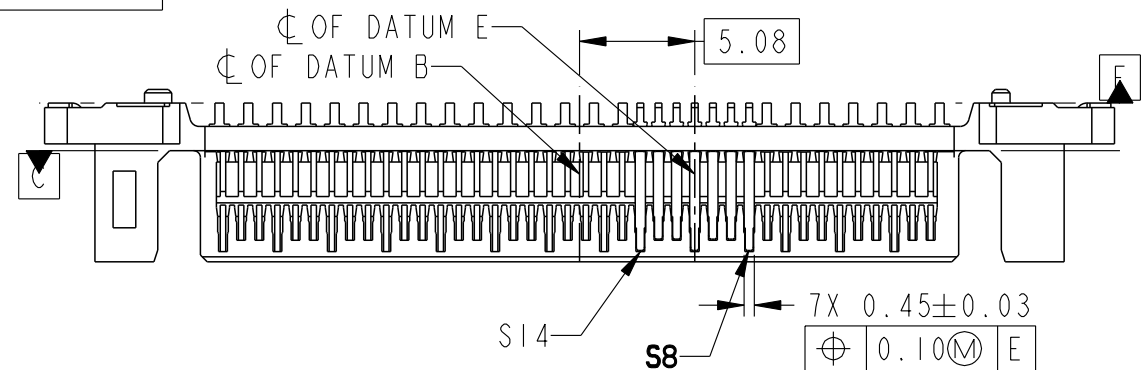


SECTION B-B

SEE DETAIL A

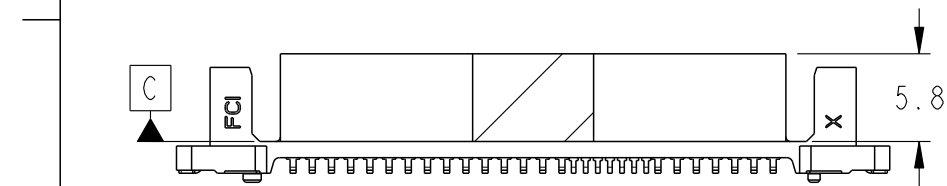
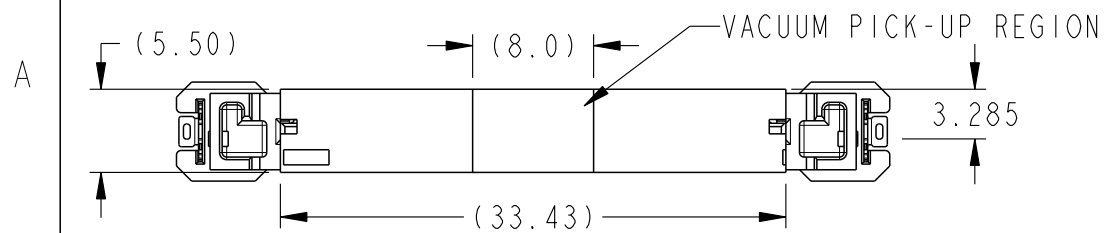
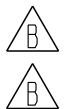
spec ref	-	dr	Jeffrey Lim	2014/08/28	projection	MM	size	A3	scale	3:1
tolerance std	ASME Y14.5	eng	Jeffrey Lim	2016/02/01			ecn no	ELX-S-23180-1	rel level	Released
TOLERANCES UNLESS OTHERWISE SPECIFIED		chr	-	product family						
surface	ASME Y14.5	appr	Koon-Poh Tay	2016/03/09			12G SAS PLUG VERTICAL SMT ASSY		dwg no 10126428	rev B
					cat. no.	-	Product - Customer Drw	sheet 1 of 3		

PRODUCT NUMBER  
SEE TABLE

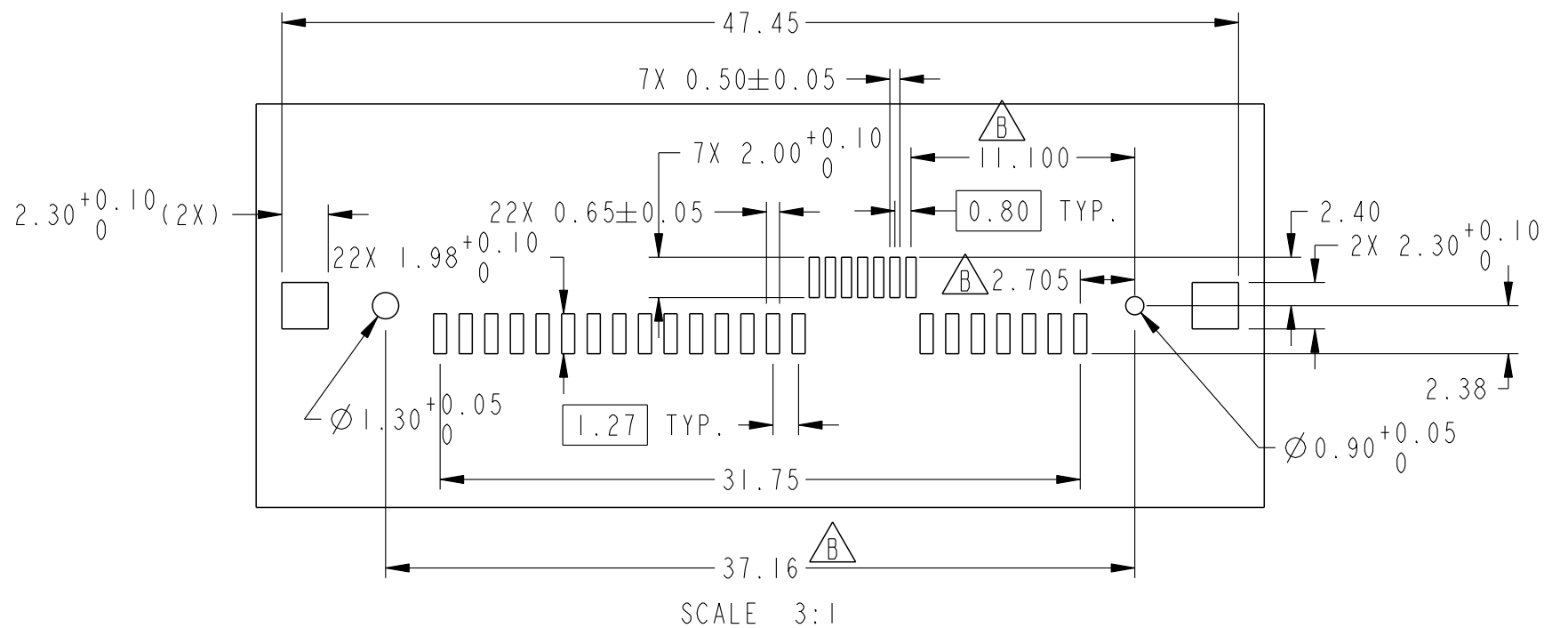


spec ref	-	dr	Jeffrey Lim	2014/08/28	projection	MM	size	A3	scale	3:1			
tolerance std	ASME Y14.5	eng	Jeffrey Lim	2016/02/01			ecn no	ELX-S-23180-1					
TOLERANCES UNLESS OTHERWISE SPECIFIED		chr	-	apppr			Koon-Poh Tay	2016/03/09	product family	-	rel level	Released	
surface	ASME Y14.5	linear	0.X	±0.25		12G SAS PLUG VERTICAL SMT ASSY	dwg no 10126428	rev B	angular 0° ±2°				
		0.XX	±0.13						cat. no.	-	Product - Customer Drw	sheet 2 of 3	
		0.XXX	±0.050										

PRODUCT NUMBER	PACKAGING	REMARK
10126428-001C-TRLF	TAPE & REEL	OBSOLETE
10126428-002C-TRLF		



SCALE 2:1  
WITH PICK-UP CAP ATTACHED



SCALE 3:1  
RECOMMENDED PCB LAYOUT

NOTES:

- MATERIAL:  
HOUSING & CAP: HIGH TEMPERATURE THERMOPLASTIC, BALCK, UL94V-0  
CONTACT & HOLD DOWN: COPPER ALLOY
- FINISH:  
CONTACT: 1.27µm MIN. Ni UNDERPLATE OVERALL,  
1.91µm MIN. 100% MATTE Sn (LEAD-FREE) ON SOLDER TAIL,  
0.76µm MIN. Au ON CONTACT AREA  
HOLD DOWN: 1.91µm MIN. 100% MATTE Sn (LEAD-FREE) OVER 1.27µm MIN. Ni UNDERPLATE OVERALL
- PRODUCT SPEC.: GS-12-1120
- PACKAGING SPEC.: GS-14-2307(TAPE & REEL)
- THIS PRODUCT MEETS EUROPEAN UNION DIRECTIVES AND OTHER COUNTRY REGULATIONS AS DESCRIBED IN GS-47-0004
- THIS PRODUCT IS COMPLY WITH SFF-8680 SPECIFICATION
- THE HOUSING WILL WITHSTAND EXPOSURE TO 260°C PEAK TEMPERATURE FOR 10 SECONDS IN A CONVECTION, INFRA-RED OR VAPOR PHASE REFLOW OVEN
- A SYMBOL WILL BE NEXT TO ANY DIMENSION, VIEW OR NOTE WHICH HAS BEEN MODIFIED WITH THE CURRENT DRAWING REVISION.



Copyright FCI.

spec ref	-	dr	Jeffrey Lim	2014/08/28	projection	MM	size	A3	scale	2:1		
tolerance std	ASME Y14.5	eng	Jeffrey Lim	2016/02/01		← →	ecn no	ELX-S-23180-1				
TOLERANCES UNLESS OTHERWISE SPECIFIED		chr	-	-			rel level	Released				
surface	✓	appr	Koon-Poh Tay	2016/03/09	product family	-	dwg no	10126428		rev	B	
	linear	0.X	±0.25		12G SAS PLUG VERTICAL SMT ASSY		www.fci.com		cat. no.	-	Product - Customer Drw	sheet 3 of 3
		0.XX	±0.13									
		0.XXX	±0.050									
	angular	0°	±2°									