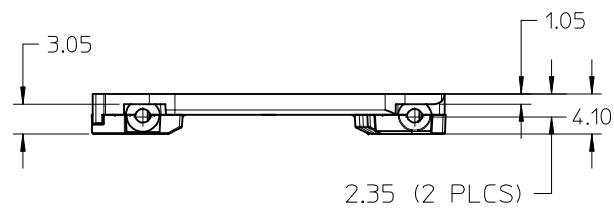
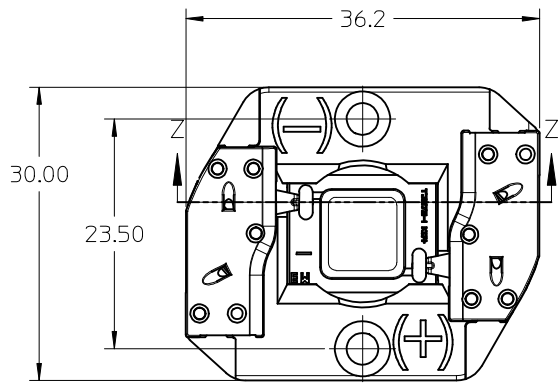


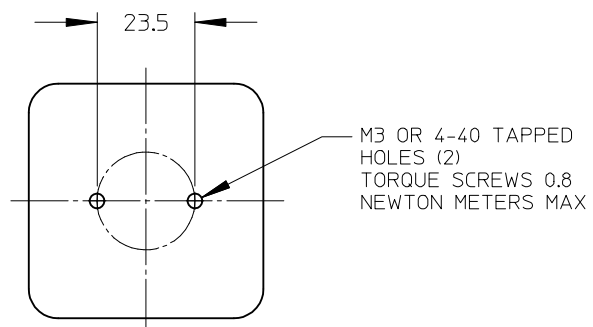
10 9 8 7 6 5 4 3 2 1



SECTION Z-Z



- 1) MATERIALS:
 a. CAPS: NATURAL COLOR PA66 NYLON 25% GF UL94V-0
 b. HOUSING: NATURAL COLOR PA66 NYLON 25% GF UL94V-0
 2) WIRE TRAP TERMINALS: COPPER ALLOY
 a. FINISH: GOLD OVER NICKEL
 3) THIS PRODUCT IS ELV AND ROHS COMPLIANT
 4) APPLICABLE WIRE GAUGE - 18 OR 20 AWG
 a. SOLID WIRE IS RECOMMENDED
 b. IF STRANDED WIRE IS USED, PRE-TINNED IS RECOMMENDED
 c. 1 cm +2/-0 mm STRIP LENGTH IS RECOMMENDED
 5) MOUNT HOLDER USING M3 OR 4-40 SCREWS (2), 0.8 NEWTON METERS MAX TORQUE
 6) UL RECOGNITION TO UL496 - PENDING
 c-UL RECOGNITION TO CSA-C22.2 NO. 43 (2008) - PENDING
 RATED 600V
 UL FILE NUMBER: PENDING



RECOMMENDED MOUNTING DIMENSIONS (NTS)

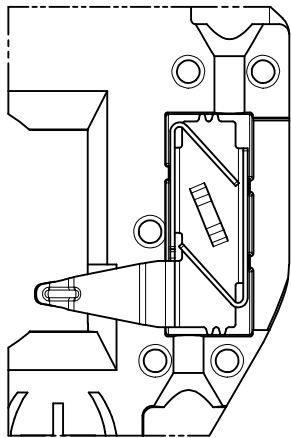
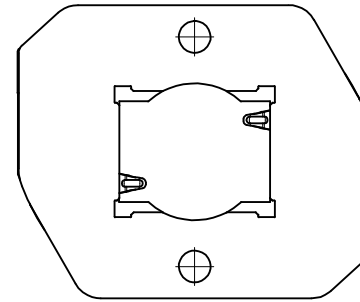
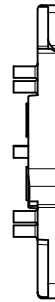
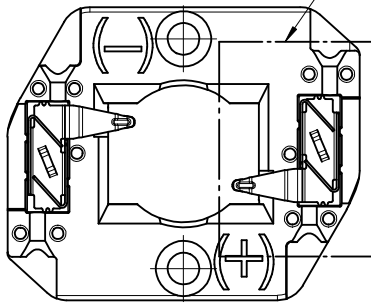
ENTER DESCRIPTION EC NO: SSL2013-0097 DRAWN: CARRANZA 2013/03/06 CHKD: APPR: DMCGOWAN 2013/03/06 REV	QUALITY SYMBOLS	GENERAL TOLERANCES (UNLESS SPECIFIED)	DIMENSION STYLE	SCALE	DESIGN UNITS	THIRD ANGLE PROJECTION
	▽/0	mm INCH	MM ONLY	2:1	METRIC	◎ ▽
	▽/0	4 PLACES ± --- ± ---	DRAWN BY DATE	TITLE		
	▽/0	3 PLACES ± --- ± ---	MDEVITO 2012/02/03	SHARP MINI ZENIGATA		
	2 PLACES ± 0.13 ± ---	CHECKED BY DATE	APPROVED BY DATE			MOLEX INCORPORATED DOCUMENT NO.
	1 PLACE ± 0.25 ± ---		DMCGOWAN 2012/02/07			
	ANGULAR ± 1/2°	DRAFT WHERE APPLICABLE MUST REMAIN WITHIN DIMENSIONS	MATERIAL NO.	1803900002	SD-180390-002	SHEET NO. 1 OF 2
			THIS DRAWING CONTAINS INFORMATION THAT IS PROPRIETARY TO MOLEX INCORPORATED AND SHOULD NOT BE USED WITHOUT WRITTEN PERMISSION			

9 8 7 6 5 4 3 2 1

10 9 8 7 6 5 4 3 2 1

NOTE: WIRE TRAP CAPS ARE REMOVED FOR CLARITY

SEE DETAIL A



VIEW OF TWO-WAY WIRE TRAP

WIRE TRAPS CAN ACCOMMODATE
18 OR 20 GAUGE WIRE

DETAIL A
Scale 4:1

ENTER DESCRIPTION EC NO: SSL2013-0097 DRW: MCCARRANZA 2013/03/06 CHKD: APPR: DMCGOWAN 2013/03/06 REV	QUALITY SYMBOLS	GENERAL TOLERANCES (UNLESS SPECIFIED)		DIMENSION STYLE MM ONLY		SCALE 2:1	DESIGN UNITS METRIC	THIRD ANGLE PROJECTION		
	$\nabla = 0$	mm	INCH	DRAWN BY MDEVITO	DATE 2012/02/03	TITLE SHARP MINI ZENIGATA				
	$\nabla = 0$	4 PLACES ± ---	± ---	CHECKED BY	DATE					
	$\nabla = 0$	3 PLACES ± ---	± ---	APPROVED BY DMCGOWAN		DATE 2012/02/07	MOLEX INCORPORATED		SHEET NO. 2 OF 2	
	$\nabla = 0$	2 PLACES ± 0.13	± ---	MATERIAL NO. 1803900002		DOCUMENT NO. SD-180390-002				
	1 PLACE ± 0.25	± ---	DRAFT WHERE APPLICABLE MUST REMAIN WITHIN DIMENSIONS		THIS DRAWING CONTAINS INFORMATION THAT IS PROPRIETARY TO MOLEX INCORPORATED AND SHOULD NOT BE USED WITHOUT WRITTEN PERMISSION					

9 8 7 6 5 4 3 2 1