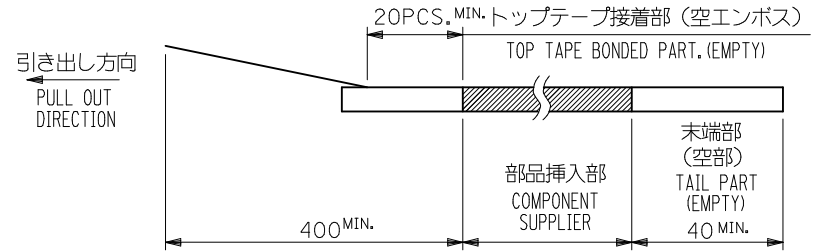
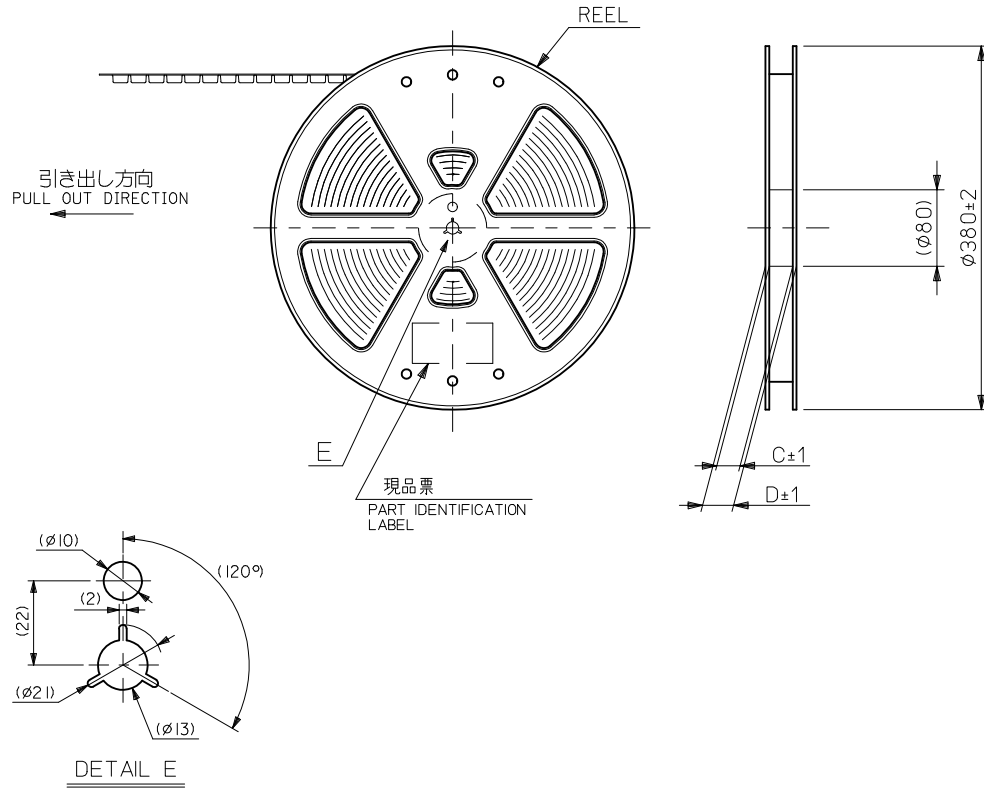
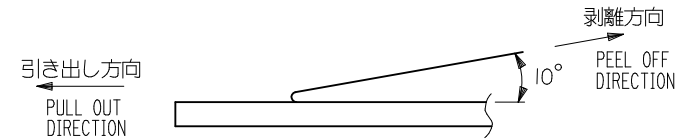


NOTES

- 製品詳細寸法については図面 SD-51281-011 を参照下さい。
RE DETAILED DIMENSION, SEE SD-51281-011
- 梱包数量：3000個/リール
NUMBER OF CONNECTORS : 3000PCS/REEL
- リードテープ長さ LEAD TAPE LENGTH

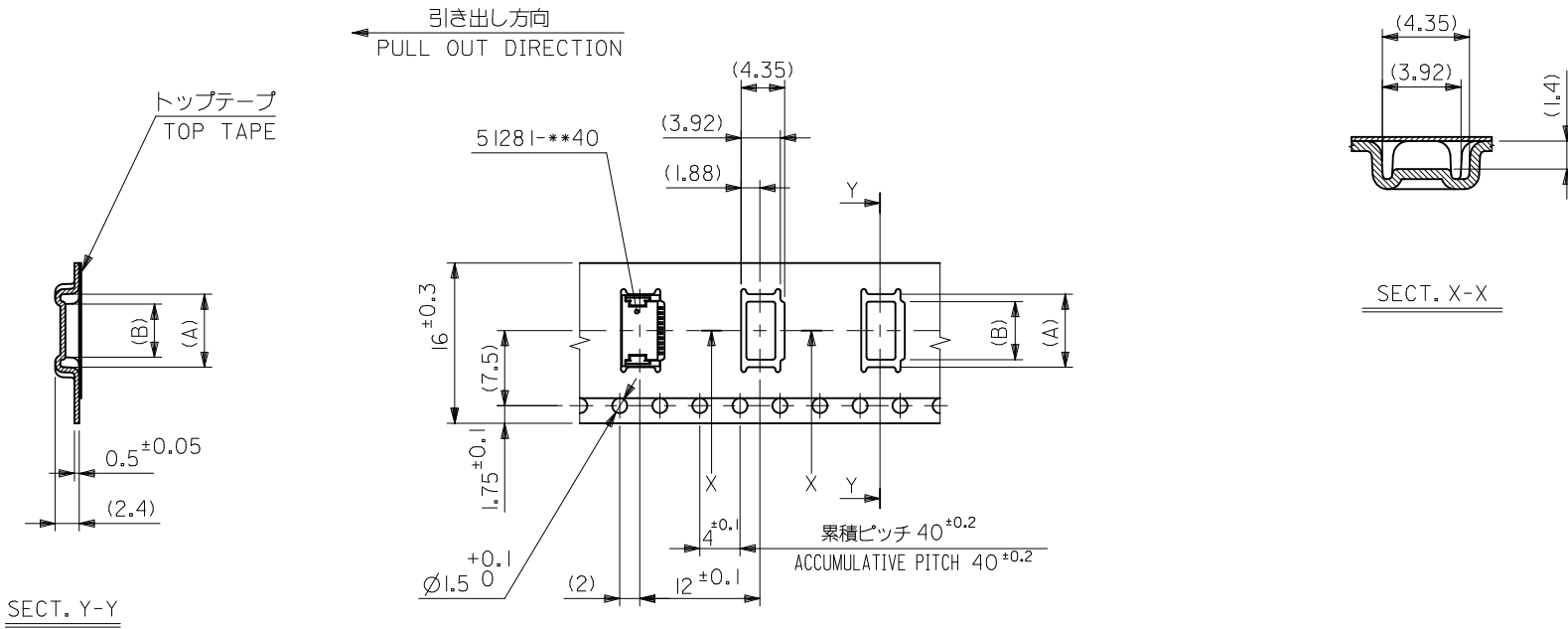


- トップテープの剥離強度：0.1N~1.3N {10gf~130gf}
(剥離方向は下図参照)
尚、本規格値は出荷時に適用。(但し、輸送時に剥離が発生しないこと。)
PEELING OFF FORCE OF TOP TAPE : 0.1N~1.3N {10gf~130gf}
(PEELING DIRECTION AS SHOWN IN FOLLOWING FIG.)
THIS REQUIREMENT SHOULD BE APPLIED AT SHIPMENT.
PEEL OFF SHOULD NOT BE ALLOWED, DURING TRANSPORTATION.



- 材料 (MATERIAL)
キャリアテープ (CARRIER TAPE) : ポリプロピレン (POLYPROPYLENE)
トップテープ (TOP TAPE) : PET, PE, PEF
リール (REEL) : ポリスチレン (PS) <リサイクル材含む>
POLYSTYREN (PS) <RECYCLE MATERIAL CONTAINED>
- C, D 寸法は SHEET 2 ~ 3 を参照下さい。
SEE SHEET 2 ~ 3 (DIMENSION C, D).
- ELV 及び RoHS 適合品。
ELV AND RoHS COMPLIANT.

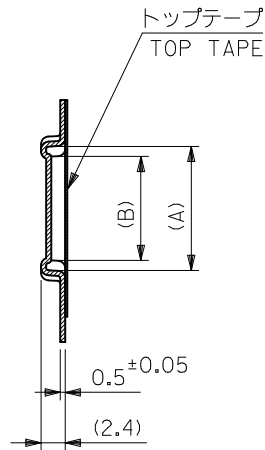
| | | | | | | | | | |
|--|--|---|----------------------------|--------------------|--|------------------------------|------------------------|--|--|
| REVISED EC NO: J2010-2187 DRWN: TONO 2010/04/30 CHKD: HIJIMA 2010/09/15 APPR: KMORIKAWA 2010/10/04 | GENERAL TOLERANCES (UNLESS SPECIFIED) | | DIMENSION STYLE MM ONLY | | SCALE --- | DESIGN UNITS METRIC | THIRD ANGLE PROJECTION | | |
| | 10 UNDER | ±0.2 | DRAWN BY KENSUZUKI | DATE 2004/10/19 | TITLE 0.5 FPC CONN NON-ZIF (HGT=1.2MM) EMBSTP PKG | | | | |
| | 10 OVER 30 UNDER | ±0.25 | CHECKED BY NUKITA | DATE 2004/10/19 | MOLEX INCORPORATED | | | | |
| | 30 OVER | ±0.3 | APPROVED BY NUKITA | DATE 2004/10/19 | MATERIAL NO. SEE SHEET 2~4 | DOCUMENT NO. SD-51281-012 | SHEET NO. 1 OF 4 | | |
| | ANGULAR ±3 ° | THIS DRAWING CONTAINS INFORMATION THAT IS PROPRIETARY TO MOLEX INCORPORATED AND SHOULD NOT BE USED WITHOUT WRITTEN PERMISSION | | | | | | | |
| | DRAFT WHERE APPLICABLE MUST REMAIN WITHIN DIMENSIONS | | | | | | | | |



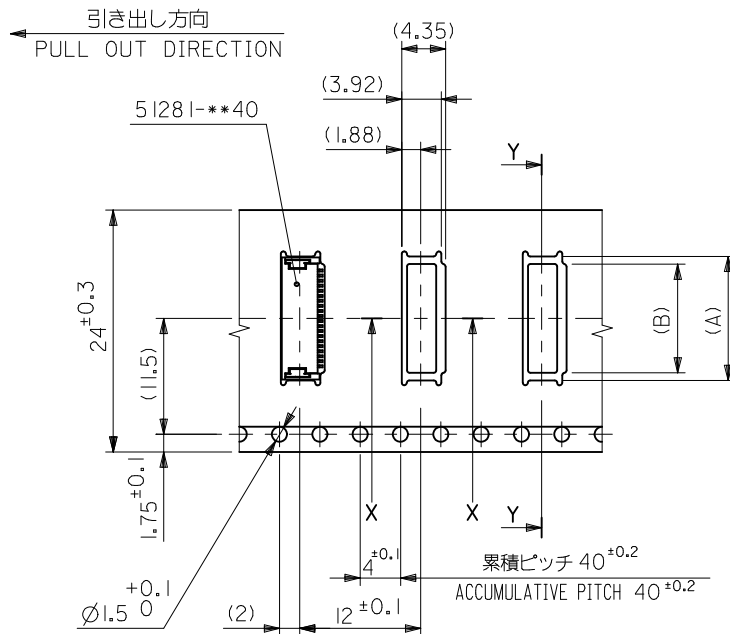
16mm幅キャリアテープ
16mm WIDTH CARRIER TAPE

| | | | | | | |
|--------------------------------|------|------|----------------------|-----|---------------|-----|
| 16 | 21.4 | 17.4 | 4.3 | 6.3 | 51281-0894 | 8 |
| | | | 3.8 | 5.8 | 51281-0794 | 7 |
| | | | 3.3 | 5.3 | 51281-0694 | 6 |
| | | | 2.8 | 4.8 | 51281-0594 | 5 |
| キャリアテープ幅 CARRIER TAPE WIDTH | | | D | C | (B) | (A) |
| | | | 製品番号 MATERIAL No. | | 極数 CIRCUIT | |

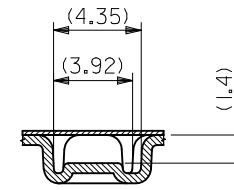
| | | | | | | | | | | |
|--|--------------------|--|-------|--|--------------------|---|------------------------|--|--|--|
| REVISED EC NO.: J2010-2187 DRWN: TONO CHKD: HIJIMA APPR: KMORIKAWA | DESCRIPTION REV | GENERAL TOLERANCES (UNLESS SPECIFIED) | | DIMENSION STYLE MM ONLY | | SCALE --- | DESIGN UNITS METRIC | THIRD ANGLE PROJECTION | | |
| | | 10 UNDER | ±0.2 | DRAWN BY KENSUZUK | DATE 2004/10/19 | TITLE 0.5 FPC CONN NON-ZIF (HGT=1.2MM) EMBSTP PKG | | | | |
| | | 10 OVER 30 UNDER | ±0.25 | CHECKED BY NUKITA | DATE 2004/10/19 | APPROVED BY NUKITA | | | | |
| | | 30 OVER | ±0.3 | APPROVED BY NUKITA | DATE 2004/10/19 | MATERIAL NO. DOCUMENT NO. | | | | |
| | | ANGULAR ±3 ° | | DRAFT WHERE APPLICABLE MUST REMAIN WITHIN DIMENSIONS | | SIZE A3 | | SEE TABLE | | |
| | | | | | | MOLEX INCORPORATED | | SD-51281-012 | | |
| | | | | | | | | SHEET NO. 2 OF 4 | | |
| | | | | | | | | THIS DRAWING CONTAINS INFORMATION THAT IS PROPRIETARY TO MOLEX INCORPORATED AND SHOULD NOT BE USED WITHOUT WRITTEN PERMISSION | | |



SECT. Y-Y



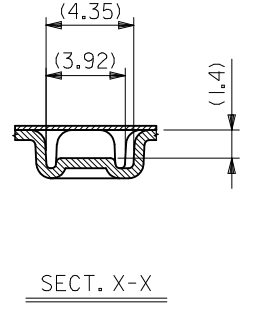
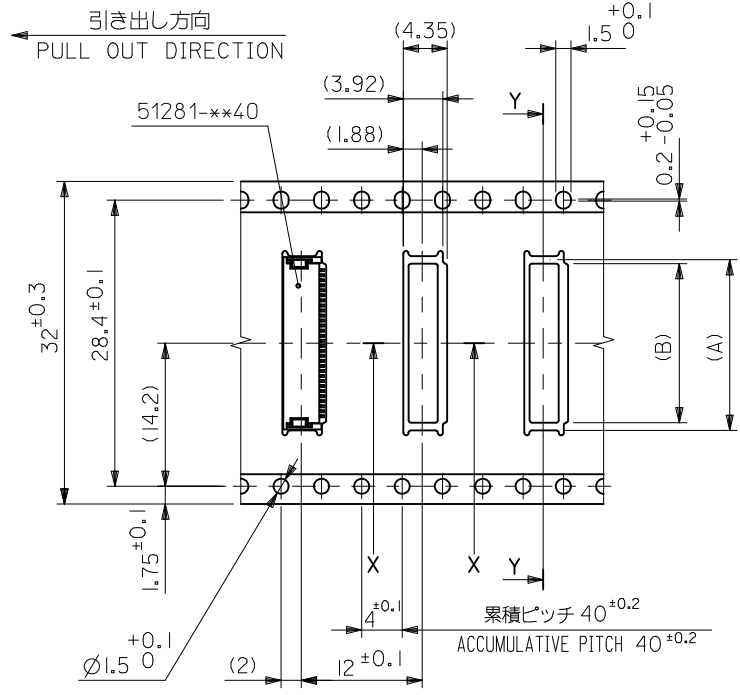
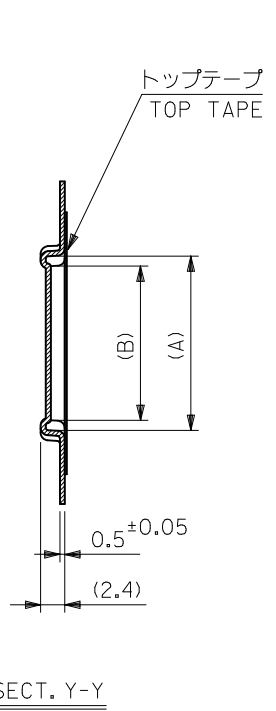
24mm幅キャリアテープ
24mm WIDTH CARRIER TAPE



SECT. X-X

| | | | | | | | | |
|--------------------------------|------|------|------|------|------------|-----|----------------------|---------------|
| 24 | 29.4 | 25.4 | 12.3 | 14.3 | 51281-2494 | 24 | | |
| | | | 11.3 | 13.3 | 51281-2294 | 22 | | |
| | | | 10.3 | 12.3 | 51281-2094 | 20 | | |
| | | | 9.3 | 11.3 | 51281-1894 | 18 | | |
| | | | 8.3 | 10.3 | 51281-1694 | 16 | | |
| | | | 7.3 | 9.3 | 51281-1494 | 14 | | |
| | | | 6.3 | 8.3 | 51281-1294 | 12 | | |
| | | | 5.3 | 7.3 | 51281-1094 | 10 | | |
| | | | 4.8 | 6.8 | 51281-0994 | 9 | | |
| キャリアテープ幅 CARRIER TAPE WIDTH | | | D | C | (B) | (A) | 製品番号 MATERIAL No. | 極数 CIRCUIT |

| | | | | | | | | | | |
|---|---|--|-------|--|--------------------|---|------------------------------|---------------------------|--|--|
| REVISED EC NO.: J2010-2187 DRWN: TONO CHKD: HIJIMA APPR: KMORIKAWA REV C | DESCRIPTION 2010/04/30 2010/09/15 2010/10/04 | GENERAL TOLERANCES (UNLESS SPECIFIED) | | DIMENSION STYLE MM ONLY | | SCALE --- | DESIGN UNITS METRIC | THIRD ANGLE PROJECTION | | |
| | | 10 UNDER | ±0.2 | DRAWN BY KENSUZUKI | DATE 2004/10/19 | TITLE 0.5 FPC CONN NON-ZIF (HGT=1.2MM) EMBSTP PKG | | | | |
| | | 10 OVER 30 UNDER | ±0.25 | CHECKED BY NUKITA | DATE 2004/10/19 | MOLEX INCORPORATED | | | | |
| | | 30 OVER | ±0.3 | APPROVED BY NUKITA | DATE 2004/10/19 | MATERIAL NO. SEE TABLE | DOCUMENT NO. SD-51281-012 | SHEET NO. 3 OF 4 | | |
| ANGULAR ±3 ° | | DRAFT WHERE APPLICABLE MUST REMAIN WITHIN DIMENSIONS | | THIS DRAWING CONTAINS INFORMATION THAT IS PROPRIETARY TO MOLEX INCORPORATED AND SHOULD NOT BE USED WITHOUT WRITTEN PERMISSION | | | | | | |



32mm幅キャリアテープ
32mm WIDTH CARRIER TAPE

| | | | | | | |
|--------------------------------|------|------|------|------|----------------------|---------------|
| 32 | 37.4 | 33.4 | 13.3 | 15.3 | 51281-2694 | 26 |
| キャリアテープ幅 CARRIER TAPE WIDTH | D | C | (B) | (A) | 製品番号 MATERIAL No. | 極数 CIRCUIT |

| | | | | | | | |
|---|---------------------------------------|---|----------------------------|--------------------|--|------------------------|------------------------|
| REVISED EC NO.: J2010-2187 DRWN: TONO 2010/04/30 CHKD: HIJIMA 2010/09/15 APPR: KMORIKAWA 2010/10/04 | GENERAL TOLERANCES (UNLESS SPECIFIED) | | DIMENSION STYLE MM ONLY | | SCALE --- | DESIGN UNITS METRIC | THIRD ANGLE PROJECTION |
| | 10 UNDER | ±0.2 | DRAWN BY KENSUZUKI | DATE 2004/10/19 | TITLE 0.5 FPC CONN NON-ZIF (HGT=1.2MM) EMBSTP PKG | | |
| | 10 OVER 30 UNDER | ±0.25 | CHECKED BY NUKITA | DATE 2004/10/19 | MOLEX INCORPORATED | | |
| | 30 OVER | ±0.3 | APPROVED BY NUKITA | DATE 2004/10/19 | MATERIAL NO. SD-51281-012 | DOCUMENT NO. | SHEET NO. 4 OF 4 |
| | ANGULAR ±3 ° | DRAFT WHERE APPLICABLE MUST REMAIN WITHIN DIMENSIONS | | SEE TABLE | | | |
| | | THIS DRAWING CONTAINS INFORMATION THAT IS PROPRIETARY TO MOLEX INCORPORATED AND SHOULD NOT BE USED WITHOUT WRITTEN PERMISSION | | | | | |