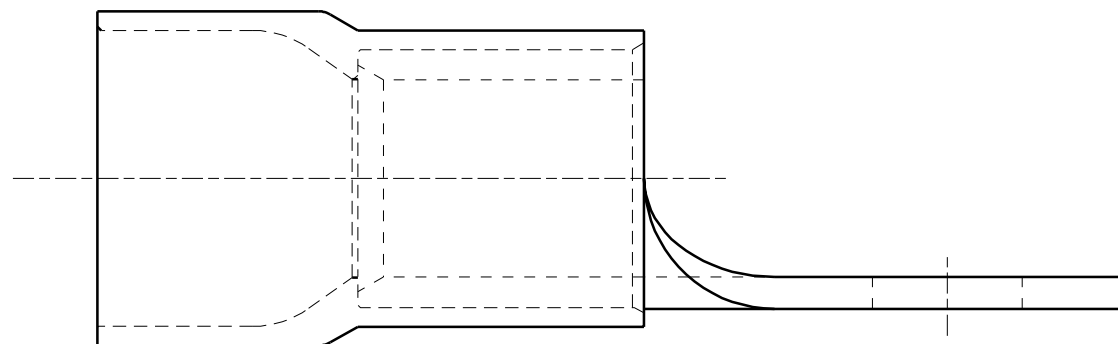
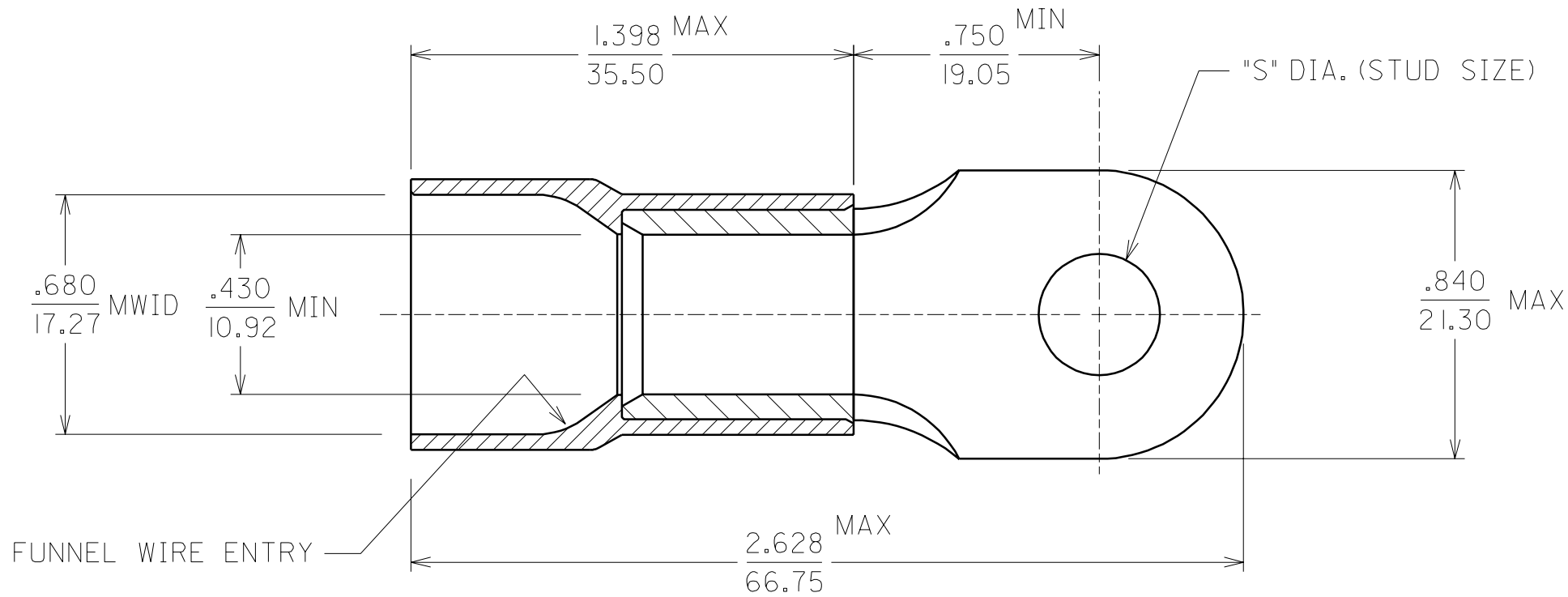


MATERIAL NUMBER	ALTERNATE NUMBER	STUD SIZES	"S"
190670103	H-981-14	1/4	.265
190670104	H-981-56	5/16	.328



- NOTES:
1. MATERIAL: COPPER .075 THICK
PLATING: ELECTROPLATE TIN
 2. INSULATION: BLUE NYLON 6/6
 3. MWID=MAXIMUM WIRE INSULATION DIA.
 4. ALL DIMENSIONS IN INCHES/(MM).

A NEW CUST DGN
ETC2001-0251
01/02/27 EDB

LTR. REVISIONS

CUSTOMER DRAWING

DIMENSIONS SHOWN (METRIC) INCH		REVISE ONLY ON CAD SYSTEM	
UNLESS OTHERWISE SPECIFIED TOLERANCES: ANGULAR ± 1/2°		TITLE NYLAKRIMP FUNNEL ENTRY RING TONGUE TERMINAL I/O AWG	
		molex ETC INC. SHEET NO. DATE PINELLAS PARK, FLA. 33781 U.S.A. 1 OF 1 01/02/02	
3 PLACE ± .005 ± ---	INCH METRIC	PART NO. DRWG. NO. SEE CHART SD-19067-007	
2 PLACE ± .01 ± 0.13		FILE NAME DIV. SIZE SD19067007 DGN ET B	
1 PLACE ± --- ± 0.25		THIS DRAWING CONTAINS INFORMATION THAT IS PROPRIETARY TO MOLEX-ETC INC. AND SHOULD NOT BE USED WITHOUT WRITTEN PERMISSION.	
DRAFT WHERE APPLICABLE MUST REMAIN WITHIN DIMENSIONS			
DRWG. BY EDB	CHK'D. BY HEB		
APP'D. BY RWD	SCALE NO:NE		