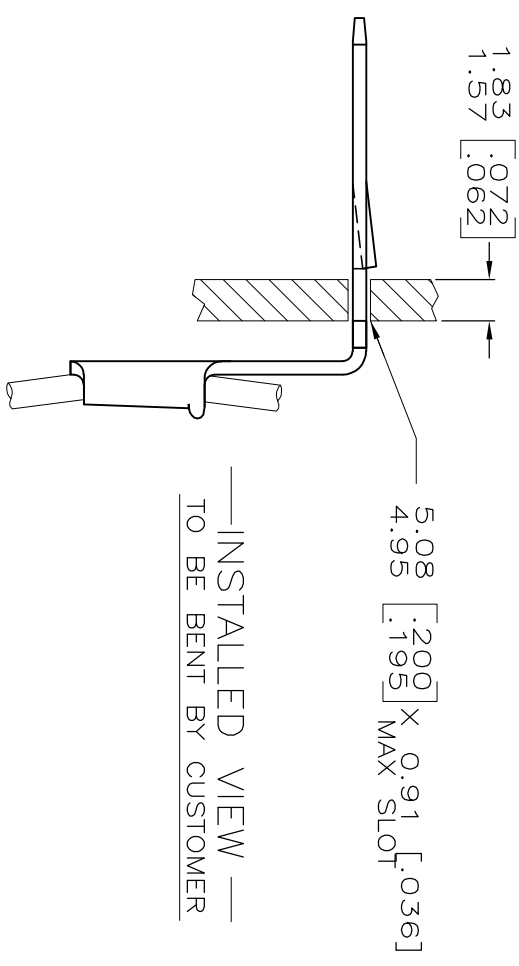
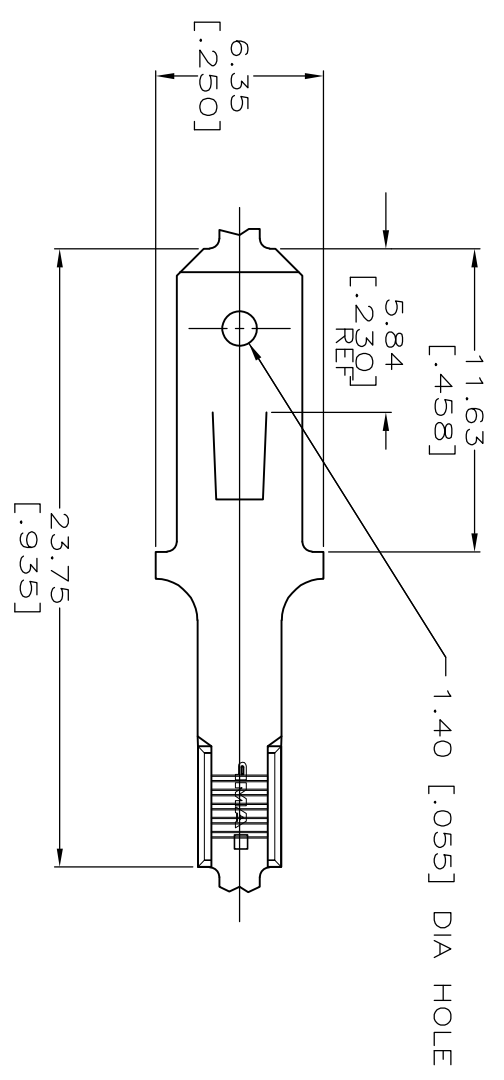


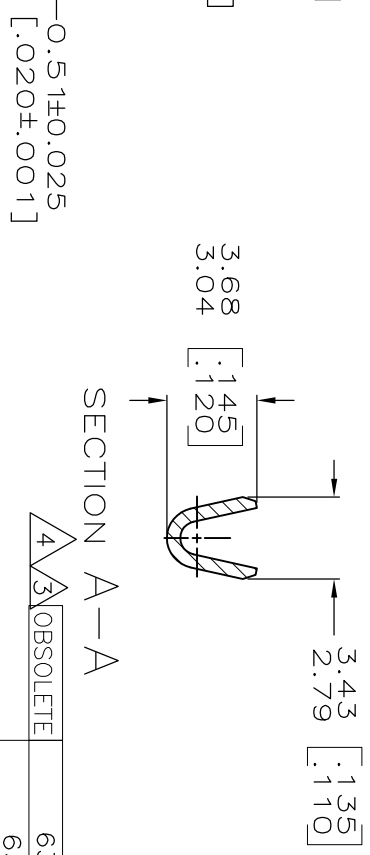
THIS DRAWING IS UNPUBLISHED. RELEASED FOR PUBLICATION BY AMP INCORPORATED. ALL INTERNATIONAL RIGHTS RESERVED. © COPYRIGHT 19 BY AMP INCORPORATED. ALL INTERNATIONAL RIGHTS RESERVED. '19

| LOC | DIST | P | ZONE | LTR | REVISIONS | DATE | APPD |
|-----|------|---|------|-----|---------------------------|---------|--------|
| AF | 50 | | | | | | |
| | | | | C1 | REVISED PER ECO-09-020774 | 25AUC09 | KK/AEG |



—INSTALLED VIEW —
TO BE BENT BY CUSTOMER

- 1 CONTINUOUS STRIP ON REELS.
- 2 1.29-0.72mm DIA [#21-#16 MAG] WIRE SIZE.
- 3 REVERSE REEL OF 63095-1.
- 4 OBSOLETE PARTS: OBSOLETE CIS STREAMLINING PER D.RENAUD/D.SINISI



| | | | |
|---|---|----------|---------|
| 4 | 3 | OBSOLETE | 63095-2 |
| | | | 63095-1 |

PART NO

| | | | | | |
|--|--|----------------------------|--------|--------------|---|
| DO NOT SCALE PRINT. UNLESS SPECIFIED DIMENSIONS IN mm [INCHES] | | DR | 4/1/96 | JR RUTH | <p>AMP Incorporated Harrisburg, PA 17105-3608</p> |
| TOLERANCES ON: | | CHK | 4/1/96 | MS FERRER | |
| 1. FIC DEC ± 0.38 [0.15] | | APPD | 4/1/96 | J HUIZAR | |
| 2. FIC DEC ± 0.38 [0.15] | | APPD | 4/1/96 | KARACIJEVICH | |
| 3. FIC DEC ± 0.38 [0.15] | | PRODUCT SPEC | | | |
| MATERIAL | | 082 BRASS | | | |
| FINISH | | 0.002032 [.000080] MIN TIN | | | |

| | |
|------------|---|
| NAME | TAB, FASTON, AMPLIVAR, 4.75 [.187] SERIES |
| SIZE | B |
| CAGE CODE | 00779 |
| DRAWING NO | 63095 |
| SCALE | 5:1 |
| SHEET | 1 OF 1 |