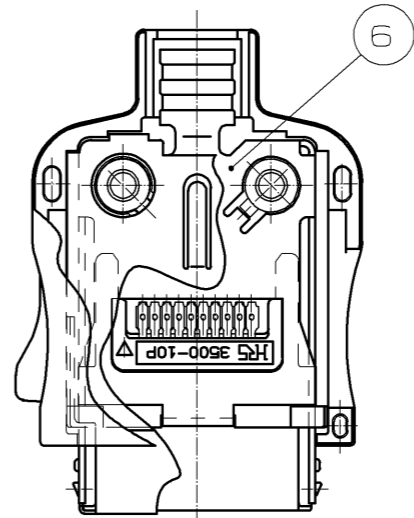
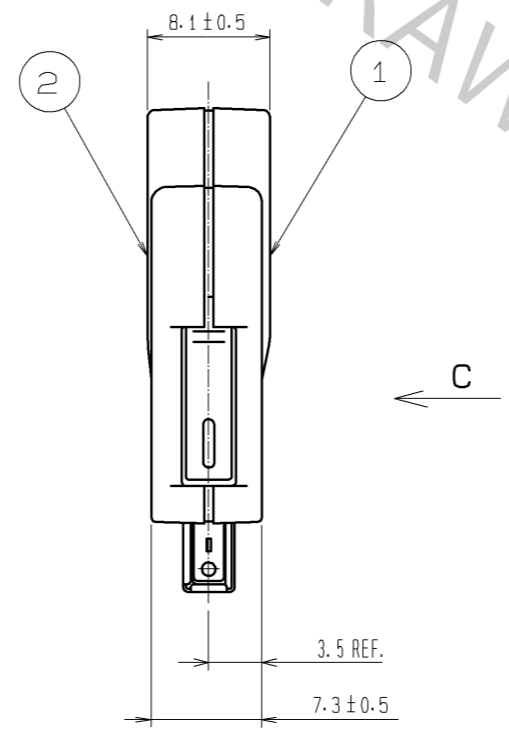
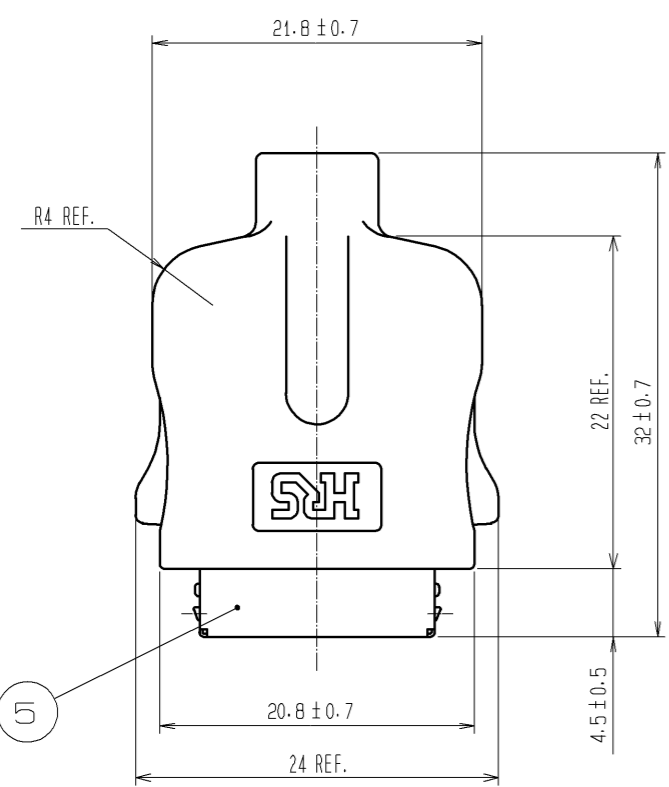
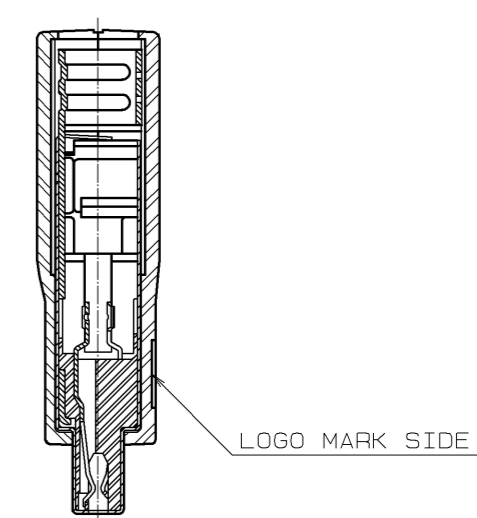


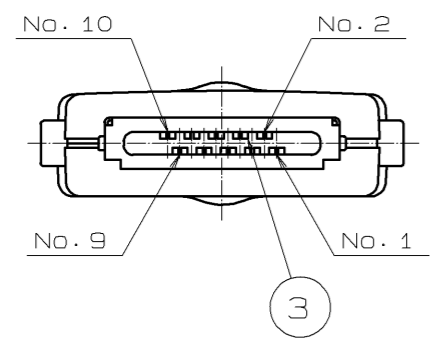
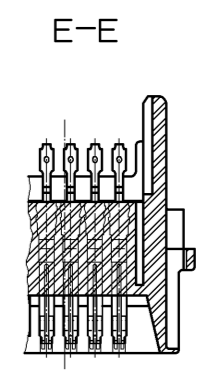
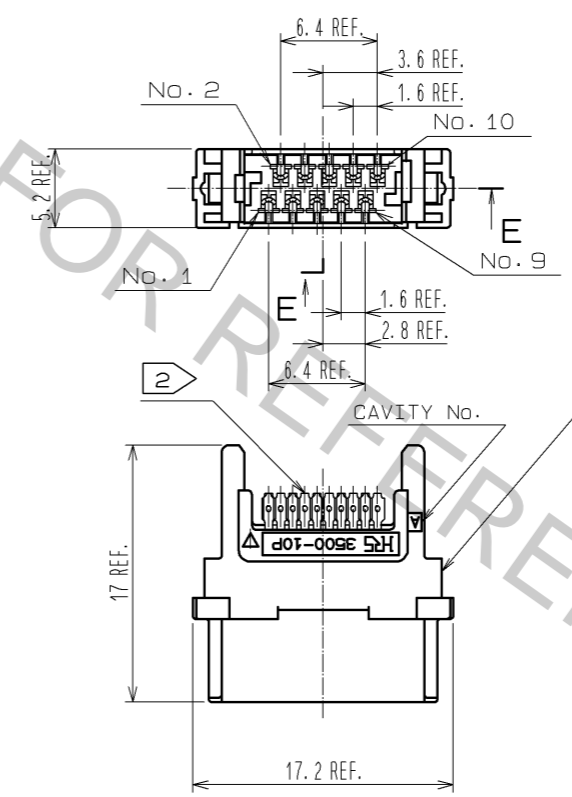
CONSTRUCTION (REFERENCE)



D-D (REFERENCE)



CONNECTOR UNIT



NOTES.

1. THIS PRODUCT SHALL BE IN DISASSEMBLED CONDITION (EXCEPT CONNECTOR UNIT ③, ④) WHEN DELIVERED.
- ② TERMINAL AREA SHALL BE COVERD WITH SHRINKAEGE TUBE AFTER SOLDERING.

4	POLYAMIDE	BLACK	UL94V-0			
3	COPPER ALLOY	SELECTIVE GOLD PLATING 0.2 μm		7	STEEL	BLACK TAPPING SCREW
2	POLYCARBONATE	BLACK	UL94V-0	△	6	STAINLESS STEEL
1	POLYCARBONATE	BLACK	UL94V-0	△	5	STAINLESS STEEL
NO.	MATERIAL	FINISH	REMARKS	NO.	MATERIAL	FINISH . REMARKS
UNITS	mm	SCALE	2 : 1	COUNT	2	DESCRIPTION OF REVISIONS
			DESIGNED	KG. OKITA	CHECKED	TA. ASO
			DATE	12. 11. 07		
APPROVED : HO. MIWA			05. 01. 05	DRAWING NO. EDC3-120712-02		
CHECKED : YH. ENAMI			05. 01. 05	PART NO. 3540-10P-CV(50)		
DESIGNED : TU. TANIGUCHI			05. 01. 05	CODE NO. CL235-0010-4-50		
DRAWN : TU. TANIGUCHI			05. 01. 05	1/1		