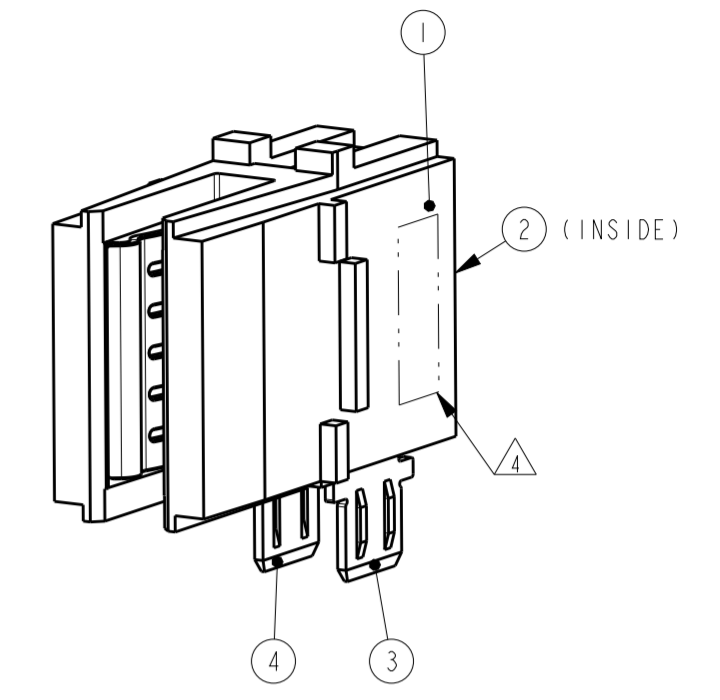
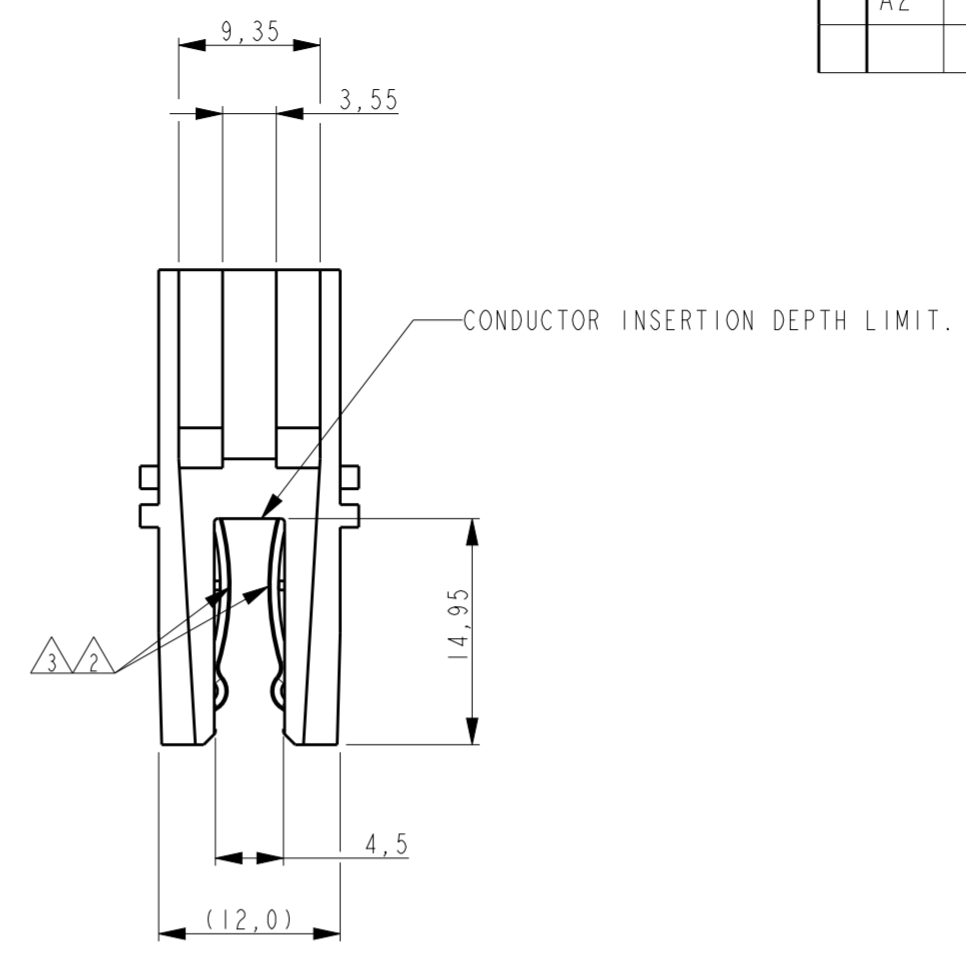
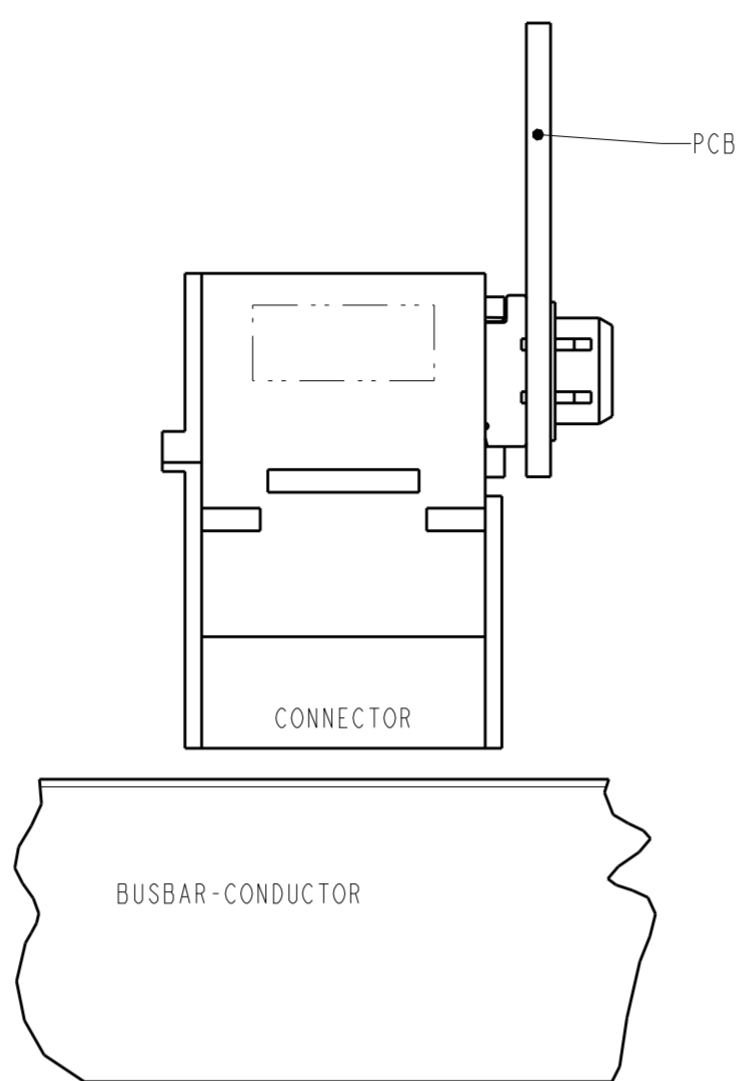
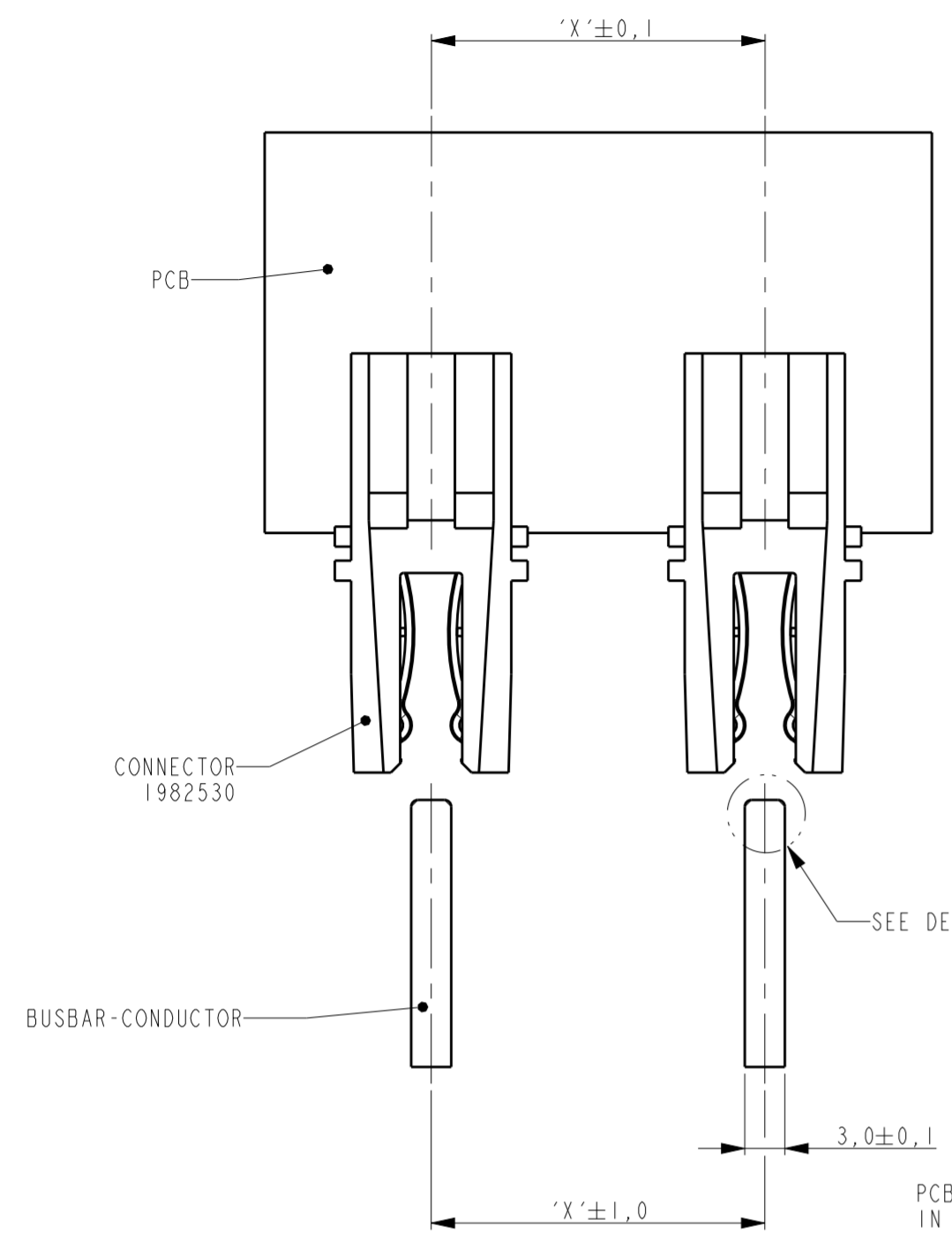
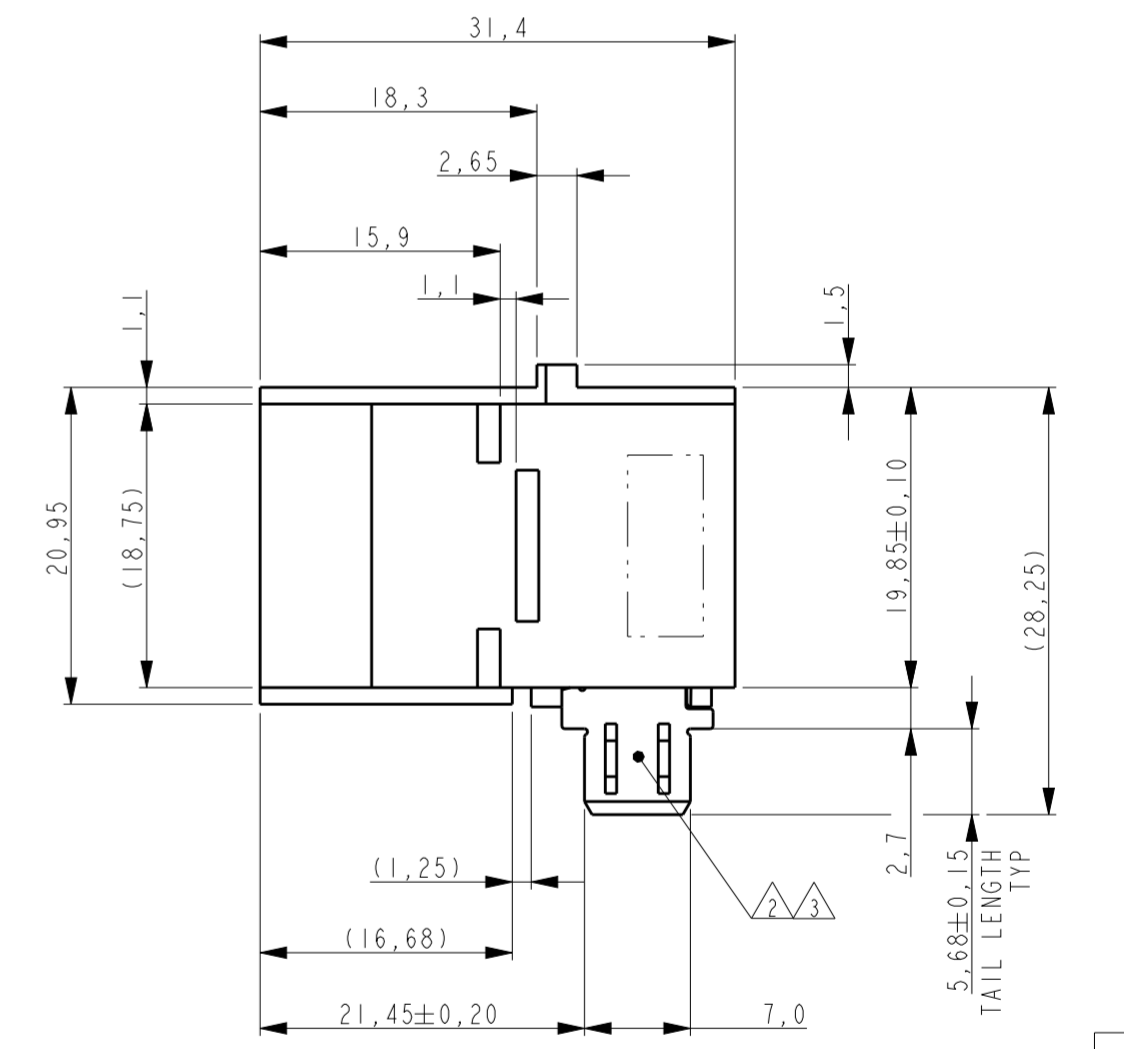
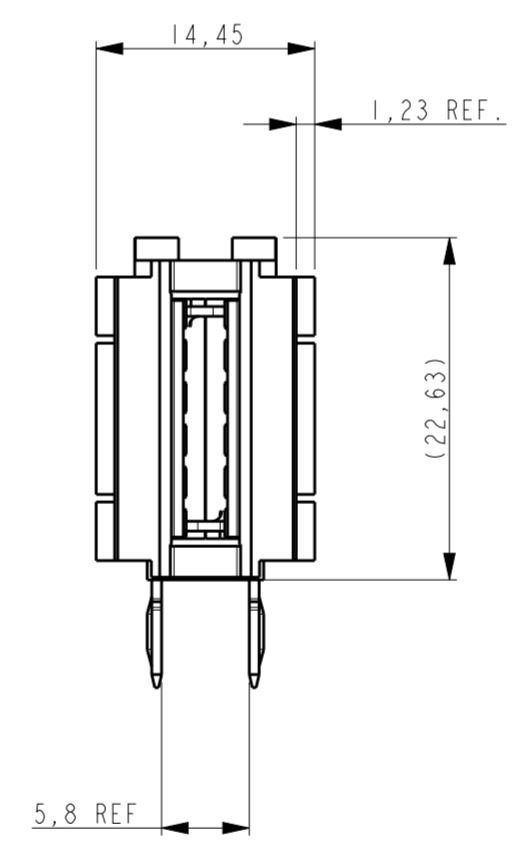
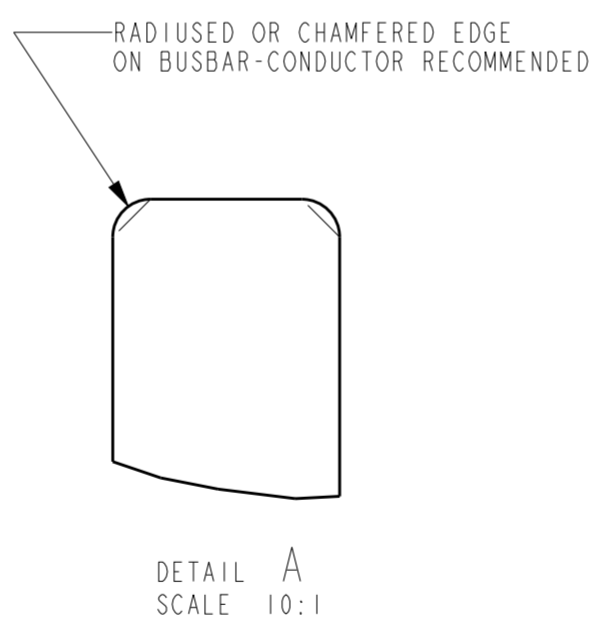
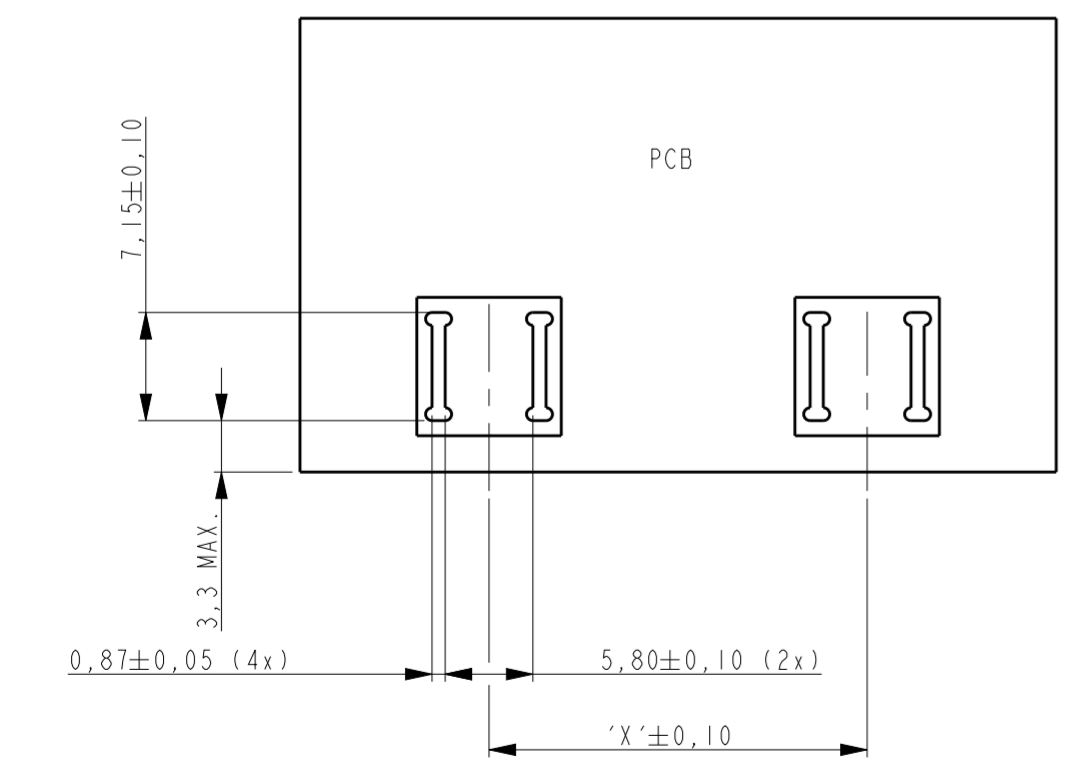


THIS DRAWING IS UNPUBLISHED. RELEASED FOR PUBLICATION
 © COPYRIGHT - BY - ALL RIGHTS RESERVED.

LOC	DIST	REVISIONS					
ES	00	P	LTR	DESCRIPTION	DATE	DWN	APVD
		A		INITIAL RELEASE	06SEP12	SS	RRP
		A1		ECR-12-017404	05OCT2012	SS	RRP
		A2		REV PER ECR-14-007496	20MAY2014	ML	SZ



PCB AND BUSBAR-CONDUCTORS, IN THESE VIEWS ARE SHOWN FOR REFERENCE ONLY.



- NOTES:
 1 PCB MUST BE SUPPORTED WHILE INSERTING THE CONNECTOR IN THE SLOTS TO AVOID BENDING OF THE BOARD.
 2 PLATING: 1,2µm MIN. NICKEL UNDERLAYER ALLOVER.
 3 3,0µm MIN. TIN IN INDICATED AREA'S.
 4 AREA FOR DATE-CODE.
 5 MATERIAL:
 POWER CONTACT: HIGH CONDUCTIVITY COPPER ALLOY.
 HOUSING: THERMOPLASTIC, BLACK, UL94 V-0.

RECOMMENDED PCB LAY-OUT
 THICKNESS: 4,8mm MAX

THIS DRAWING IS A CONTROLLED DOCUMENT.

DIMENSIONS:	TOLERANCES UNLESS OTHERWISE SPECIFIED:
mm	
0 PLC	±
1 PLC	±0,3
2 PLC	±0,15
3 PLC	±0,050
4 PLC	±
ANGLES	±2°
FINISH	

ITEM NO.	DESCRIPTION	MATERIAL	FINISH	QTY.
4	CONTACT LEFT	COPPER ALLOY		1
3	CONTACT RIGHT	COPPER ALLOY		1
2	CLIP	STAINLESS STEEL		1
1	HOUSING	HIGH TEMP THERMO PLASTIC UL 94 V0	BLACK	1

DWN SUDHAKAR 06SEP12
 CHK SUDHAKAR 06SEP12
 APVD RAJENDRA 06SEP12

STE TE Connectivity

NAME: PLUGGABLE BUSBAR CONNECTOR SOLDER VERSION CROWN CLIP JUNIOR

108-19360
 APPLICATION SPEC
 114-19128

SIZE: A2 CAGE CODE: 00779 DRAWING NO: C-2178411 RESTRICTED TO: -

Customer Drawing SCALE: 2:1 SHEET 1 OF 1 REV: A3