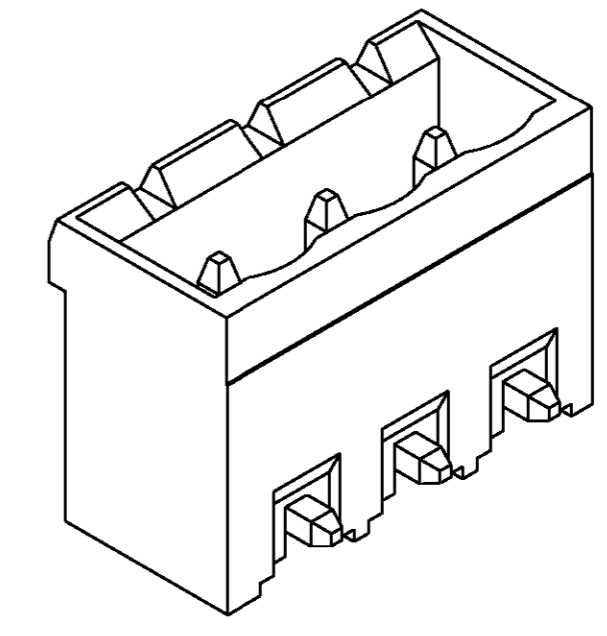
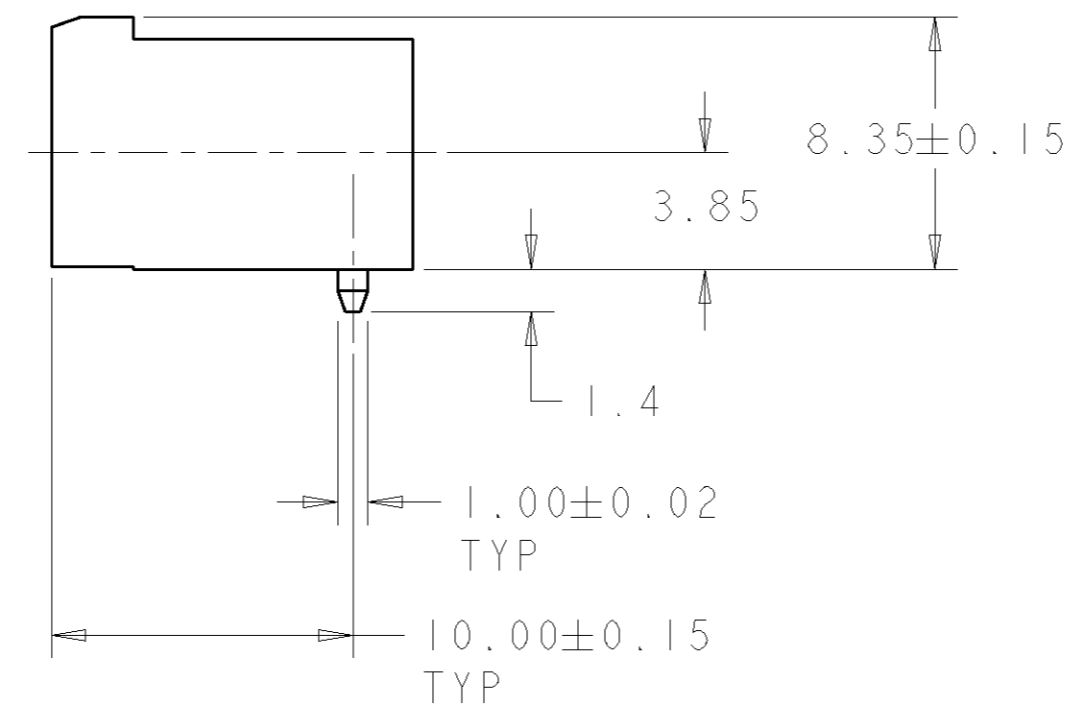
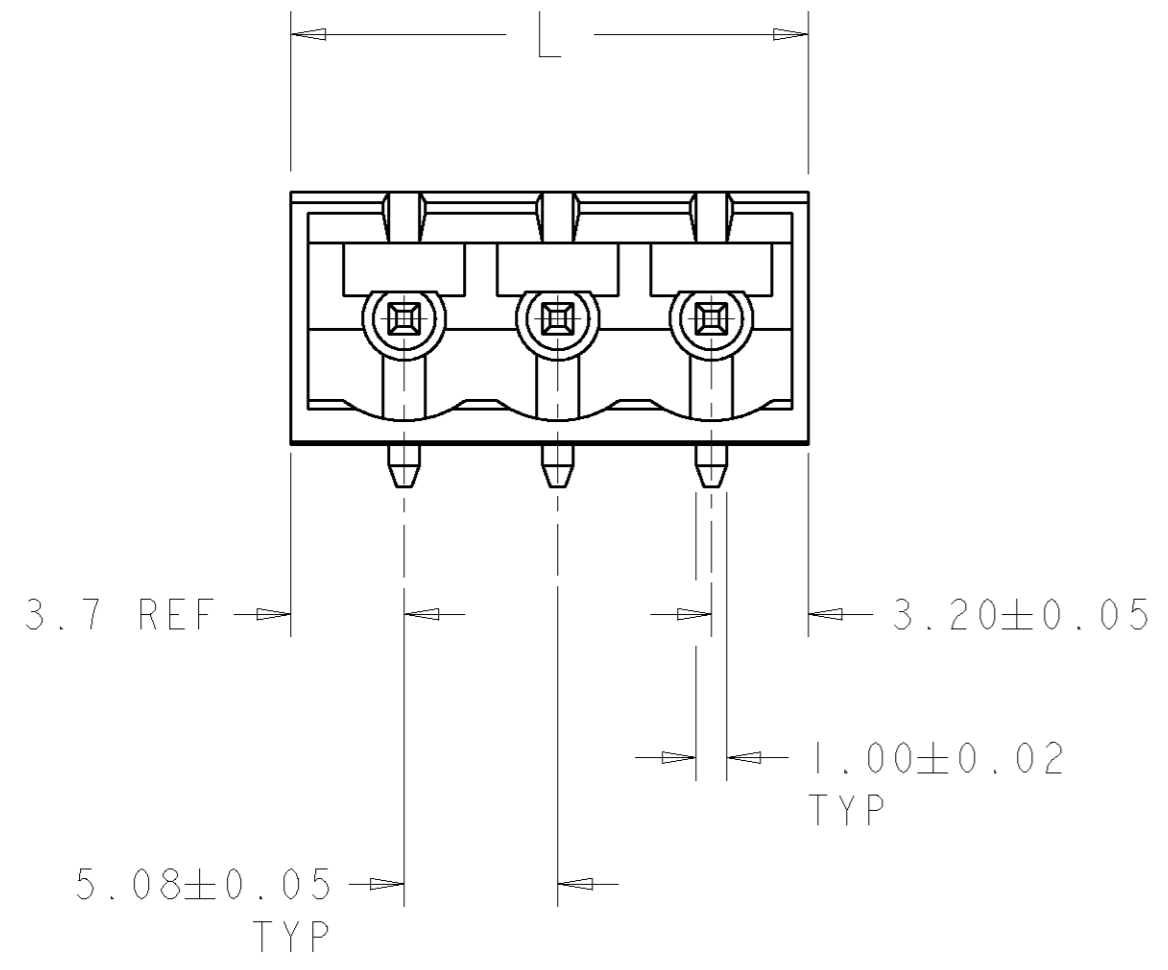
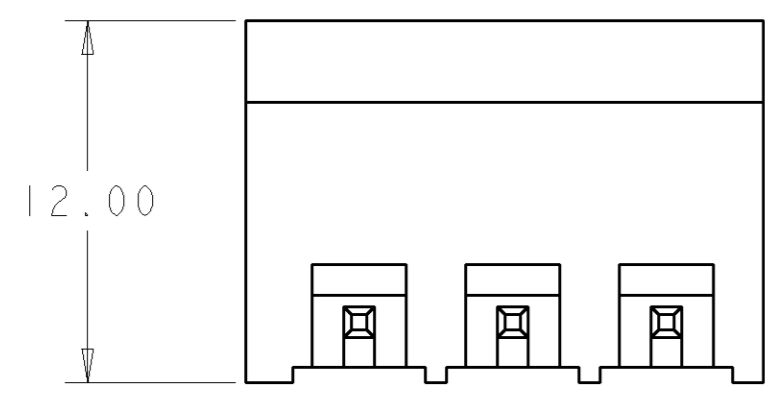


LOC	DIST	REVISIONS			
P	LTR	DESCRIPTION	DATE	DWN	APVD
	O	RELEASED	15MAR2004	SW	CR
	A	REVISED EC 0G3B-0232-04	05APR2004	SW	CR
	B	REVISED EC 0G3B-1018-04	15DEC2004	SW	CR

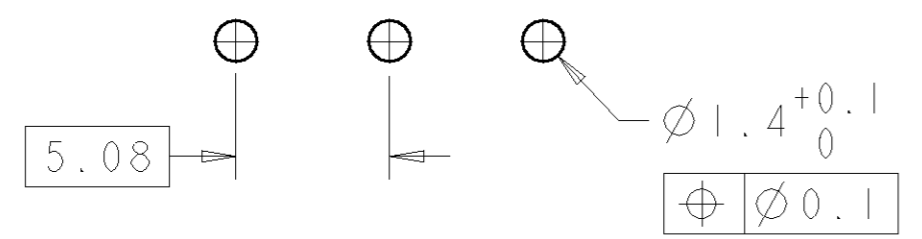


1546365-3 AS SHOWN



1. MATERIALS AND FINISH:
 HOUSING: NYLON OR POLYESTER, HIGH TEMPERATURE COMPATIBLE,
 UL 94-V0, COLOR: BLACK.
 TERMINAL: PHOSPHOR BRONZE, TIN PLATED.
2. RECOGNIZED UNDER THE COMPONENT PROGRAM OF
 UNDERWRITERS LABORATORIES INC. FILE NO E60677.

TAPE WIDTH	PITCH	PCS PER REEL	TYPE	L	NO OF POSN	PART NUMBER
56mm	20mm	250	TAPE AND REEL	37.38	7	1-1546365-7
56mm	20mm	250	TAPE AND REEL	32.30	6	1-1546365-6
56mm	20mm	250	TAPE AND REEL	22.14	4	1-1546365-4
32mm	20mm	250	TAPE AND REEL	17.06	3	1-1546365-3
32mm	20mm	250	TAPE AND REEL	11.98	2	1-1546365-2
-	-	-	STANDARD	37.38	7	1546365-7
-	-	-	STANDARD	32.30	6	1546365-6
-	-	-	STANDARD	22.14	4	1546365-4
-	-	-	STANDARD	17.06	3	1546365-3
-	-	-	STANDARD	11.98	2	1546365-2



RECOMMENDED PC BOARD LAYOUT

THIS DRAWING IS A CONTROLLED DOCUMENT FOR TYCO ELECTRONICS CORPORATION IT IS SUBJECT TO CHANGE AND THE CONTROLLING ENGINEERING ORGANIZATION SHOULD BE CONTACTED FOR THE LATEST REVISION.		DWN S. WELDON 15MAR2004 CHK C. RICHARD 15MAR2004 APVD C. RICHARD 15MAR2004	Tyco Electronics Harrisburg, PA 17105-3608
DIMENSIONS: mm	TOLERANCES UNLESS OTHERWISE SPECIFIED: 0 PLC ± 1 PLC ±0.2 2 PLC ± 3 PLC ± 4 PLC ± ANGLES ± FINISH	NAME PRODUCT SPEC APPLICATION SPEC WEIGHT	AMP TERMINAL BLOCK HEADER ASSEMBLY, 90 DEGREE, CLOSED ENDS, HIGH TEMPERATURE, 5.08mm PITCH
MATERIAL	FINISH	SIZE A2 CAGE CODE 00779 DRAWING NO. 1546365	RESTRICTED TO SCALE 4:1 SHEET 1 OF 1 REV B