

F

E

D

C

B

A

F

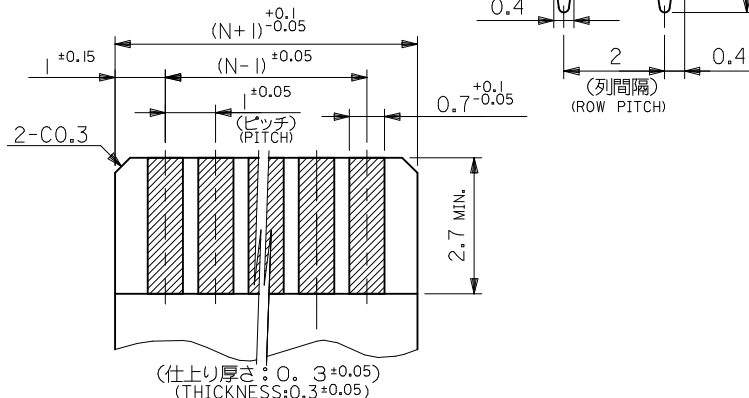
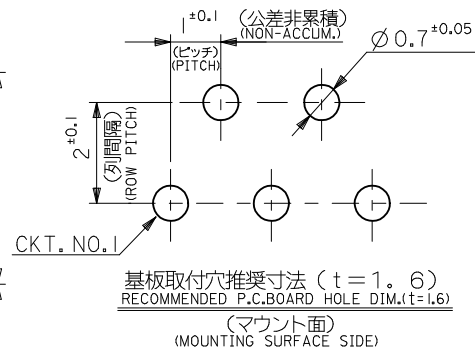
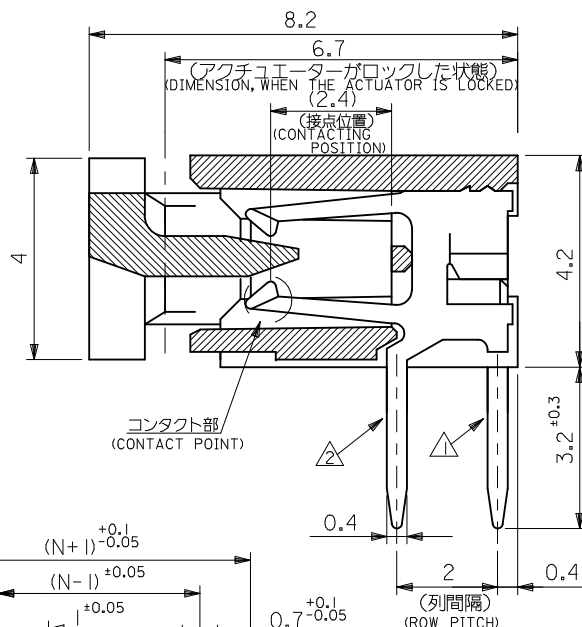
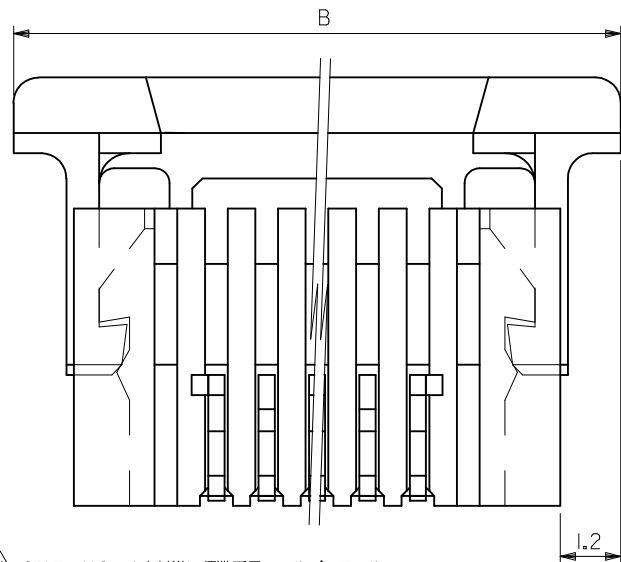
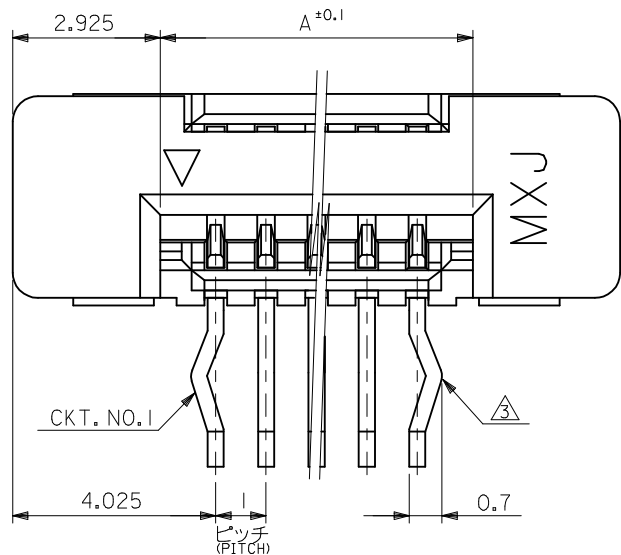
E

D

C

B

A



適合FPC推奨寸法
APPLICABLE FPC RECOMMENDED DIM.

FPCについて:
打抜き方向は導体側から補強板を推奨致します。補強フィルム材質はポリイミドを推奨致します。
接着剤は熱硬化接着剤を推奨致します。
ABOUT FPC:
RECOMMENDED PUNCHER DIRECTION : FROM CONDUCTOR SIDE TO STIFFENER BOARD SIDE.
RECOMMENDED MATERIAL :
STIFFENER FILM : POLYIMIDE
BONDING AGENT :
THERMOSETTING BONDING AGENT

注記:
NOTES:

- ① CKT. NO. 1を基準に偶数番目のソルダータール。
EVEN NUMBER SOLDER TAIL.
- ② CKT. NO. 1を基準に奇数番目のソルダータール。
ODD NUMBER SOLDER TAIL.
- ③ ソルダータールキップは、△のソルダータールの両端部に設ける。
KINK TO BE APPLIED FOR THE BOTH END OF ODD NUMBER SOLDER TAIL
- 4. 材 料: ターミナル: リン青銅、ニッケル下地 鍍ビスマスマメッキ (t=0.32)
MATERIAL: TERMINAL: PHOSPHOR BRONZE, TIN-BISMUTH OVER NICKEL PLATING (t=0.32)
ハウジング: 66ナイロン, UL94V-0
HOUSING: 66NYLON, UL94V-0
アクチュエーター: ポリエステル, UL94V-0
ACTUATOR: POLYESTER, UL94V-0
- 5. 本製品は 52043-**-10 の鉛フリー品である。
THIS PRODUCT IS LEAD FREE OF 52043-**-10.

27.05	21.2	52043-2019	20
25.05	19.2	52043-1819	18
23.05	17.2	52043-1619	16
17.05	11.2	52043-1019	10
16.05	10.2	52043-0919	9
13.05	7.2	52043-0619	6
11.05	5.2	52043-0419	4
B	A	MATERIAL NO.	極数 CKT.

MODEL NO. 52043-**-19

REVISED EC NO: J2016-1317 DRWN: YSHIBATA CHKD: Y0110 APPR: Y0110	GENERAL TOLERANCES (UNLESS SPECIFIED)		DIMENSION STYLE MM ONLY		SCALE 10:1	DESIGN UNITS METRIC	THIRD ANGLE PROJECTION
	0.25 UNDER	UNDER	±0.03	DRAWN BY YWADA	DATE 2004/05/19	TITLE 1.0 FPC CONN. Z.I.F R/A	
	0.25 OVER	0.5 UNDER	±0.05	CHECKED BY MSASAO	DATE 2004/05/19	-LEAD FREE- molex	
	0.5 OVER	1.0 UNDER	±0.1	APPROVED BY	DATE	MATERIAL NO. SEE TABLE	DOCUMENT NO. SD-52043-002
1.0 OVER	10 UNDER	±0.2	MATERIAL NO. SEE TABLE		THIS DRAWING CONTAINS INFORMATION THAT IS PROPRIETARY TO MOLEX ELECTRONIC TECHNOLOGIES, LLC AND SHOULD NOT BE USED WITHOUT WRITTEN PERMISSION		
10 OVER	30 UNDER	±0.25	MATERIAL NO. SEE TABLE		THIS DRAWING CONTAINS INFORMATION THAT IS PROPRIETARY TO MOLEX ELECTRONIC TECHNOLOGIES, LLC AND SHOULD NOT BE USED WITHOUT WRITTEN PERMISSION		
30 OVER		±0.3	MATERIAL NO. SEE TABLE		THIS DRAWING CONTAINS INFORMATION THAT IS PROPRIETARY TO MOLEX ELECTRONIC TECHNOLOGIES, LLC AND SHOULD NOT BE USED WITHOUT WRITTEN PERMISSION		
ANGULAR	±3 °		MATERIAL NO. SEE TABLE		THIS DRAWING CONTAINS INFORMATION THAT IS PROPRIETARY TO MOLEX ELECTRONIC TECHNOLOGIES, LLC AND SHOULD NOT BE USED WITHOUT WRITTEN PERMISSION		
DRAFT WHERE APPLICABLE MUST REMAIN WITHIN DIMENSIONS		SIZE A3		THIS DRAWING CONTAINS INFORMATION THAT IS PROPRIETARY TO MOLEX ELECTRONIC TECHNOLOGIES, LLC AND SHOULD NOT BE USED WITHOUT WRITTEN PERMISSION			