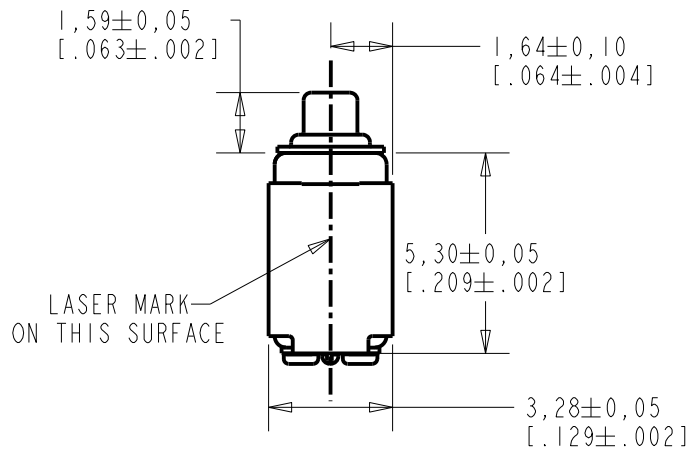
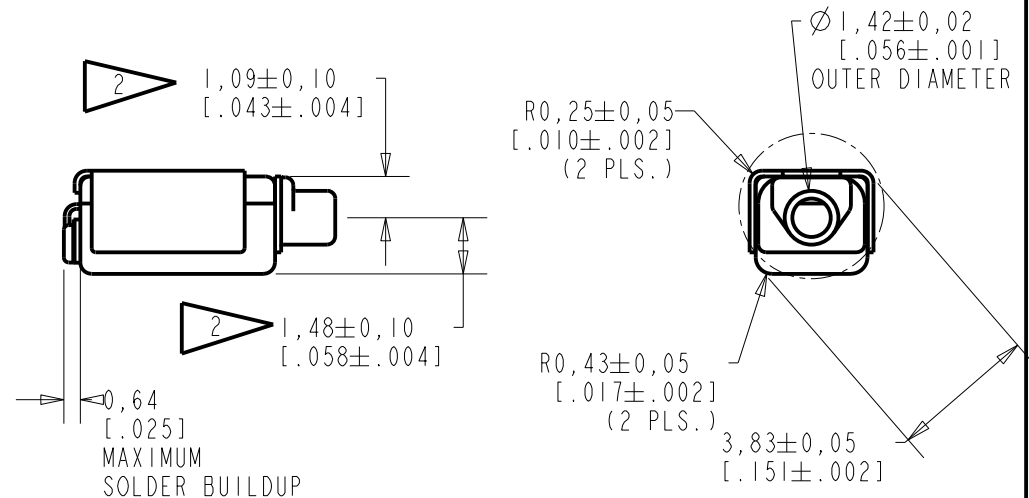
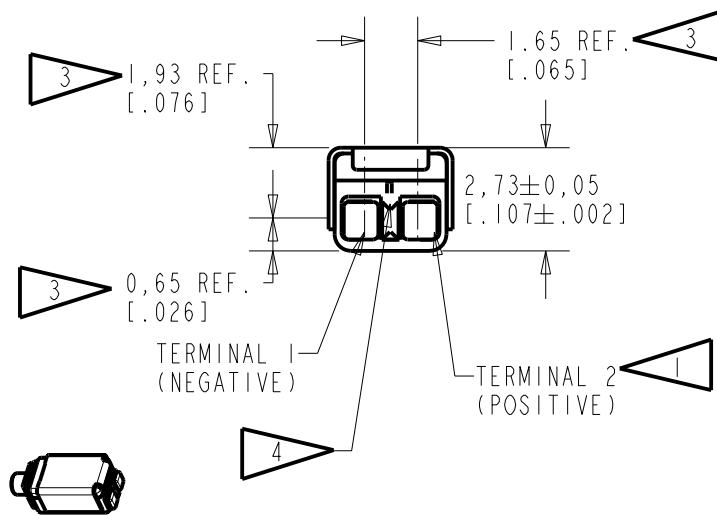


RAB-32066-000

SHT 1.1



- NOTE:
- 1 A POSITIVE GOING VOLTAGE AT TERMINAL 2, RELATIVE TO TERMINAL 1, CAUSES AN INCREASE IN PRESSURE AT THE SOUND OUTLET.
 - 2 LOCATED FROM TWO SURFACES FOR CUSTOMER CONVENIENCE. ONLY APPLICABLE FROM ONE SURFACE, NOT TO BE USED TOGETHER.
 - 3 DIMENSION TO APPROXIMATE CENTER OF TERMINAL PAD.
 - 4 TERMINAL ELECTRICALLY CONNECTED TO CASE.



| Revision | C.O. # | Implementation Date | RELEASE LEVEL | REVISION |
|----------|------------|---------------------|---------------|----------|
| C | CI0116723P | 5-05-15 | Active | C |
| B | CI0116018 | 6-23-14 | | |
| A | CI0115511P | 3-25-14 | | |

| | | | |
|------------------------|--|---------|---------|
| SCALE: 5:1 | | DR. BY | DATE |
| DO NOT SCALE DRAWING | | LW | 3-25-14 |
| TITLE: RECEIVER | | CK. BY | DATE |
| RAB-32066-000 | | GJP | 4-2-14 |
| SHT 1.1 | | APP. BY | DATE |
| | | GJP | 4-2-14 |

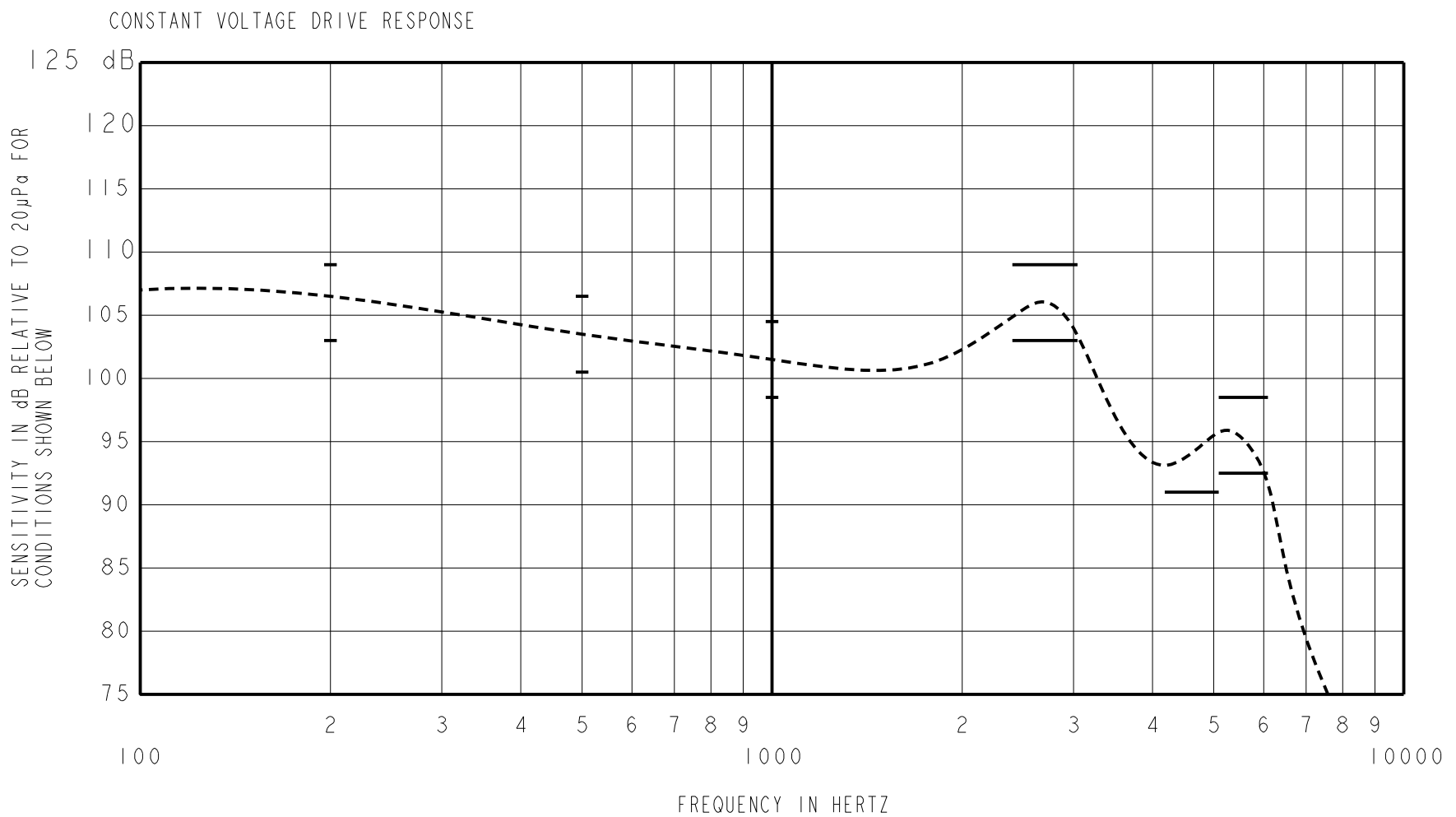
KNOWLES ELECTRONICS
ITASCA, ILLINOIS U.S.A.

THIS IS AN UNDAMPED MAGNETIC BALANCED ARMATURE RECEIVER WITH 3- SIDED MAGNETIC SHIELD ADDED INTENDED FOR USE IN HEARING INSTRUMENTS.

NO DAMPING

RAB-32066-000

SHEET 2.1



ACOUSTICAL

SENSITIVITY
 DEVICE WILL PRODUCE THE SPL LISTED BELOW WITH THE TEST CONDITIONS DESCRIBED IN TABLE 3. NOMINAL SENSITIVITY AT 1 kHz IS dB RELATIVE TO 20µPa. ALL OTHER VALUES IN dB RELATIVE TO THE SENSITIVITY AT 1 kHz.

| LIMIT TYPE | FREQUENCY (Hz) | MINIMUM | NOMINAL | MAXIMUM |
|------------|----------------|---------|---------|---------|
| REL | 200 | +1.5 | +4.5 | +7.5 |
| REL | 500 | -1.0 | +2.0 | +5.0 |
| REF | 1000 | -3.0 | 101.5 | +3.0 |
| PEAK 1 | 2450-3050 | +1.5 | +4.5 | +7.5 |
| VALLEY | 4200-5200 | -10.5 | --- | --- |
| PEAK 2 | 5100-6100 | -9.0 | -6.0 | -3.0 |

TABLE 1.

TOTAL HARMONIC DISTORTION
 DEVICE WILL NOT EXCEED TOTAL HARMONIC DISTORTION LEVELS LISTED BELOW.

| FREQUENCY (Hz) | DRIVE (Vrms) | LIMIT (%) |
|-----------------------|--------------|-----------|
| 1/3 PEAK1 (TYP. 917) | 0.180 | 5 |
| 1/2 PEAK1 (TYP. 1375) | 0.180 | 5 |

TABLE 2.

TEST CONDITIONS

| | |
|------------------------|--|
| NOMINAL SOURCE VOLTAGE | 0.115 Vrms, |
| SOURCE IMPEDANCE | < 1 Ω |
| TUBING | 10 mm (.394) LONG, 1 mm (.039) ID. |
| COUPLER CAVITY | 2CC SIMULATED ANSI S3.7 TYPE HA-3, (IEC 60318-5) |

TABLE 3.

ELECTRICAL

| | |
|---------------------|-----------------|
| DC RESISTANCE | 65.0 Ω ±10% |
| IMPEDANCE @ 500 Hz | 90.0 Ω ±20% |
| IMPEDANCE @ 1 kHz | 135.0 Ω ±15% |
| INDUCTANCE @ 500 Hz | 19.8 mH TYPICAL |

TABLE 4.

ISOLATION: THE CASE WILL BE ELECTRICALLY ISOLATED FROM THE COIL CIRCUIT

MECHANICAL

PORT LOCATION: 12S

SOLDER TYPE: ROHS COMPLIANT
 SAC305

TEMPERATURE

OPERATING: SENSITIVITY WILL NOT VARY MORE THAN
 +1/-3 dB FROM 0°C TO 63°C
 STORAGE: -40°C TO 63°C

KNOWLES ELECTRONICS
 ITASCA, ILLINOIS U.S.A.

| Revision | C.O. # | Implementation Date | RELEASE LEVEL | REVISION |
|--|------------|---------------------|--|----------|
| C | C10116723P | 5-05-15 | Active | C |
| B | C10116018 | 6-23-14 | | |
| A | C10115511P | 3-25-14 | | |
| WHEN TEST LIMITS ARE USED TO ESTABLISH INCOMING INSPECTION ACCEPTANCE/REJECTION CRITERIA, CORRELATION OF TEST EQUIPMENT WITH KNOWLES IS ALSO REQUIRED FOR ELIMINATION OF EQUIPMENT AND TEST METHOD VARIATION | | | DR. BY | DATE |
| TITLE: RECEIVER PERFORMANCE SPECIFICATION | | | LW | 3-25-14 |
| | | | RAB-32066-000 SHT 2.1 | |
| | | | CK. BY | DATE |
| | | | GJP | 4-2-14 |
| | | | APP. BY | DATE |
| | | | GJP | 4-2-14 |