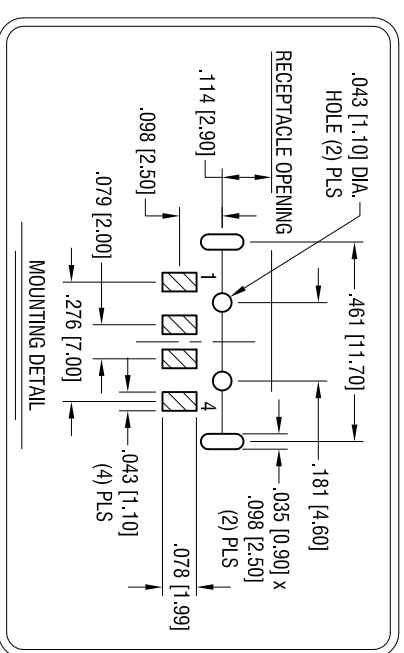
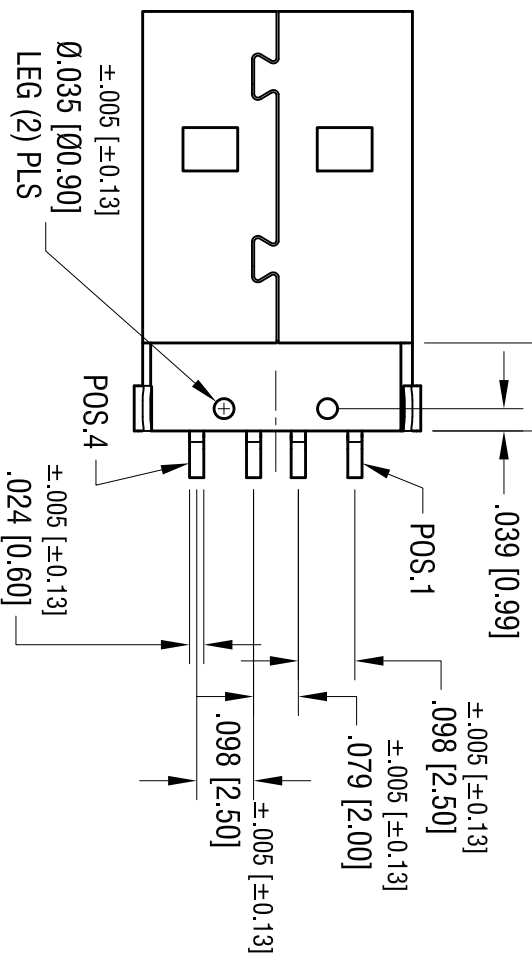
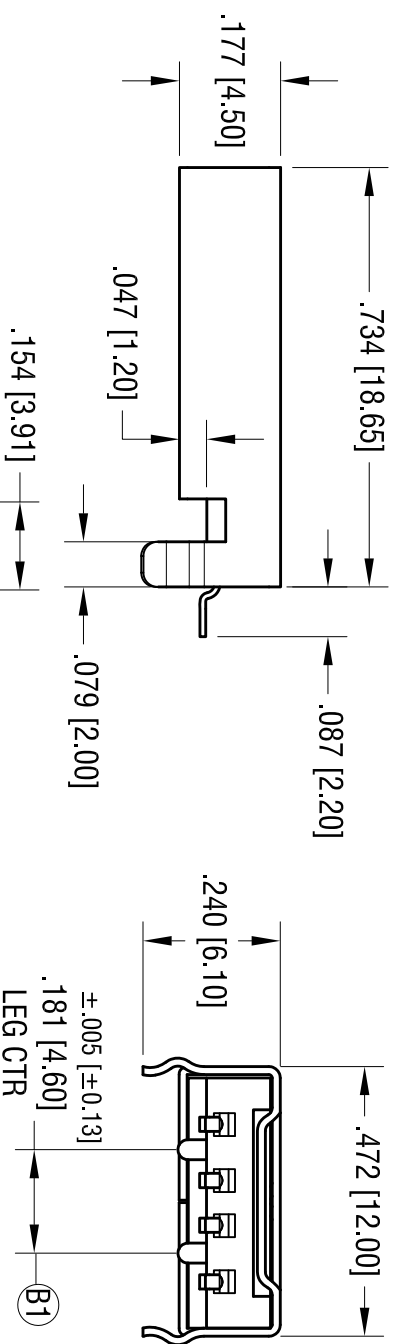


DATE	DESCRIPTION	REV.
12.21.09	CHANGE AS PER ECN 09-192	A
12.05.14	CHANGE AS PER ECN 14-119 B WAS 4.50mm	B



Notes:

Material:

Shell: Steel, Nickel Plate.

Insulator: Glass Filled LCP

Contacts: Phosphor Bronze

Finish:

Contact Area: Gold Plate over Nickel Plate

on Solder Tail: Tin Plate over Nickel Plate

Electrical Specifications

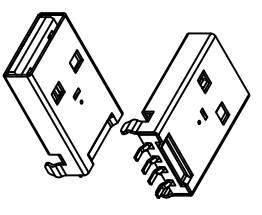
Rated Voltage: 30V AC (rms)

Contact Current Rating: 1 A max.

Contact Resistance: 30 milliohms Max.

Dielectric Withstanding: 500V AC

Operating Temperature: -20°C to 85°C



ACTUAL SIZE

THIS DOCUMENT IS THE PROPERTY OF KEYSTONE ELECTRONICS CORP. AND SHALL NOT BE REPRODUCED, DISTRIBUTED OR USED AS A BASIS FOR MANUFACTURE WITHOUT PRIOR WRITTEN PERMISSION FROM KEYSTONE ELECTRONICS CORP.

KEYSTONE ELECTRONICS CORP.

www.keystone.com • ASTORIA, N.Y. 11105-2017 • Tel (718) 956-8900

PART NAME
USB A-TYPE HORIZONTAL SMT PLUG

MATERIAL
AS NOTED

FINISH
AS NOTED

TOLERANCES INCH [MM]
DECIMAL ± .010 [± 0.25]
ANGULAR ± 1°

UNLESS OTHERWISE SPECIFIED

DRN BY: BOONE
DATE: 6.13.06

APP'D: LN
SCALE: 3X

CODE: C
DWG NO.: 931