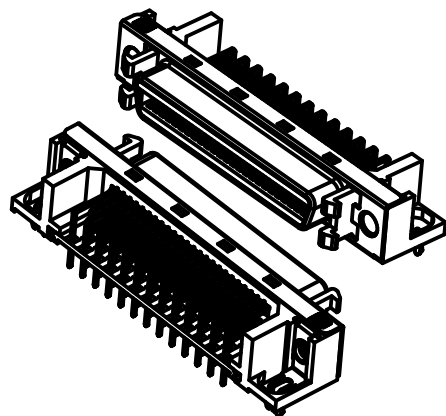


PCB layout: component side



According to IEC 61076-3-100

1)see TB 60 11 050 5740 folio 2/2 for reel packaging.

	All Dimensions in mm Original Size DIN A 3			Techn. Character.		Free size tolerances		
				Dat.	Name	Scale 2:1	<i>har.mik</i> [®] I/O bellow 50P Har.mik female SMC with angled solder pins, boardLocks, fixed latches	
				Detail.	29-OCT-09			J.Sheng
				Insp.				
			Stand.					
EC01456	13-Apr-10	J.Sheng	Zhuhai Harting Limited			TB 60 11 050 5740		
31770	29-OCT-09	J.Sheng						
Mod.	Dat.	Name					Page 1/2	