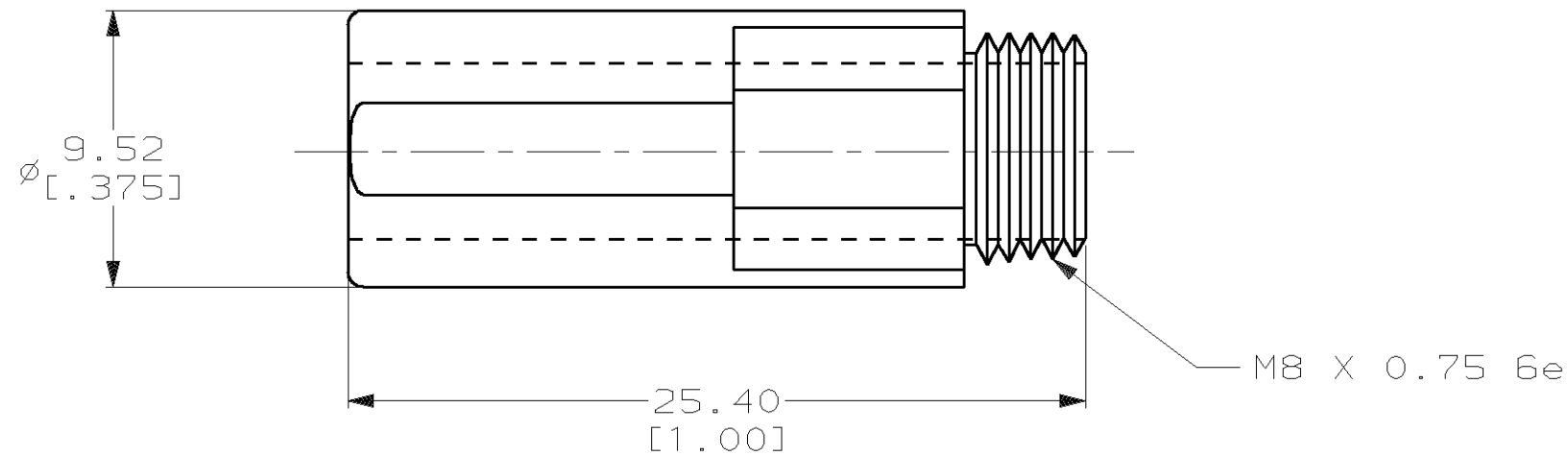
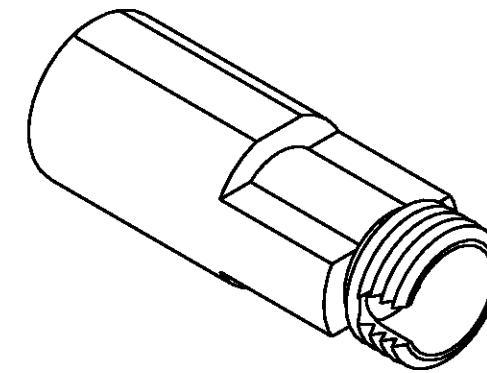


THIS DRAWING IS UNPUBLISHED. RELEASED FOR PUBLICATION, 19
 © COPYRIGHT 19 BY AMP INCORPORATED. ALL INTERNATIONAL RIGHTS RESERVED.

LOC	DIST	P	F	REVISIONS			
ZONE	LTR	DESCRIPTION	DATE	APPD			
CE	00			A	REVISE PER 0A00-0601-04	08FEB05	KG/DK

1. TO PROTECT FIBER DURING CURING.
2. FITS OPTIMATE 2.0 AND 2.5mm THREADED CONNECTORS.



6	502862-2
1	502862-1
QUANTITY	PART NUMBER

DO NOT SCALE PRINT. UNLESS SPECIFIED DIMENSIONS IN mm [INCHES] TOLERANCES ON: 2 PLC DEC ± 0.25 [.01] 3 PLC DEC ± 0.12 [.005] ANGLES ± -		DR 7-19-91 T.ALEXANDER	AMP INCORPORATED Harrisburg, Pa. 17105		
MATERIAL THERMOPLASTIC	CHK 7-31-91 B.BRIGGS	APPD 8-1-91 N.MILLER			NAME COVER, THREADED CONNECTORS
FINISH -	APPD 8-6-91 K.MONROE	PRODUCT SPEC -	SIZE B	FSCM NO 00779	DRAWING NO 502862
	APPLICATION SPEC -	WEIGHT -	SCALE 4:1	SHEET 1 OF 1	