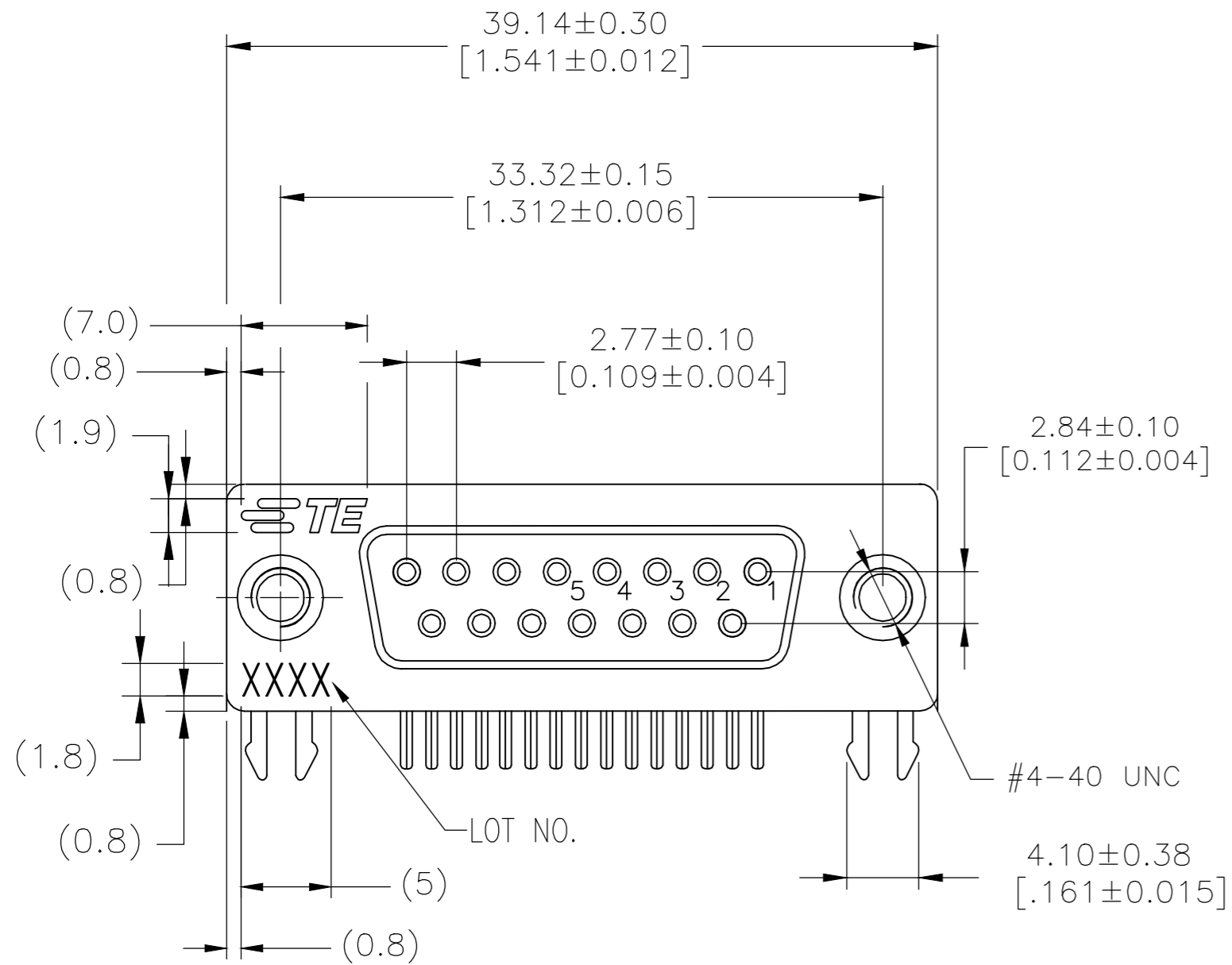
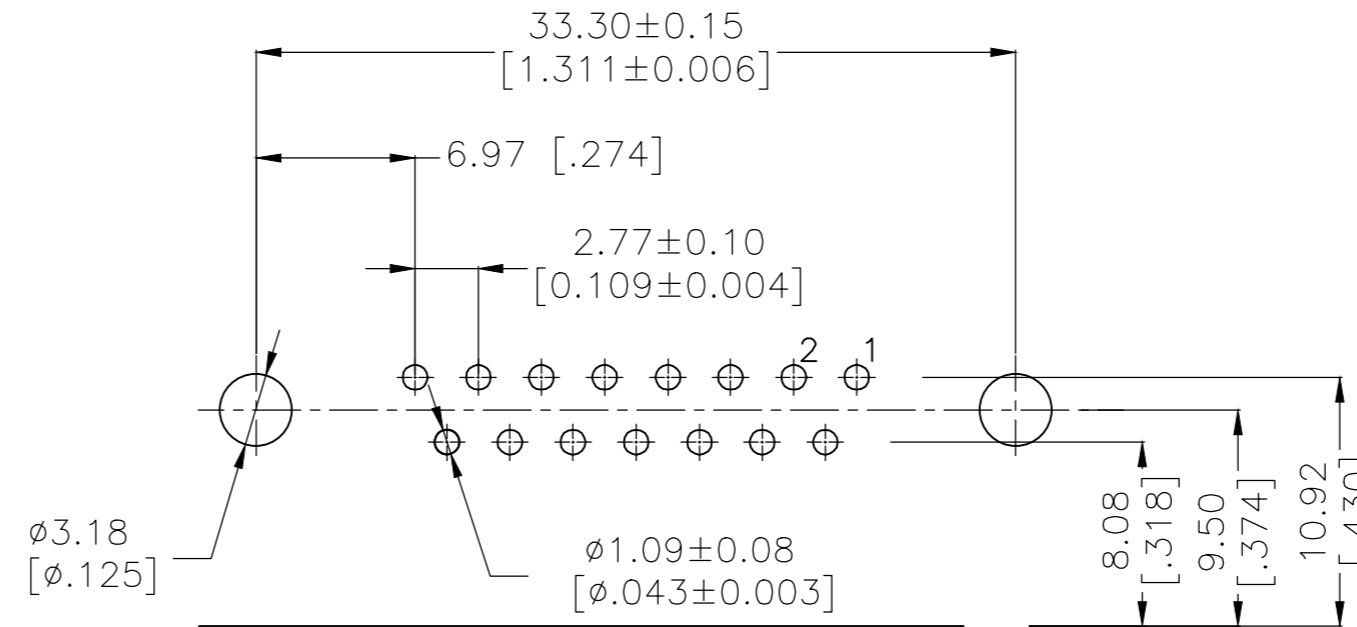


THIS DRAWING IS UNPUBLISHED. RELEASED FOR PUBLICATION  
 © COPYRIGHT - TE Connectivity ALL RIGHTS RESERVED.

REVISIONS				
P	LTR	DESCRIPTION	DATE	APVD
C		REVISED PER ECO-18-008015	24MAY2018	AP DG



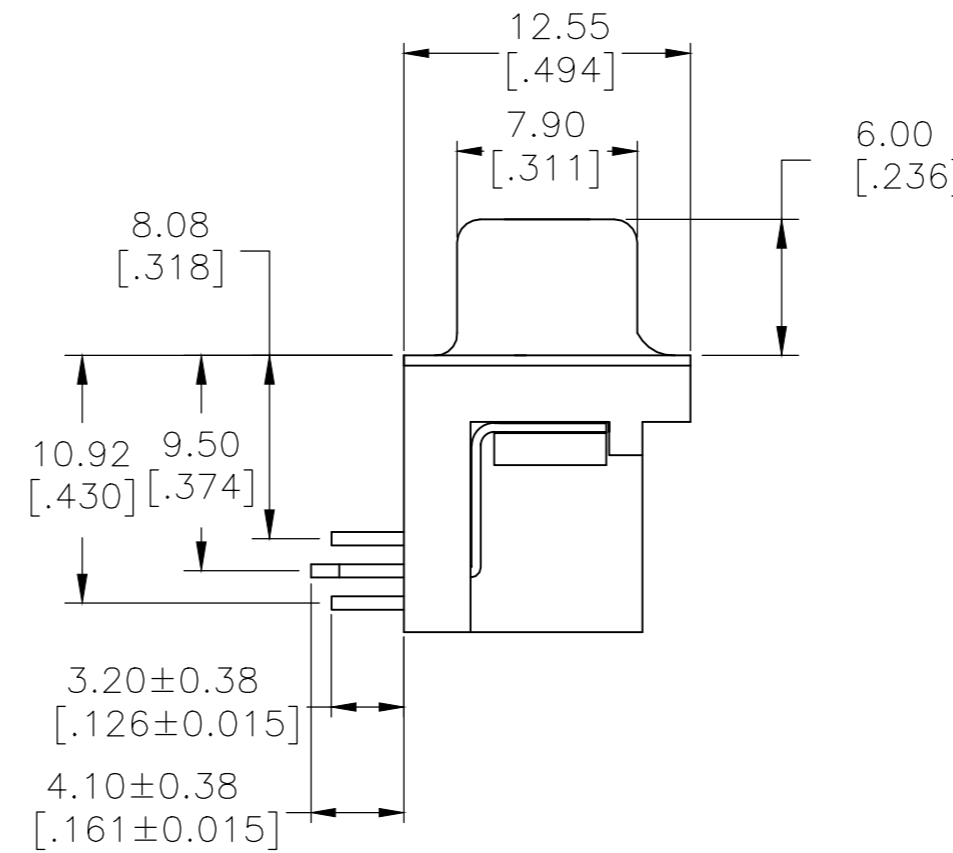
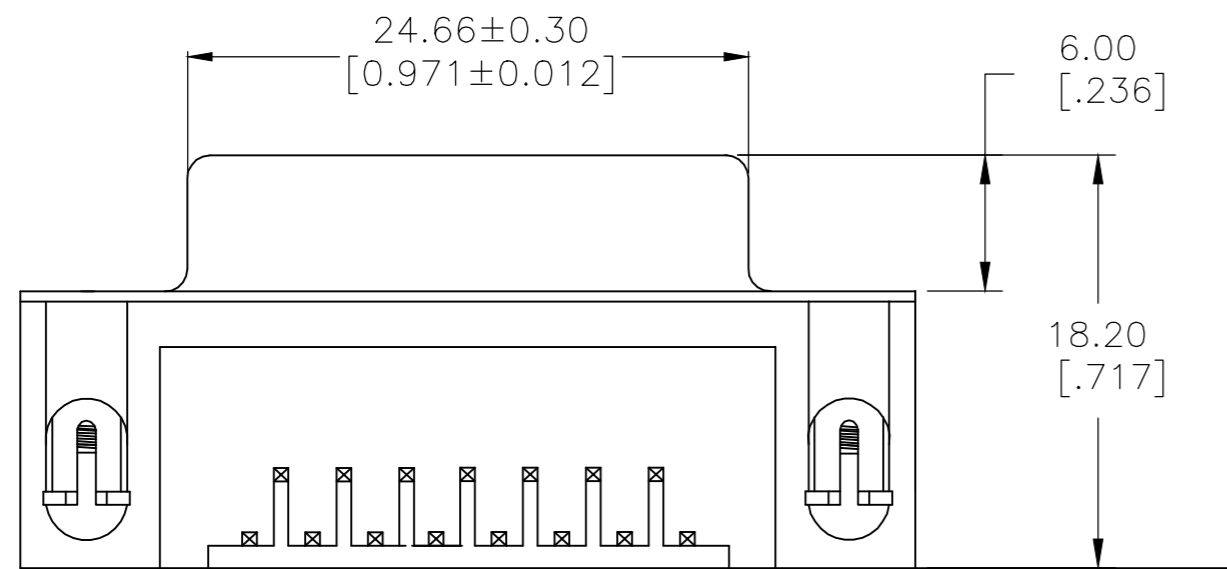
RECOMMENDED PCB LAYOUT  
 TOLERANCE IS ±0.05



NOTES:

HOUSING: PBT+GF(UL94V-0) BLACK  
 CONTACT: PHOSPHOR BRONZE  
 " GOLD PLATING ON CONTACT AREA  
 100u" MATTE TIN PLATING ON SOLDER TAIL  
 50u" NICKEL UNDERPLATED OVERALL  
 HOLDDOWN: BRASS, 100u" TIN OVER 50u" NICKEL  
 SHELL: SPCC, 50u" NICKEL PLATED  
 RIVET: BRASS, 50u" NICKEL PLATED

LOT NUMBER "XXXX"  
 └── STANDS FOR CALENDAR YEAR  
 └── STANDS FOR WEEK NUMBER



YES	Au Flash	2311767-1
SCREWLOCK	Contact Area Plating	P/N

THIS DRAWING IS A CONTROLLED DOCUMENT.		DWN AJITH PAI 22FEB2017	TE Connectivity	
DIMENSIONS: mm [INCHES]		CHK DANIEL GORENC 22FEB2017	NAME AMPLIMITE RECEPTACLE, HD22, RIGHT ANGLE, 15P	
TOLERANCES UNLESS OTHERWISE SPECIFIED:		APVD DANIEL GORENC 22FEB2017	PRODUCT SPEC 108-130023	
0 PLC ± -		APPLICATION SPEC		
1 PLC ± -		SIZE A2		
2 PLC ± 0.25		CAGE CODE 00779		
3 PLC ± -		DRAWING NO C=2311767		
4 PLC ± -		RESTRICTED TO		
ANGLES ± -		SCALE 3:1		
FINISH		SHEET 1 of 1		
MATERIAL		REV C		
WEIGHT		CUSTOMER DRAWING		