

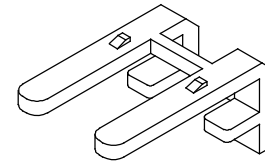
TOP VIEW

R.010 [R0.25] MAX. TYP. .665 [16.89] MIN.

.525 [13.34] MIN.

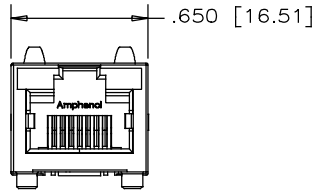
RECOMMENDED PANEL CUTOUT

REVISIONS				
SYM	ZONE	ECN, ERN NO.	DATE	APPRD.
A		PROPOSAL	JAN 26.10	L.C
B		CORRECT DIMENSION	JAN 19.16	L.CHAN

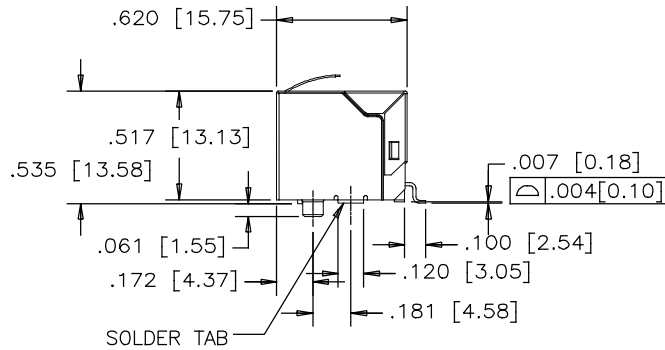


LIGHT PIPE: RJSSE-2485-01

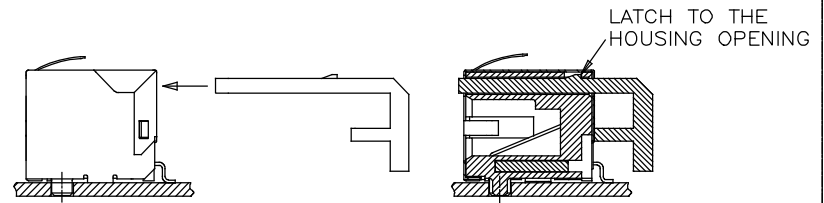
RJSSE-2485-01 MUST BE ORDERED SEPARATELY
RJSSE-2485-01 MUST BE PACKED SEPARATELY



FRONT VIEW



SIDE VIEW

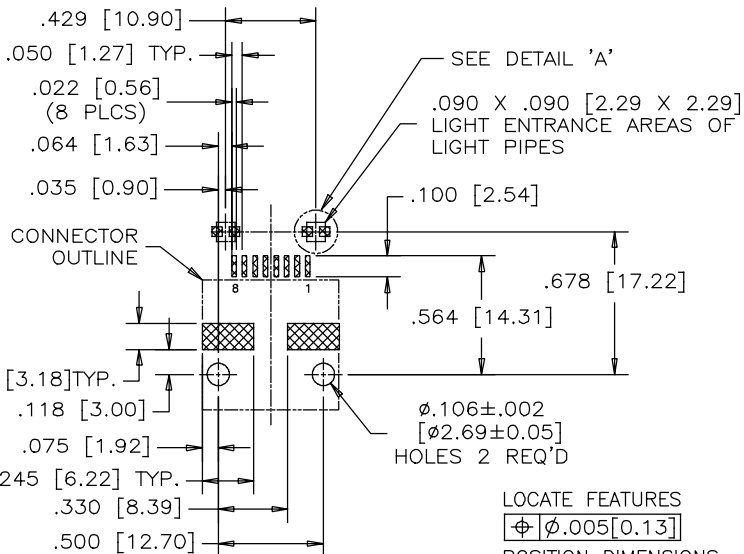


AFTER SOLDER REFLOW, LOAD LIGHT PIPE THROUGH THE CONNECTOR REAR ACCESS IN THE DIRECTION AS SHOWN

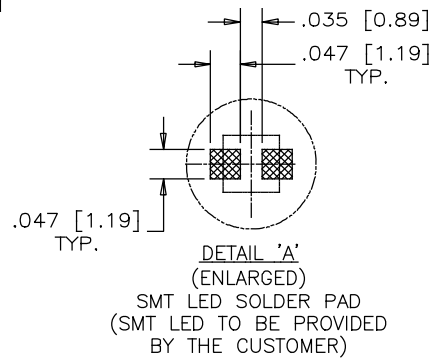
MATERIALS:
PLASTIC HOUSING: ENGINEERING THERMOPLASTIC
FLAMMABILITY RATING UL 94V-0

CONTACTS: PHOSPHOR BRONZE
PLATING: 20 u" [0.508 MICRONS]
MIN. GOLD ON MATING SURFACES.
50 u" [1.27 MICRONS]
MIN. NICKEL UNDERPLATE.
100 u" [2.54 MICRONS]
MIN. MATTE TIN ON CONTACT TAILS.

SHIELD: COPPER ALLOY
PLATING: NICKEL



RECOMMENDED P.C.B. LAYOUT (COMPONENT SIDE OF BOARD)

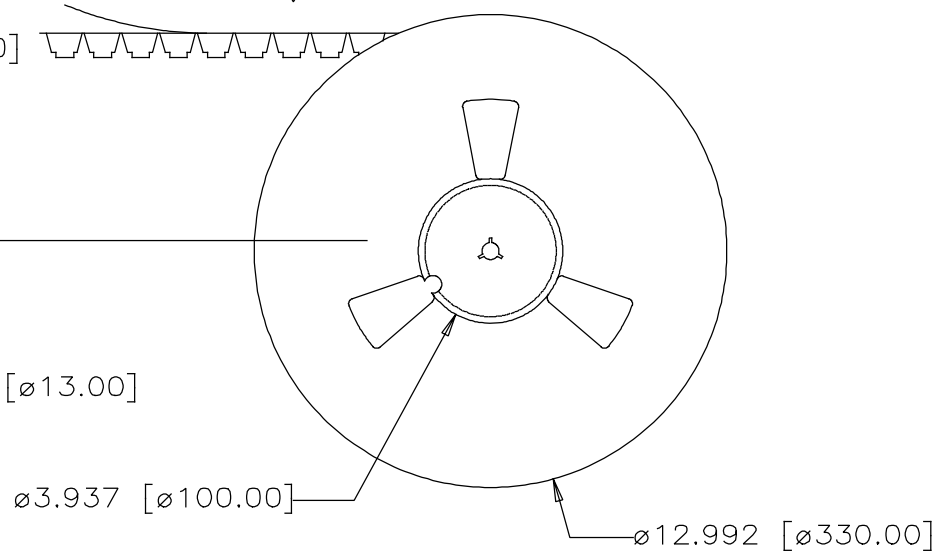
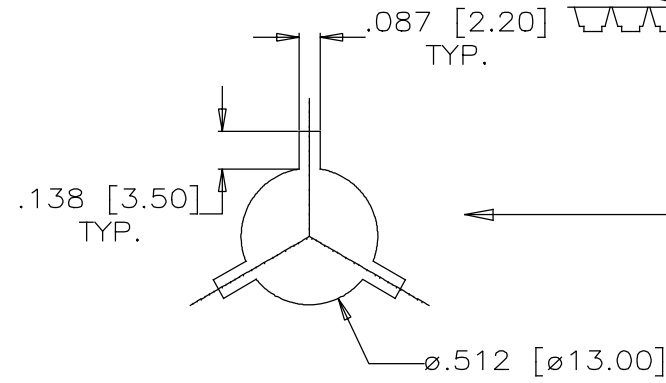
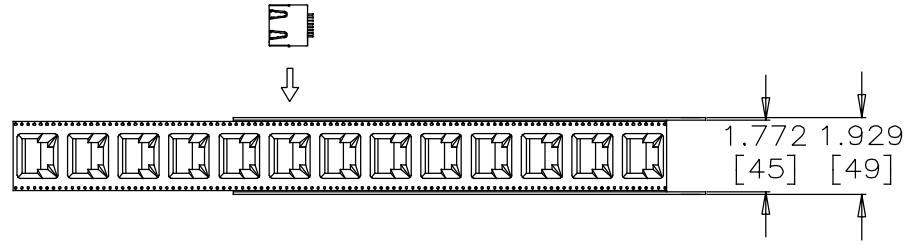
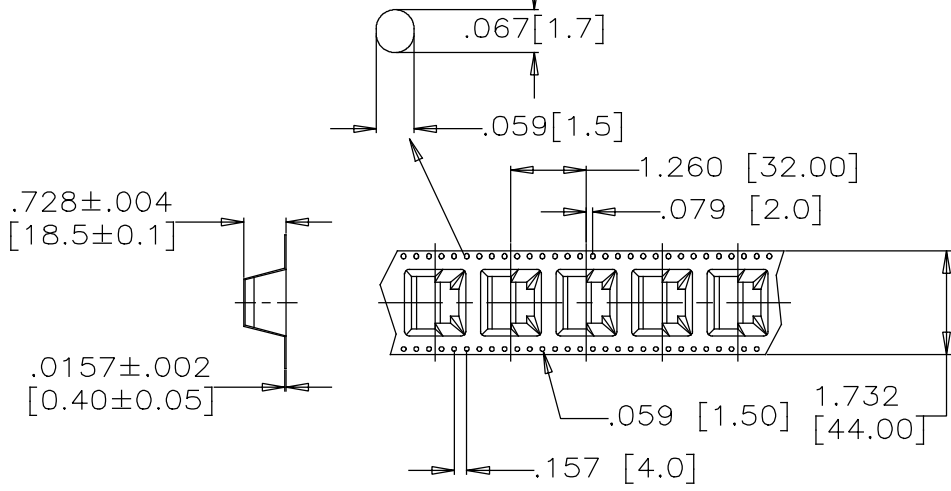


PART NUMBER: RJSSE-5582-01T

THIS DOCUMENT CONTAINS PROPRIETARY INFORMATION AND SUCH INFORMATION MAY NOT BE DISCLOSED TO OTHERS FOR ANY PURPOSE OR USED FOR MANUFACTURING PURPOSES WITHOUT WRITTEN PERMISSION FROM AMPHENOL CANADA CORP.

MATERIAL	DRAWN MT	DATE JAN 26.10	Amphenol Canada Corp.	
DESIGNED MT	JAN 26.10	JAN 26.10		
CHECKED L.C	JAN 26.10	JAN 26.10	TITLE	
I. E. APPRD.			SINGLE PORT, SURFACE MOUNT RJ45	
Q. A. APPRD.			8 POSITION, 8 CONTACTS, SHIELDED	
DWG. APPRD.			WITHOUT LIGHT PIPE, TAPE & REEL PACKAGING	
ENG. REL. NO.			DWG C	DRAWING NO. P-RJSSE-5582-01T
REF.				REV. B
DIMENSIONS ARE IN INCHES [mm]	CODE ID. NO. 03554		SCALE 2:1	WT. _____ SURF. _____ SHEET 1 OF 1

REVISIONS				
SYM	ZONE	ECN, ERN NO.	DATE	APPRD.
A		PROPOSAL	Feb 27.09	L.C
B		CORRECT DIMENSION	JAN 19.16	L.CHAN



PACKAGING NOTES:

- ONE REEL SHOULD HOLD 100 CONNECTORS.
- 10 EMPTY CAVITIES FOR BOTH TOP AND BOTTOM OF THE CARRIER.
- A FULLY LOADED CARTON SHOULD CONTAIN 6 REELS (600 PCS) OF CONNECTOR.

MATERIAL	DRAWN	MT	DATE	JAN 26.10
	DESIGNED	MT	JAN 26.10	
FINISH	CHECKED	L.C	JAN 26.10	
	I. E. APPRD.			
	Q. A. APPRD.			
	DWG. APPRD.			
	ENG. REL. NO.			
	REF.			
	DIMENSIONS ARE IN	INCHES [mm]	CODE ID. NO.	03554

Amphenol Canada Corp.			
TITLE SINGLE PORT, SURFACE MOUNT RJ45 8 POSITION, 8 CONTACTS, SHIELDED WITHOUT LIGHT PIPE, TAPE & REEL PACKAGING			
DWG	DRAWING NO.	P-RJSSE-5582-01T	REV. B
SCALE	WT.	SURF.	SHEET 2 OF 2

THIS DOCUMENT CONTAINS PROPRIETARY INFORMATION AND SUCH INFORMATION MAY NOT BE DISCLOSED TO OTHERS FOR ANY PURPOSE OR USED FOR MANUFACTURING PURPOSES WITHOUT WRITTEN PERMISSION FROM AMPHENOL CANADA CORP.