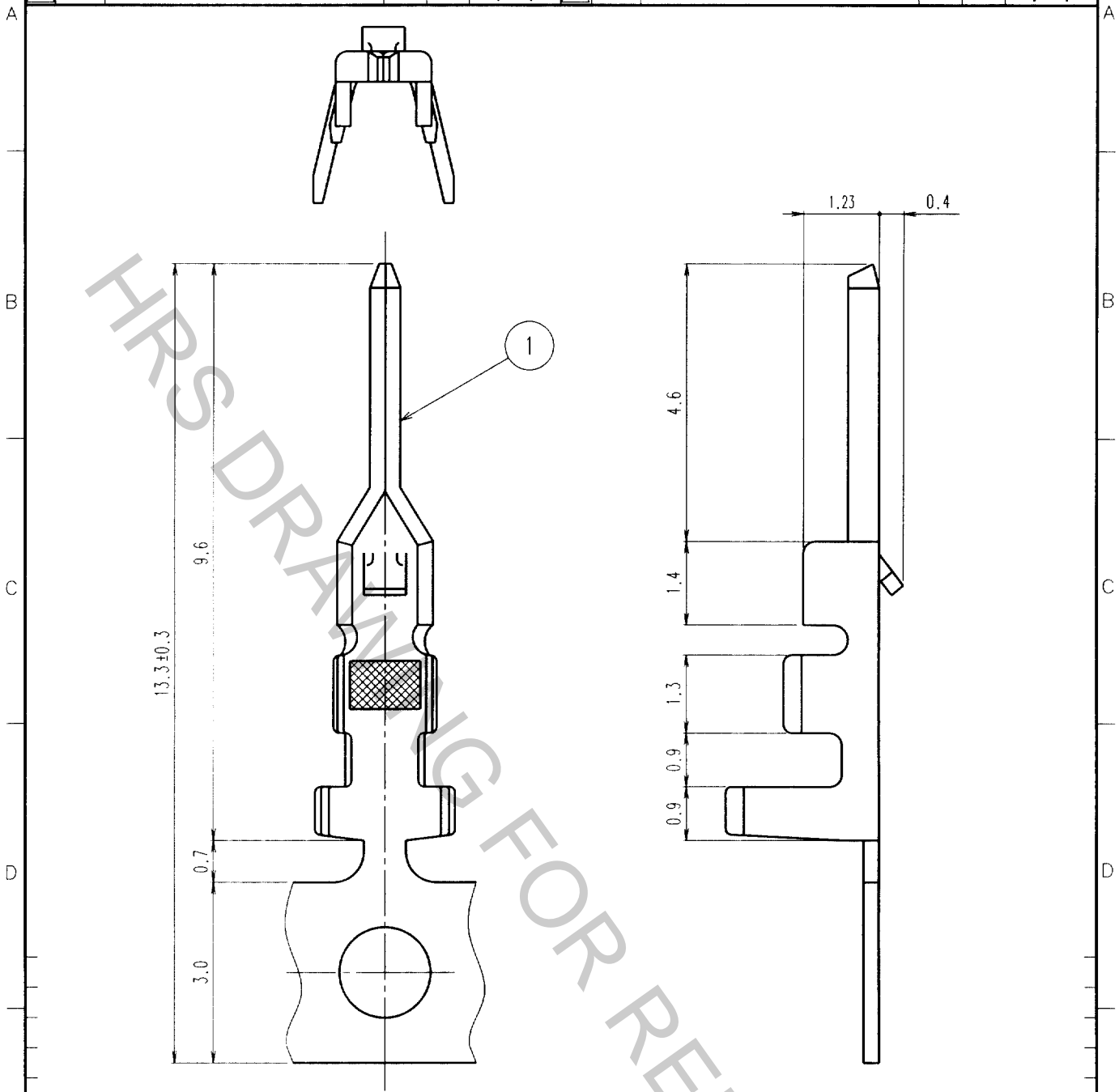


1	2	3	4						
COUNT	DESCRIPTION OF REVISIONS	BY	CHKD	DATE	COUNT	DESCRIPTION OF REVISIONS	BY	CHKD	DATE
△				..	△				..
△				..	△				..
△				..	△				..



NOTES 1. 1 REEL : 10000 CONTACTS.
 2. TOLERANCES TO BE ±0.2 UNLESS OTHERWISE SPECIFIED.

NO.		MATERIAL		FINISH, REMARKS		1		PHOSPHOR BRONZE TIN PLATED	
CODE NO. (OLD)		DRAWN		DESIGNED		CHECKED		APPROVED	
		Y. Inoue		T. Miyazaki		K. Aoyama		K. Katayose	
		'98.10.19		'98.10.19		'98.10.19		'98.10.20	
SCALE		DRAWING NO.		PART NO.		CODE NO.		1/1	
10 : 1		EDC4-020374		DF3-EP2428PCF		CL543-0062-7			
UNITS		HRS HIROSE ELECTRIC CO., LTD.							
mm									

TO