

THIS DRAWING IS UNPUBLISHED. RELEASED FOR PUBLICATION  
 © COPYRIGHT BY TYCO ELECTRONICS CORPORATION. ALL RIGHTS RESERVED.

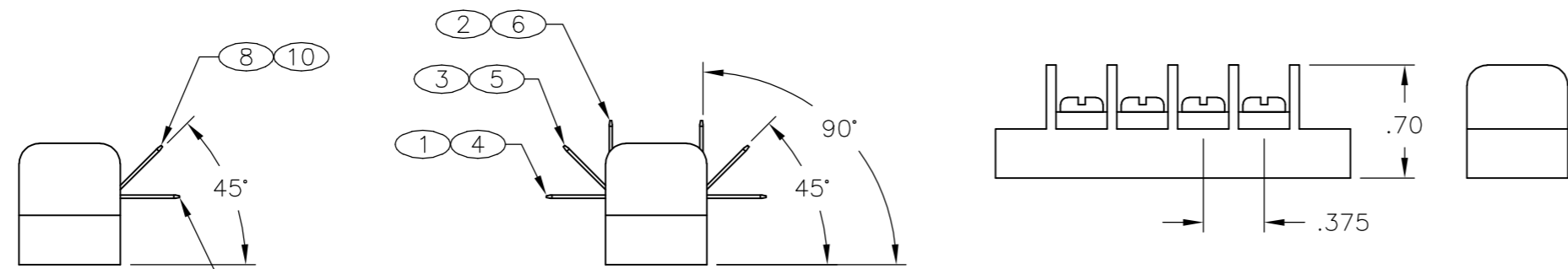
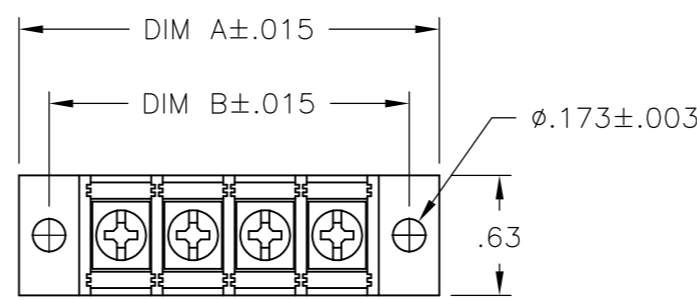
| LOC |   | DIST |     | REVISIONS                 |         |     |      |
|-----|---|------|-----|---------------------------|---------|-----|------|
| FT  | 0 | P    | LTR | DESCRIPTION               | DATE    | DWN | APVD |
|     |   | C    |     | REVISED PER ECO-10-013617 | 26JUL10 | HMR | CR   |

NOTES:  
 MATERIAL:  
 HOUSING: THERMOPLASTIC, UL94V-0, BLACK.  
 TERMINALS: TIN PLATED COPPER ALLOY.  
 QC TABS: TIN PLATED COPPER ALLOY.  
 SCREWS: 6-32, ZINC PLATED STEEL.

ELECTRICAL:  
 UL/CSA  
 CLASS C: 20A, 300V.  
 CLASS D: 5A, 600V.  
 WIRE RANGE: 12-22 AWG

MECHANICAL:  
 RECOMMENDED TORQUE: 7 IN.-LB.  
 OPERATING TEMP.: 105°C MAX

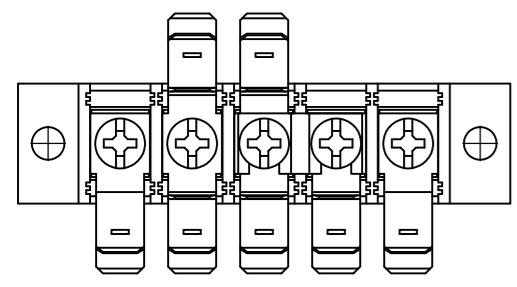
- 1 SCREWS ARE BOTTOMED.
- 2 SCREWS ARE STAINLESS STEEL.
- 3 PRELIMINARY PART NUMBER.
- 4 OBSOLETE PARTS: OBSOLETE CIS STREAMLINING PER D.RENAUD/D.SINISI



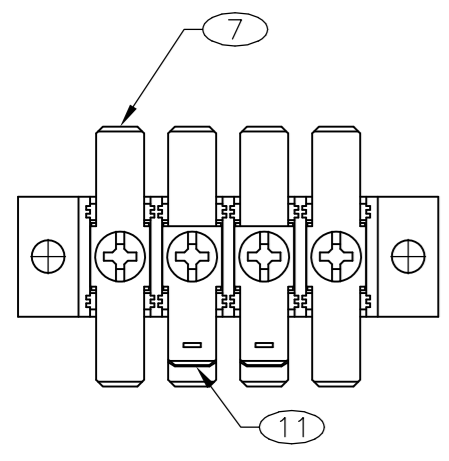
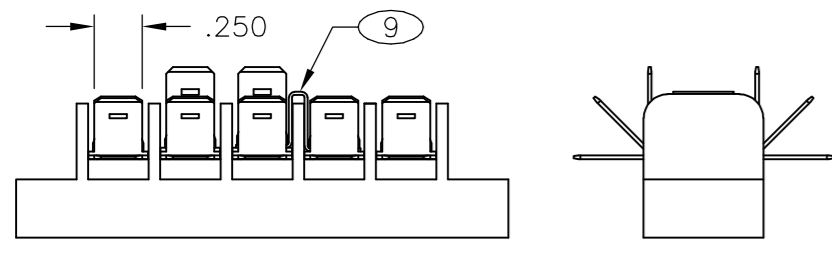
SELECT LOAD CHART

|                  |     |       |       |     |     |     |           |                 |               |
|------------------|-----|-------|-------|-----|-----|-----|-----------|-----------------|---------------|
| 1                | -   | -     | -     | -   | -   | -   | 6         | JC6-C707-05-567 | 3-1546718-9   |
| -                | 3,4 | 1,4,5 | 1,4,5 | 2,3 | 2,3 | 2,3 | 5         | JC6-C707-05-216 | 3-1546718-5   |
| -                | -   | 2,3   | -     | -   | -   | 1-4 | 4         | JC6-C707-04-235 | 3-1546718-6   |
| 10               | 9   | 8     | 7     | 6   | 5   | 4   | NO OF POS | CATALOG NUMBER  | TYCO PART NO. |
| POSITIONS LOADED |     |       |       |     |     |     |           |                 |               |

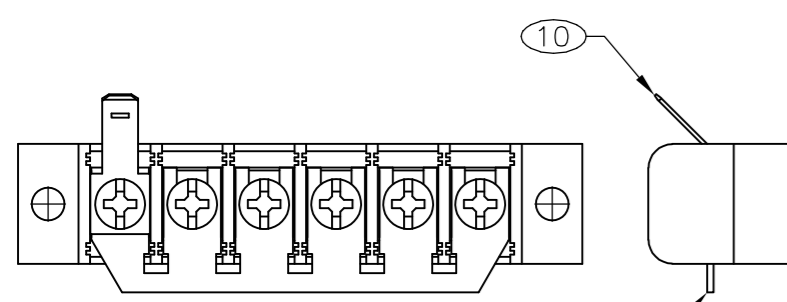
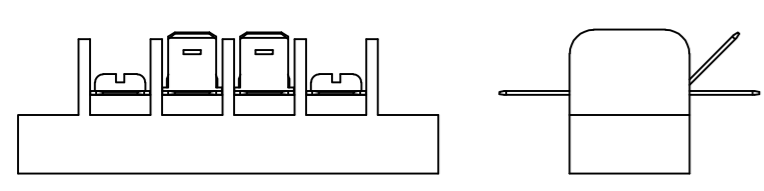
|                |       |       |   |   |   |   |   |    |    |   |   |   |   |    |                 |             |
|----------------|-------|-------|---|---|---|---|---|----|----|---|---|---|---|----|-----------------|-------------|
| OBSOLETE       | 9.320 | 9.000 | - | - | - | - | - | -  | -  | - | - | - | - | 23 | JC6-C707-23     | 2-1546718-3 |
| 4              | 8.945 | 8.625 | - | - | - | - | - | -  | -  | - | - | - | - | 22 | JC6-C707-22     | 2-1546718-2 |
|                | 8.570 | 8.250 | - | - | - | - | - | -  | -  | - | - | - | - | 21 | JC6-C707-21     | 2-1546718-1 |
| 2              | 8.195 | 7.875 | - | - | - | - | - | -  | -  | - | - | - | - | 20 | JC6-C707-20-215 | 3-1546718-4 |
| OBSOLETE       | 8.195 | 7.875 | - | - | - | - | - | -  | -  | - | - | - | - | 20 | JC6-C707-20     | 2-1546718-0 |
|                | 7.820 | 7.500 | - | - | - | - | - | -  | -  | - | - | - | - | 19 | JC6-C707-19     | 1-1546718-9 |
|                | 7.445 | 7.125 | - | - | - | - | - | -  | -  | - | - | - | - | 18 | JC6-C707-18     | 1-1546718-8 |
|                | 7.070 | 6.750 | - | - | - | - | - | -  | -  | - | - | - | - | 17 | JC6-C707-17     | 1-1546718-7 |
|                | 6.695 | 6.375 | - | - | - | - | - | -  | -  | - | - | - | - | 16 | JC6-C707-16     | 1-1546718-6 |
| 2              | 6.320 | 6.000 | - | - | - | - | - | -  | -  | - | - | - | - | 15 | JC6-C707-15     | 1-1546718-5 |
|                | 5.945 | 5.625 | - | - | - | - | - | -  | -  | - | - | - | - | 14 | JC6-C707-14     | 1-1546718-4 |
|                | 5.570 | 5.250 | - | - | - | - | - | -  | -  | - | - | - | - | 13 | JC6-C707-13     | 1-1546718-3 |
|                | 5.195 | 4.875 | - | - | - | - | - | -  | -  | - | - | - | - | 12 | JC6-C707-12     | 1-1546718-2 |
| 3 1            | 4.820 | 4.500 | - | - | - | - | - | -  | 11 | - | - | - | - | 11 | JC6-C707-11-214 | 3-1546718-3 |
| 4              | 4.820 | 4.500 | - | - | - | - | - | -  | -  | - | - | - | - | 11 | JC6-C707-11     | 1-1546718-1 |
|                | 4.445 | 4.125 | - | - | - | - | - | 10 | -  | - | - | - | - | 10 | JC6-C707-10-213 | 3-1546718-2 |
| OBSOLETE       | 4.445 | 4.125 | - | - | - | - | - | -  | -  | - | - | - | - | 10 | JC6-C707-10     | 1-1546718-0 |
| 4              | 4.070 | 3.750 | - | - | - | - | - | -  | -  | - | - | - | - | 9  | JC6-C707-09     | 1-1546718-9 |
|                | 3.695 | 3.375 | - | - | - | - | - | -  | -  | - | - | - | - | 8  | JC6-C707-08     | 1-1546718-8 |
|                | 3.320 | 3.000 | - | - | - | - | - | -  | -  | - | - | - | - | 7  | JC6-C707-07     | 1-1546718-7 |
| SEE FIGURE 3 1 | 2.945 | 2.625 | 1 | 1 | - | - | - | -  | -  | - | - | - | - | 6  | JC6-C707-06-567 | 3-1546718-9 |
| 4              | 2.945 | 2.625 | - | - | - | - | - | -  | -  | - | - | - | - | 6  | JC6-C707-06     | 1-1546718-6 |
| SEE FIGURE 3   | 2.570 | 2.250 | - | - | 1 | 3 | 3 | 2  | 2  | 2 | - | - | - | 5  | JC6-C707-05-216 | 3-1546718-5 |
| 3              | 2.570 | 2.250 | - | - | - | - | - | -  | -  | - | 5 | 5 | - | 5  | JC6-C707-05-212 | 3-1546718-1 |
| 4              | 2.570 | 2.250 | - | - | - | - | - | -  | -  | - | - | - | - | 5  | JC6-C707-05     | 1-1546718-5 |
| 3              | 2.195 | 1.875 | - | 4 | - | - | - | -  | -  | - | - | - | - | 4  | JC6-C707-04-255 | 3-1546718-8 |
| 1 3            | 2.195 | 1.875 | - | - | - | 2 | - | -  | 4  | - | - | - | - | 4  | JC6-C707-04-235 | 3-1546718-6 |
| 4              | 2.195 | 1.875 | - | - | - | - | - | -  | 4  | - | - | - | - | 4  | JC6-C707-04-207 | 2-1546718-6 |
| OBSOLETE       | 2.195 | 1.875 | - | - | - | - | - | -  | -  | - | - | - | - | 4  | JC6-C707-04     | 1-1546718-4 |
| 3              | 1.820 | 1.500 | - | - | - | - | - | 3  | 3  | - | - | - | - | 3  | JC6-C707-03-211 | 3-1546718-0 |
| 3              | 1.820 | 1.500 | - | - | - | - | - | 3  | -  | - | - | - | - | 3  | JC6-C707-03-210 | 2-1546718-9 |
| 3              | 1.820 | 1.500 | - | - | - | - | - | -  | 3  | - | - | - | - | 3  | JC6-C707-03-209 | 2-1546718-8 |
| 4              | 1.820 | 1.500 | - | - | - | - | - | -  | -  | - | - | - | - | 3  | JC6-C707-03     | 1-1546718-3 |
| 1              | 1.445 | 1.125 | - | - | - | - | - | -  | -  | 2 | - | - | - | 2  | JC6-C707-02-247 | 3-1546718-7 |
| 3              | 1.445 | 1.125 | - | - | - | - | - | 2  | 2  | - | - | - | - | 2  | JC6-C707-02-208 | 2-1546718-7 |
| OBSOLETE       | 1.445 | 1.125 | - | - | - | - | - | -  | -  | - | - | 2 | 2 | 2  | JC6-C707-02-180 | 2-1546718-5 |
| 4              | 1.445 | 1.125 | - | - | - | - | - | -  | -  | - | - | 2 | 2 | 2  | JC6-C707-02-179 | 2-1546718-4 |
|                | 1.445 | 1.125 | - | - | - | - | - | -  | -  | - | - | - | - | 2  | JC6-C707-02     | 1-1546718-2 |



3-1546718-5



3-1546718-6



3-1546718-9

THIS DRAWING IS A CONTROLLED DOCUMENT.

|      |             |         |
|------|-------------|---------|
| DWN  | S. SCHLEGEL | 12/7/04 |
| CHK  | S. YODER    | 12/7/04 |
| APVD | S. YODER    | 12/7/04 |

Tyco Electronics Corporation  
 Harrisburg, PA 17105-3608

JC6-C707-XX ASSEMBLY

SIZE: A2 CAGE CODE: 00779 C=1546718

SCALE: NTS SHEET: 1 of 1 REV: C