

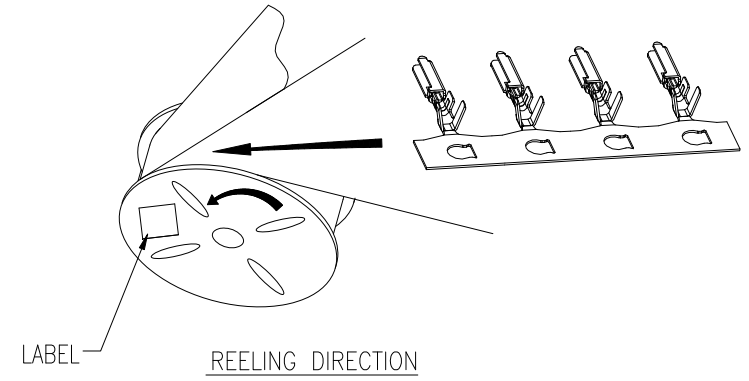
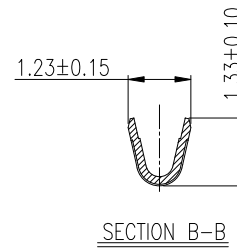
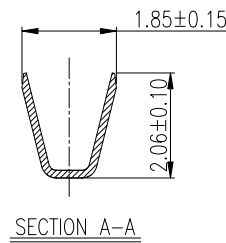
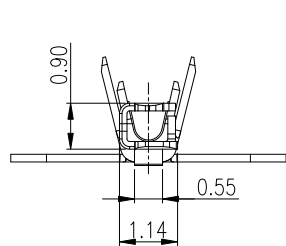
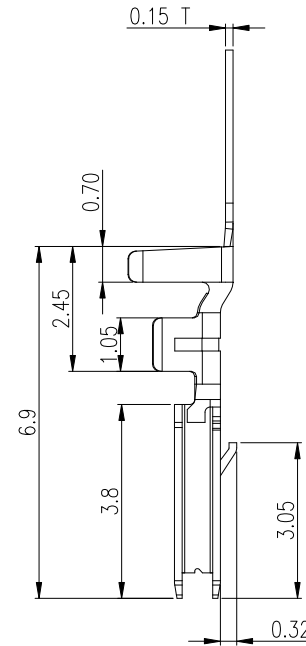
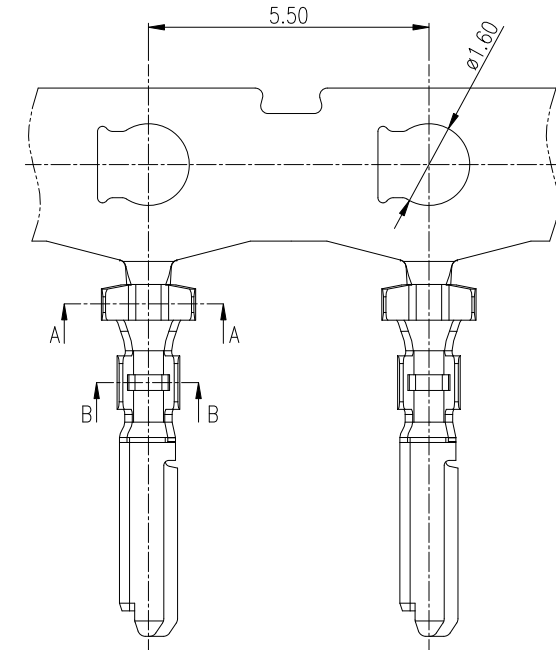
PRODUCT NUMBER
10135176-00XLF

NOTE:

1. MATERIAL: COPPER ALLOY
2. PLATING: Ni UNDERPLATED, SEE P/N FOR DETAIL PLATING ON CONTACT AREA AND CRIMPING AREA
3. APPLICABLE WIRES: AWG#28 TO AWG#24, WITH INSULATION O.D.: 0.78mm TO 1.28mm
5. RoHS COMPLIANT
6. PART NUMBER SCHEME:
10135176- 00 X LF

PLATING
1: TIN OVERALL

7. THE TERMINAL IS USED WITH FCI HSG 10135175, AND MATE WITH FCI RECEPTACLE CONNECTOR 10135177.
8. PRODUCT SPECIFICATION: GS-12-1321
9. PACKAGE SPECIFICATION: GS-14-2471



mat'l. code		surface	tolerance	projection	product family
ltr		tolerances unless otherwise specified		mm	MINITEK 1.5mm WTB
ecn no	dr	date	angles		title
A	TAI	2015-06-16	linear	mm	MINITEK 1.5mm WIRE CONNECTOR, PLUG CRIMP TERMINAL
			±2'		
					sheet 1 of 1
					size
					A4
					type
					CUSTOMER Drawing
sheet index	revision sheet	A	1		