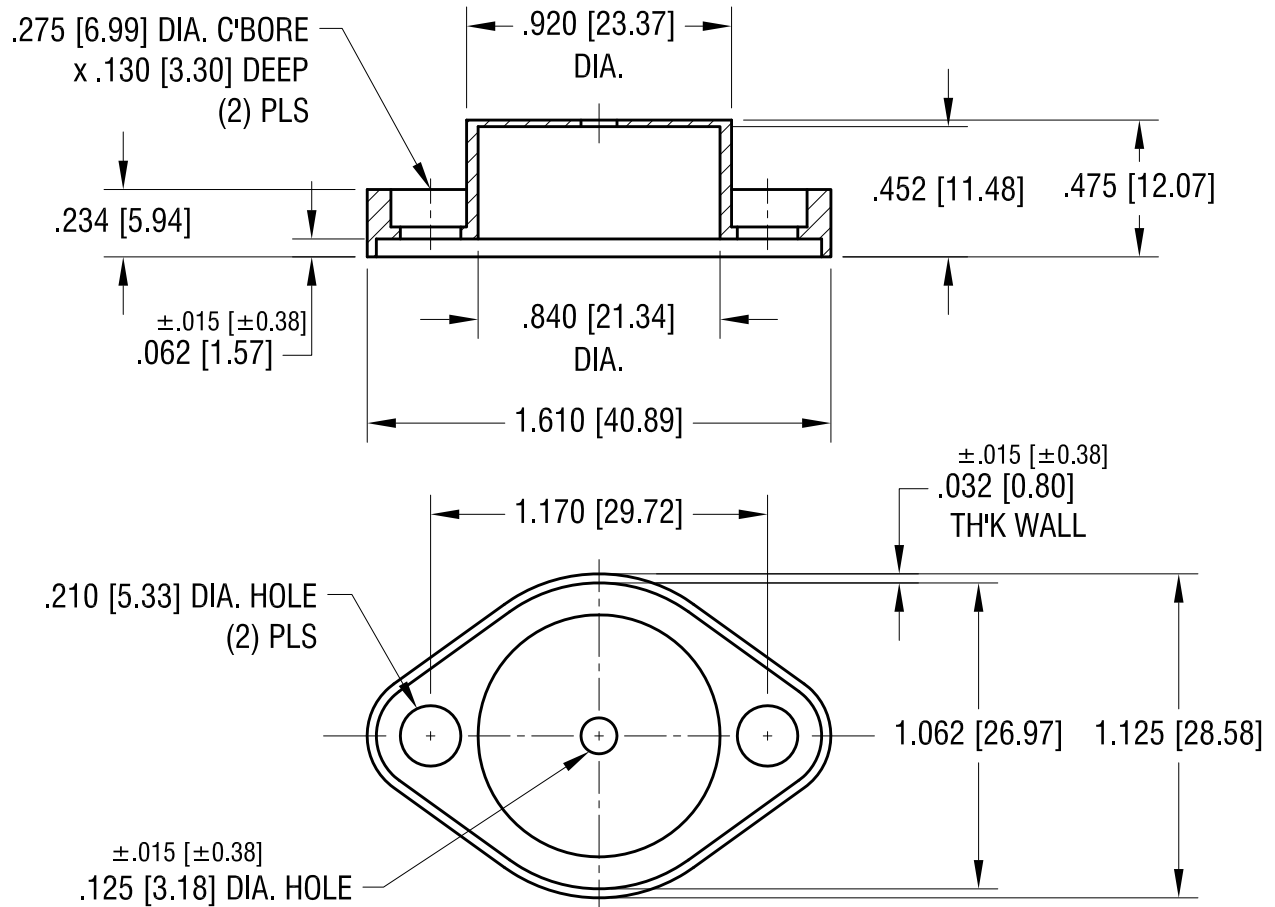


THIS DOCUMENT IS THE PROPERTY OF
KEYSTONE ELECTRONICS CORP. AND
SHALL NOT BE REPRODUCED, DISTRIBUTED
OR USED AS A BASIS FOR MANUFACTURE
WITHOUT PRIOR WRITTEN PERMISSION
FROM KEYSTONE ELECTRONICS CORP.



12.27.96	CHANGE AS PER ECR 96-059	B
11.22.94	CHANGE AS PER ECR 94-065	A
DATE	DESCRIPTION	REV.

KEYSTONE ELECTRONICS CORP.			
www.keyelco.com • ASTORIA, N.Y. 11105-2017 • Tel (718) 956-8900			
PART NAME			
TO-3 POWER TRANSISTOR COVER			
MATERIAL			
MOLDED NYLON			
FINISH		DRN BY	DATE
-		BOONE	11.8.82
		APP'D	SCALE
		LN	1.5X
TOLERANCES	INCH [MM]	CODE	DWG NO.
DECIMAL	$\pm .005 [\pm 0.13]$	C	4632
ANGULAR	$\pm 1^\circ$		
UNLESS OTHERWISE SPECIFIED			