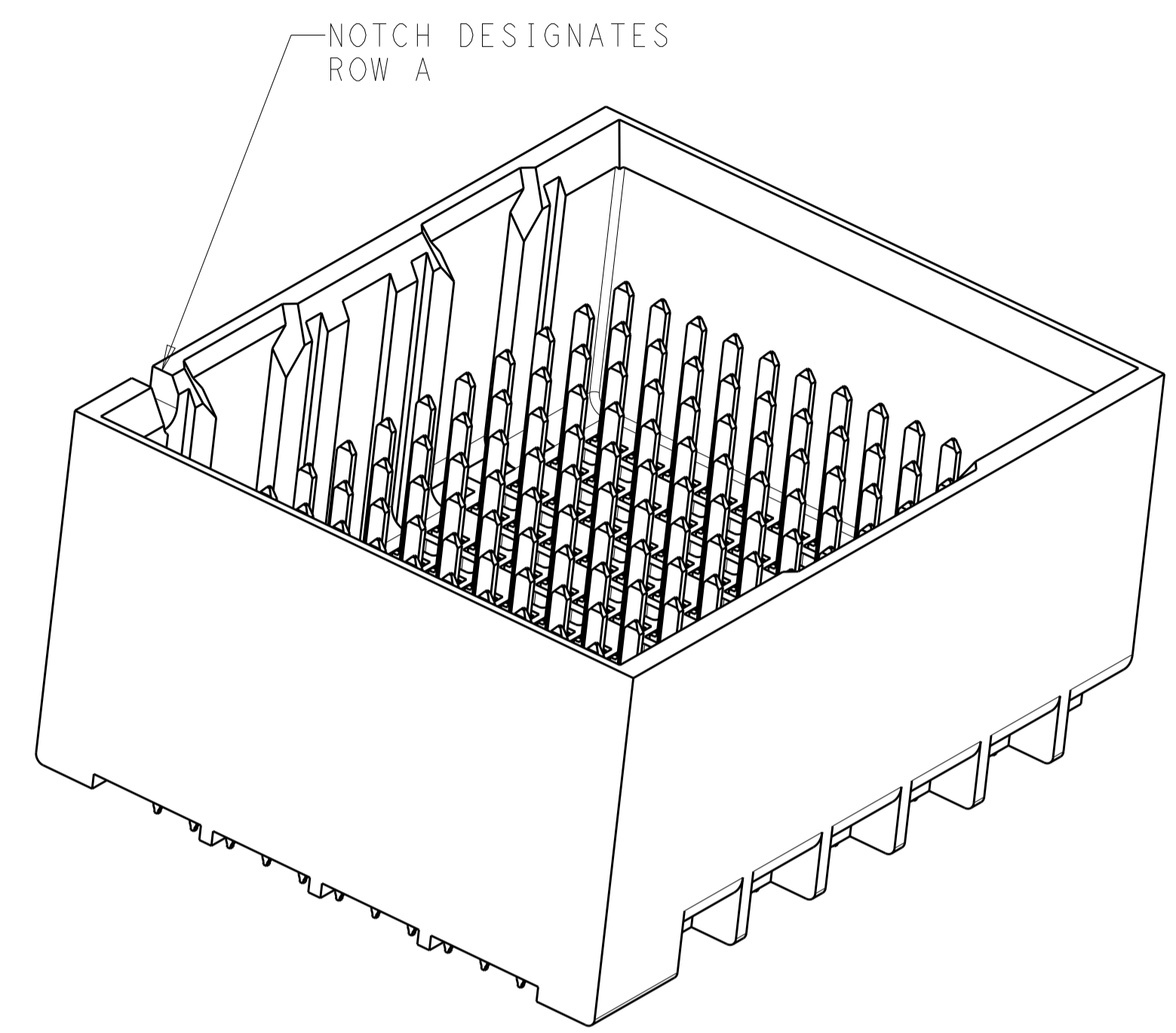
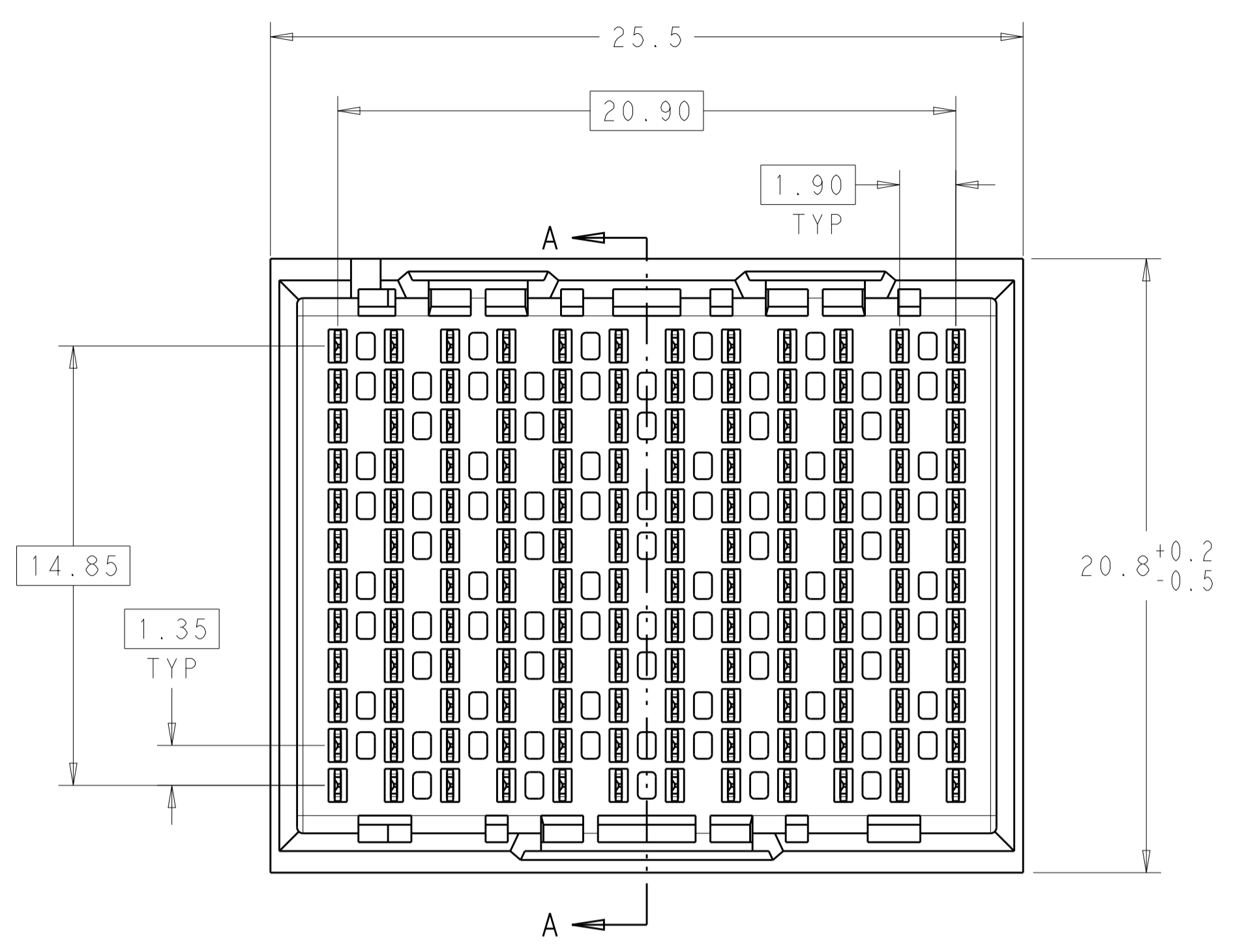
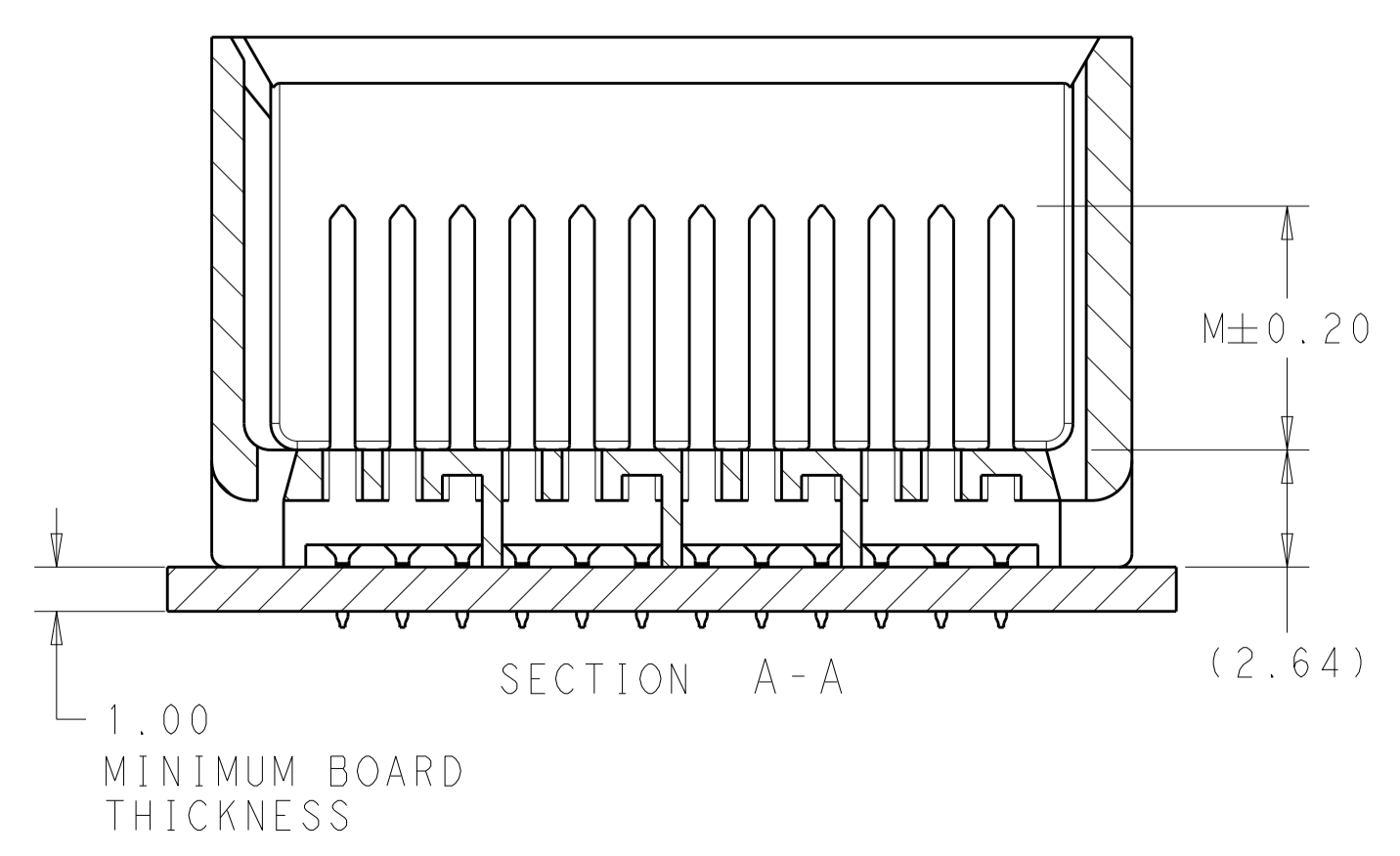
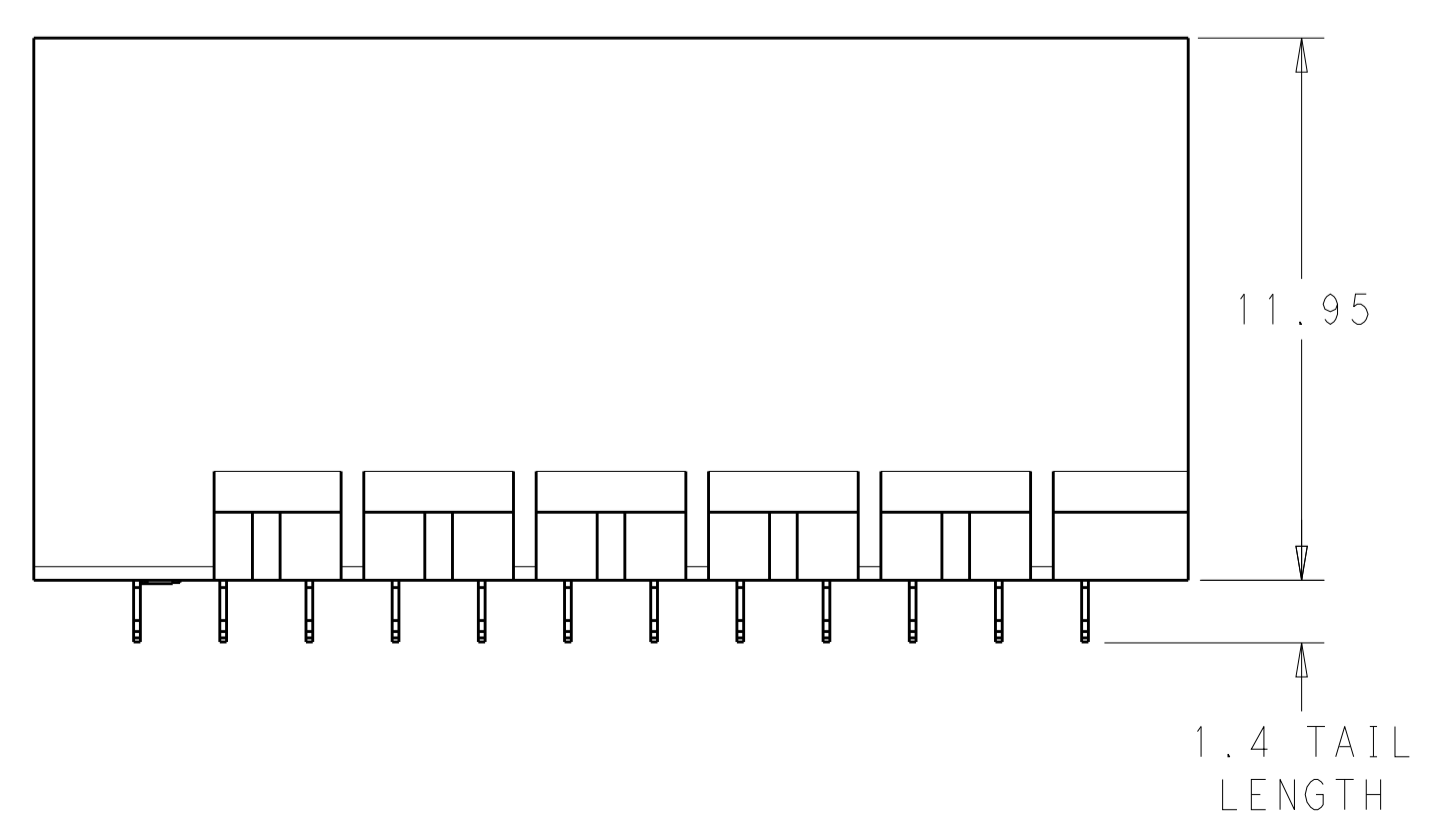
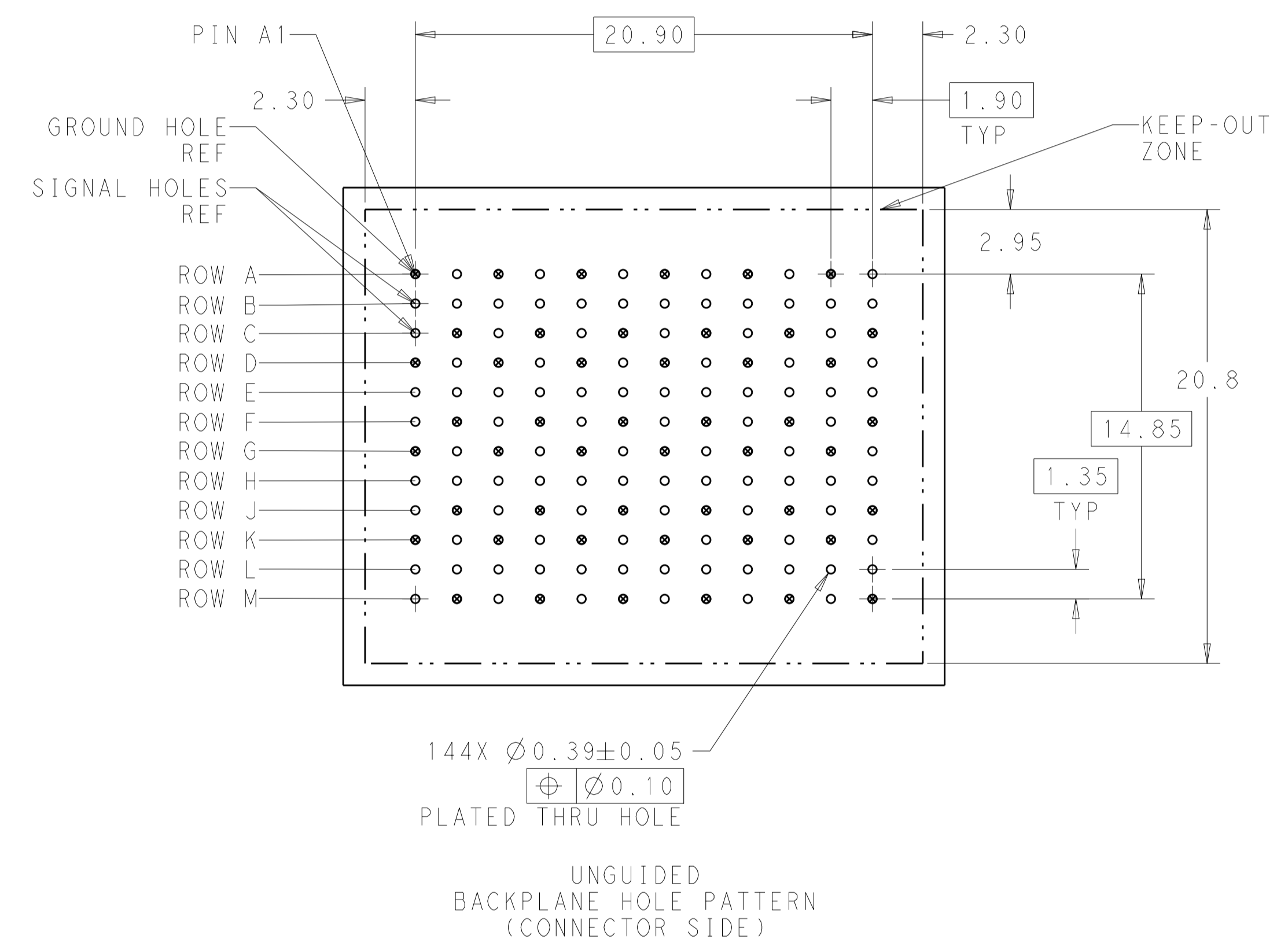


LOC		DIST		REVISIONS			
NO.	DATE	BY	CHK	DESCRIPTION	DATE	DWN	APVD
A1				REVISED PER ECO-15-001494	06FEB2015	AP	DD



⚠ MATERIAL:
HOUSING: LCP, GLASS FILLED, UL94V-0.
TERMINALS: HIGH PERFORMANCE COPPER ALLOY.

⚠ FINISH:
30μ" MIN GOLD IN CONTACT AREA. SELECTIVE TIN ON PCB TAILS, NICKEL OVERALL.



THIS DRAWING IS A CONTROLLED DOCUMENT.		DWN: B. CARBO 20JAN2012	TE Connectivity
DIMENSIONS: mm		CHK: D. YI 20JAN2012	
0 PLC ± 1 PLC ±0.25 2 PLC ±0.13 3 PLC ± 4 PLC ± ANGLES ±		APVD: D. YI 20JAN2012	
MATERIAL: SEE TABLE		PRODUCT SPEC	NAME: IMPACT, 4 PAIR, 12 COLUMN, HEADER UNGUIDED, DUAL END WALL SIGNAL MODULE, 0.39 PTH
FINISH: SEE TABLE		APPLICATION SPEC	SIZE: CAGE CODE DRAWING NO. RESTRICTED TO
CUSTOMER DRAWING		WEIGHT	A100779C=2149992
SCALE: 6:1		SHEET: 1 OF 2	REV: A1

THIS DRAWING IS UNPUBLISHED. RELEASED FOR PUBLICATION 20
 © COPYRIGHT 20 BY - ALL RIGHTS RESERVED.

LOC	DIST	REVISIONS					
		P	LTN	DESCRIPTION	DATE	DWN	APVD
AD	00	-		SEE SHEET 1	-	-	-

FINISH	DIM M	PART NUMBER
	5.5	2149992-3
	4.9	2149992-2
	4.5	2149992-1

REFER TO WWW.TE.COM
FOR PRODUCT AVAILABILITY

THIS DRAWING IS A CONTROLLED DOCUMENT.		DWN B. CARBO	20JAN2012	
DIMENSIONS:		CHK D. YI	20JAN2012	
mm		APVD D. YI	20JAN2012	
TOLERANCES UNLESS OTHERWISE SPECIFIED: 0 PLC ± 1 PLC ±0.25 2 PLC ±0.13 3 PLC ± 4 PLC ± ANGLES ±		NAME	IMPACT, 4 PAIR, 12 COLUMN, HEADER UNGUIDED, DUAL END WALL SIGNAL MODULE, 0.39 PTH	
		PRODUCT SPEC		
MATERIAL		APPLICATION SPEC		
FINISH		WEIGHT		
SEE TABLE		CUSTOMER DRAWING	SCALE	5:1
		SIZE	A1	CAGE CODE
		DRAWING NO	00779	DRAWING NO
		RESTRICTED TO	C=2149992	
		SHEET	2	OF 2
		REV	A1	