

4

3

2

1

THIS DRAWING IS UNPUBLISHED.

RELEASED FOR PUBLICATION

--

© COPYRIGHT - By -

ALL RIGHTS RESERVED.

LOC

DIST

REVISIONS

J

-

P

LTR

DESCRIPTION

DATE

DWN

APVD

A1

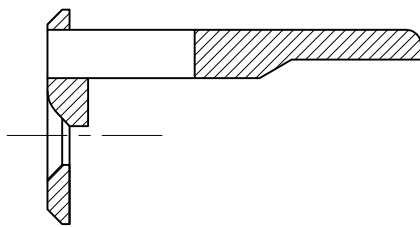
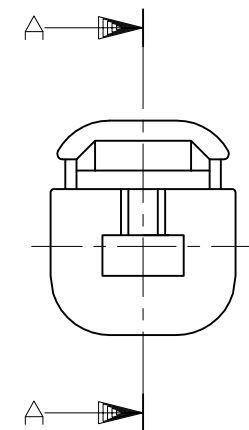
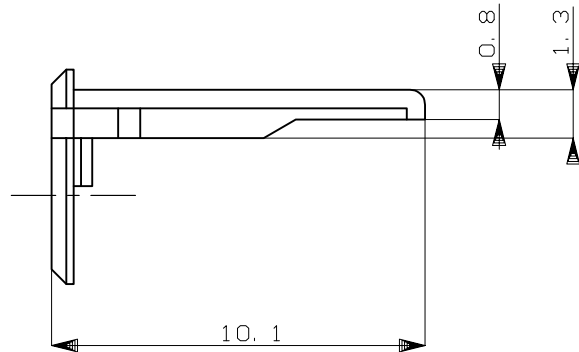
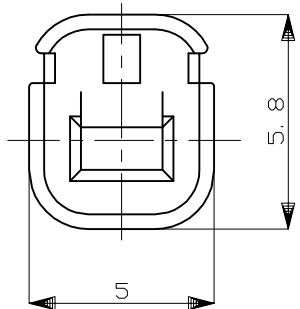
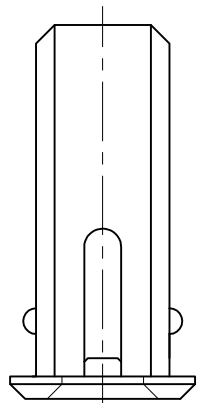
REVISED

ECR-15-000191

27JAN2015

TS

KB



SECTION 断面 A-A

1. 本品は、プラグハウジング型番174877に装着される。

1. TO BE MATED WITH PLUG HOUSING (PN 174877)

HB	自然色 (NATURAL)	1-174878-1
V-2	黄 (YELLOW)	174878-7
使用材料難燃グレード (FLAMMABILITY OF MATERIAL)	色 (COLOR)	型番 (PART NUMBER)

THIS DRAWING IS A CONTROLLED DOCUMENT.		DWN K.ODA 10/19'87	STE TE Connectivity	
DIMENSIONS: mm		CHK Y.MATSUSAKA 10/20'87		
TOLERANCES UNLESS OTHERWISE SPECIFIED:		APVD M.NOGUCHI 10/20'87	NAME	
0 PLC ± -		PRODUCT SPEC	1P. ECONOSEAL J-MARKII+ CONNECTOR DOUBLE LOCK PLATE FOR PLUG HOUSING	
1 PLC ± -		APPLICATION SPEC	108-5262	
2 PLC ± -		WEIGHT	SIZE	CAGE CODE
3 PLC ± -		PBT	A3	00779
4 PLC ± -			DRAWING NO	C=174878
ANGLES ± -		FINISH	RESTRICTED TO	
GENERAL TOLERANCE		CUSTOMER DRAWING	SCALE	SHEET
0 < * ≤ 10 : ±0.2			5:1	1 of 1
10 < * ≤ 30 : ±0.25				REV
30 < * ≤ 100 : ±0.3				A1
ANGLES : ±3°				